

# KBTU36MW




Product family	Hood
Hood Type	Decorative wall hood
Design	T flat
Extraction	Extraction
Electronic control	Yes
Material	Stainless steel
Type of steel	Brushed
EAN code	8017709351526
Hood width	36 "
Aesthetic	Universale
Colour	Stainless steel
Logo	Embossed



## Controls

Control setting	Touch control back-lighted White
-----------------	-------------------------------------

## Program / Functions

No. of speeds	3
Intensive speed	
24h air filter function	
Time-setting options	

## Technical Features



No. of lights	2	No. of filters	3
Light type	LED	Anti-grease filters	Aluminium
Light Power	1.3 W	Filter replacement indicator	Yes
Dimmer mode	Yes	Vent outlet	5 7/8 "
Light color temperature scale (°K)	3000 °K	Minimum distance from GAS hob	750 "
Free outlet maximum capacity	553.5 CFM	Minimum distance from ELECTRIC hob	650 "
Motor power	350 W	Non return valve	Yes

---

	□	□
--	---	---

### Accessories Included

---

Tube reduction                      Yes

### Performance / Energy Label

---

Annual Efficiency                      54 KWh/year  
Consumption (AEChood)

### Electrical Connection

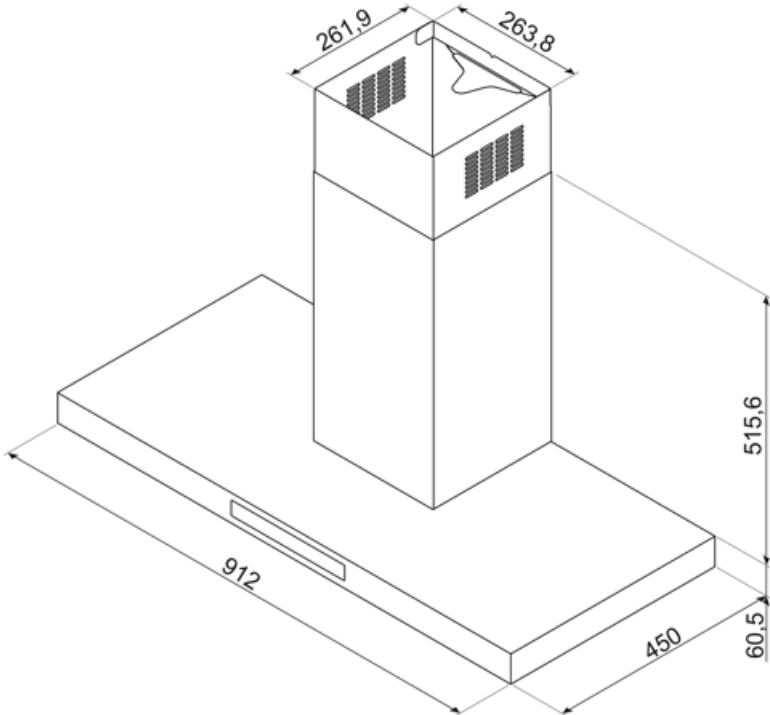
---

Plug	(B) NEMA 5-15P	Frequency (Hz)	60 Hz
Voltage	110-127 V	Power supply cable length	1500 "

### Also available

---

Alternative colours available                      Matt white, Matt Black



---

## Compatible Accessories

---

FLT6U



---

## Alternative products

---



**KBTU36AN**

**Colour: Anthracite**



**KBTU36X**

**Colour: Stainless steel**

---

## Symbols glossary

---

- |  |   |   |   |
|--|---|---|---|
|  | 24h: When selected this function refreshes the air for c. 10 minutes every hour over a 24 hour period, at minimum speed and an imperceptible noise level. |  | Filters: Model has filters to help remove grease from the steam emanating from the pans during cooking. |
|  | Switch off automatically: A special setting, to run after the end of cooking for a pre-set time and then switch off automatically.                        |  | Warning light(s): to advise when filters need changing.   |
|  | Lights: All cooker hoods feature lights to illuminate the cooking area or add to the ambience of the kitchen.   |  | Intensive/turbo setting: when extra fast extraction is required.  |
|  | Dimmering Lights  |   |   |

---

## Benefit (TT)

---

### **Touch display back lighted white**

Intuitive and immediate usability thanks to the elegant white LED backlit touch display