



KitchenAid® 5.3 Cu. Ft. Slide-in Electric Range with Two Even-Heat™ Hyper Elements and Convection Cooking Modes

YKSES530SJP

Available Finishes/Colours



YKSES530SPS
FingerPrint Resistant
Stainless Steel



YKSES530SJP
Juniper



YKSES530SBE
Black Ore



YKSES530SPL
Porcelain

Enjoy a range of possibilities with our most powerful KitchenAid 30-inch Electric Range available. Two Even-Heat™ Hyper Elements offer precise control and the versatility to take on large pots or small pans for various cooking tasks. A WiFi-enabled Smart Appliance featuring Convection Cooking Modes that help you get consistent results with optimal temperatures. A Steam Bake mode works with the included steam rack to provide additional moisture during baking, so you can enjoy Basque cheesecake and other delicious desserts. The range is designed to be personalized with a curated palette of exterior finishes and mixed metal hardware.

Top Features

Most Powerful KitchenAid 30-Inch Electric Range Available

Two Even-Heat™ Hyper Elements

Convection Cooking Modes

Manuals & Literature:

 [Dimension Guide](#)  [Energy Guide](#)

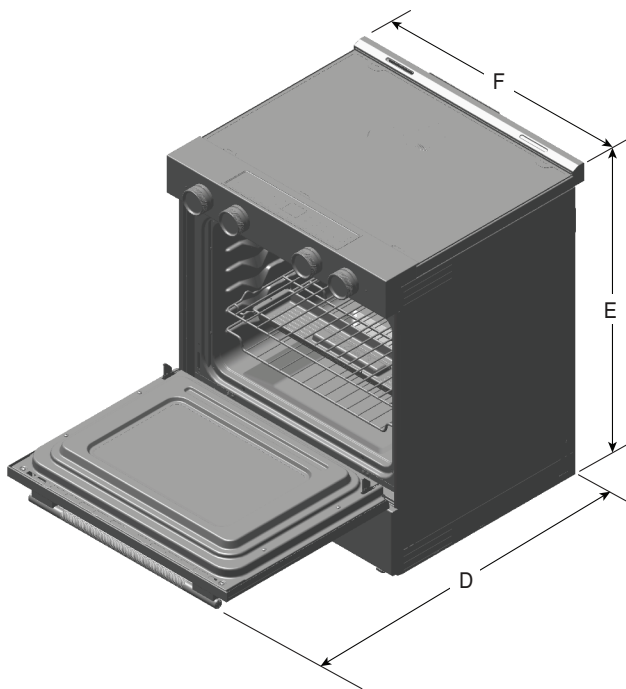
 [Owners Manual](#)  [Warranty Information](#)

Dimensions		Details	
Depth	25.4	Bake Element Power	2400W
Height	36.6	Number Of Rack Guides	5
Width	29.9	Rack Guide Type	Embossed
Details		Oven Rack Type	Max Capacity; Steam Rack
Automatic Shut Off	Yes	Oven Light Type	Halogen
Number Of Oven Racks	2	Oven Light Switch Location	Oven Control
Number Of Oven Lights	1	Oven Interior Width In Inches	24.2
Interior Color	Blue Graphite	Oven Interior Depth In Inches	19.0
Hidden Bake Element	Hidden	Oven Cooking System	True Convection
Cooktop Surface Material	Glass	Oven Control Type	Electronic Touch
Convection Functions	No		
Convection Element Type	True-Bow Tie		
Broiler Location	Top Center		
Broiler Element Power	3400W		

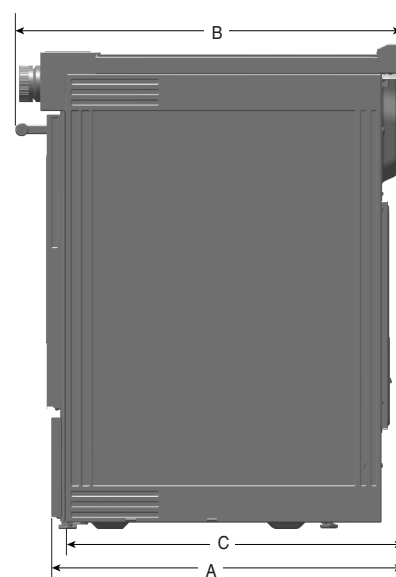
KITCHENAID® FRONT CONTROL ELECTRIC RANGE

PRODUCT: KSES530S*, YKSES530S*, KSES330SPS*, YKSES330SPS*, KSES430SPS*, YKSES430SPS*

KSES530S*, YKSES530S*, KSES330SPS*, YKSES330SPS*, KSES430SPS*, YKSES430SPS*			
Legend	Description	in	cm
A	Depth Closed Excluding Handle	27.4	69.6
B	Depth Closed Including Handle	29.2	74.17
C	Depth Excluding Doors	25.4	64.52
D	Depth with Door Open 90°	47.9	121.67
E	Maximum Height	38.1	96.77
E	Minimum Height	36.6	92.96
F	Width	29.9	75.95



ANGLED VIEW



SIDE VIEW

IMPORTANT: Dimensional specifications are provided for planning purposes only. Do not make any cutouts based on this information. Refer to the Owner's Manual before selecting cabinetry, verifying electrical/gas connections, making cutouts or beginning installation.

Location Requirements

IMPORTANT: Observe all governing codes and ordinances.

- It is the installer's responsibility to comply with installation clearances specified on the model/serial/rating plate. The model/serial/rating plate is located behind the oven door on the top right-hand side of the oven frame.
- To eliminate the risk of burns or fire by reaching over the heated surface units, cabinet storage space located above the surface units should be avoided. If cabinet storage is to be provided, the risk can be reduced by installing a range hood or microwave hood combination that projects horizontally a minimum of 5" (12.7 cm) beyond the bottom of the cabinets.
- The range should be located for convenient use in the kitchen.
- Recessed installations must provide complete enclosure of the sides and rear of the range.
- All openings in the wall or floor where range is to be installed must be sealed.
- Cabinet opening dimensions that are shown must be used. Given dimensions are minimum clearances.
- The anti-tip bracket must be installed. To install the anti-tip bracket shipped with the range, see the "Install Anti-Tip Bracket" section.
- Grounded electrical supply is required. See the appropriate "Electrical Requirements" section.
- Contact a qualified floor covering installer to check that the floor covering can withstand at least 200°F (93°C).
- Use an insulated pad or 1/4" (6.4 mm) plywood under range if installing range over carpeting.

IMPORTANT: To avoid damage to your cabinets, check with your builder or cabinet supplier to make sure that the materials used will not discolor, delaminate, or sustain other damage. This oven has been designed in accordance with the requirements of UL and CSA International and complies with the maximum allowable wood cabinet temperatures of 194°F (90°C).

Mobile Home - Additional Installation Requirements

The installation of this range must conform to the Manufactured Home Construction and Safety Standard, Title 24 CFR, Part 3280 (formerly the Federal Standard for Mobile Home Construction and Safety, Title 24, HUD Part 280). When such standard is not applicable, use the Standard for Manufactured Home Installations, ANSI A225.1/NFPA 501A or with local codes.

In Canada, the installation of this range must conform with the current standards CAN/CSA-Z240.1 - latest edition, or with local codes.

Mobile Home Installations Require:

- When this range is installed in a mobile home, it must be secured to the floor during transit. Any method of securing the range is adequate as long as it conforms to the standards listed above.
- Four-wire power supply cord or cable must be used in a mobile home installation.

Cabinet Dimensions

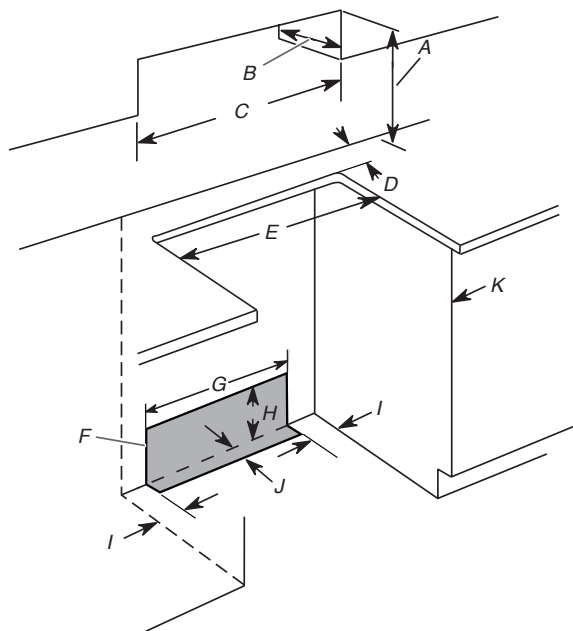
Cabinet opening dimensions shown are for 25" (64.0 cm) countertop depth, 24" (61.0 cm) base cabinet depth and 36" (91.4 cm) countertop height.

IMPORTANT: If installing a range hood or microwave hood combination above the range, follow the range hood or microwave hood combination installation instructions for dimensional clearances above the cooktop surface.

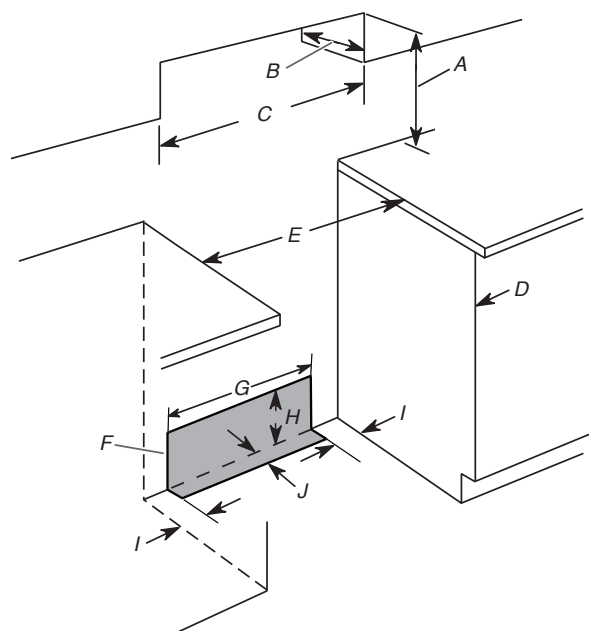
Range may be installed next to combustible walls with zero clearance.

NOTE: When installed in a slide-in cutout, the front of oven door may protrude beyond the base cabinet.

Slide-In Cutout



Freestanding Cutout



- A. For minimum clearance to top of cooktop, see NOTE*.
- B. 13" (33 cm) maximum upper cabinet depth
- C. 30" (76.2 cm) minimum opening width
- D. Remaining counter depth should not exceed 2¹/₄" (5.7 cm).
- E. In U.S.A. and Canada: 30" (76.2 cm) minimum opening width
- F. The shaded area is recommended for installation of grounded outlet
- G. 13¹/₈" (33.3 cm)
- H. 7¹¹/₁₆" (19.5 cm)
- I. 4¹³/₁₆" (12.2 cm)
- J. 3¹¹/₁₆" (9.4 cm) plus measurement of L
- K. Cabinet door or hinges should not extend into the cutout.


- A. For minimum clearance to top of cooktop, see NOTE*.
- B. 13" (33 cm) maximum upper cabinet depth
- C. 30" (76.2 cm) minimum opening width
- D. Cabinet door or hinges should not extend into the cutout.
- E. In U.S.A. and Canada: 30" (76.2 cm) minimum opening width
- F. The shaded area is recommended for installation of grounded outlet.
- G. 13¹/₈" (33.3 cm)
- H. 7¹¹/₁₆" (19.5 cm)
- I. 4¹³/₁₆" (12.2 cm)
- J. 3¹¹/₁₆" (9.4 cm)

***NOTE:** 24" (61.0 cm) minimum when bottom of wood or metal cabinet is shielded by not less than 1/4" (0.64 cm) flame retardant millboard covered with not less than No. 28 MSG sheet steel, 0.015" (0.4 mm) stainless steel, 0.024" (0.6 mm) aluminum or 0.020" (0.5 mm) copper.

30" (76.2 cm) minimum clearance between the top of the cooking platform and the bottom of an uncovered wood or metal cabinet.

Electrical Requirements - U.S.A. Only

⚠ WARNING



Electrical Shock Hazard

Electrically ground appliance.

Failure to do so could result in death, fire, or electrical shock.

If codes permit and a separate ground wire is used, it is recommended that a qualified electrical installer determine that the ground path and wire gauge are in accordance with local codes.

Do not use an extension cord.

Be sure that the electrical connection and wire size are adequate and in conformance with the National Electrical Code, ANSI/NFPA 70 - latest edition and all local codes and ordinances.

A copy of the above code standards can be obtained from:

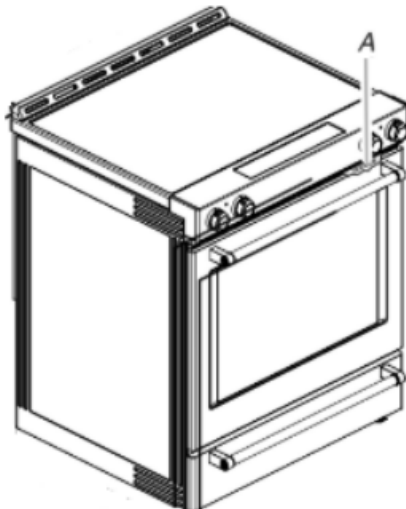
National Fire Protection Association
1 Batterymarch Park
Quincy, MA 02169-7471

WARNING: Improper connection of the equipment-grounding conductor can result in a risk of electric shock. Check with a qualified electrician or service technician if you are in doubt as to whether the appliance is properly grounded. Do not modify the power supply cord plug. If it will not fit the outlet, have a proper outlet installed by a qualified electrician.

Electrical Connection

To properly install your range, you must determine the type of electrical connection you will be using and follow the instructions provided for it here.

- Range must be connected to the proper electrical voltage and frequency as specified on the model/serial/rating plate. The model/serial/rating plate is located behind the oven door on the top right-hand side of the oven frame.



A. Model/serial/rating plate (located behind the oven door on the top right-hand side of the oven frame)

- This range is manufactured with the neutral terminal connected to the cabinet. Use a 3-wire, UL listed, 40 A or 50 A power supply cord (pigtail). See the following Range Rating chart. If local codes do not permit ground through the neutral, use a 4-wire power supply cord rated at 250 V, 40 A or 50 A and investigated for use with ranges.

Range Rating*		Specified Rating of Power Supply Cord Kit and Circuit Protection
120/240 V	120/208 V	Ampere
8.8-16.5 kW	7.8-12.5 kW	40 or 50**
16.6-22.5 kW	12.6-18.5 kW	50**

*The NEC calculated load is less than the total connected load listed on the model/serial/rating plate.

**For 50 A rated cord kits, use kits that specify use with a nominal 1³/₈" (34.9 mm) diameter connection opening.

- A circuit breaker is recommended.
- The range can be connected directly to the circuit breaker box (or fused disconnect) through flexible or nonmetallic sheathed, copper or aluminum cable. See the "Electrical Connection - U.S.A. Only" section.
- Allow at least 6 ft (182.9 cm) of slack in the line so that the range can be moved if servicing is ever necessary.
- A UL listed conduit connector must be provided at each end of the power supply cable (at the range and at the junction box).
- Wire sizes and connections must conform with the rating of the range.

If connecting to a 3-wire system:

Local codes may permit the use of a UL listed, 3-wire, 250 V, 40 A or 50 A range power supply cord (pigtail). This cord contains 3 copper conductors with ring terminals or open-end spade terminals with upturned ends, terminating in a NEMA Type 10-50P plug on the supply end. Connectors on the appliance end must be provided at the point the power supply cord enters the appliance. This uses a 3-wire receptacle of NEMA Type 10-50R.



3-wire receptacle (10-50R)

If connecting to a 4-wire system:

This range is manufactured with the ground connected to the neutral by a link. The ground must be revised so the green ground wire of the 4-wire power supply cord is connected to the cabinet. See the "Electrical Connection - U.S.A. Only" section.

Grounding through the neutral conductor is prohibited for new branch-circuit installations (1996 NEC); mobile homes; and recreational vehicles, or an area where local codes prohibit grounding through the neutral conductor.

When a 4-wire receptacle of NEMA Type 14-50R is used, a matching UL listed, 4-wire, 250 V, 40 A or 50 A, range power supply cord (pigtail) must be used. This cord contains 4 copper conductors with ring terminals or open-end spade terminals with upturned ends, terminating in a NEMA Type 14-50P plug on the supply end.

The fourth (grounding) conductor must be identified by a green or green/yellow cover and the neutral conductor by a white cover. Cord should be Type SRD or SRDT with a UL listed strain relief and be at least 4 ft (1.22 m) long.



4-wire receptacle (14-50R)

The minimum conductor sized for the copper 4-wire power cord are:

- 40 A circuit
- 2 No.-8 conductors
- 1 No.-10 white neutral
- 1 No.-10 green grounding

Electrical Requirements - Canada Only

⚠ WARNING

Electrical Shock Hazard

Electrically ground appliance.

Failure to do so could result in death, fire, or electrical shock.

If codes permit and a separate ground wire is used, it is recommended that a qualified electrical installer determine that the ground path is adequate and wire gauge are in accordance with local codes.

Be sure that the electrical connection and wire size are adequate and in conformance with CSA Standard C22.1, Canadian Electrical Code, Part 1 - latest edition, and all local codes and ordinances.

A copy of the above code standards can be obtained from:
 Canadian Standards Association
 178 Rexdale Blvd.
 Toronto, ON M9W 1R3 CANADA

- Check with a qualified electrical installer if you are not sure the range is properly grounded.

Range Rating*		Specified Rating of Power Supply Cord Kit and Circuit Protection
120/240 V	120/208 V	Ampere
8.8-16.5 kW	7.8-12.5 kW	40 or 50**
16.6-22.5 kW	12.6-18.5 kW	50**

*The NEC calculated load is less than the total connected load listed on the model/serial/rating plate.

**For 50 A rated cord kits, use kits that specify use with a nominal 1³/₈" (34.9 mm) diameter connection opening.

- When a 4-wire, single phase 250 V, 60 Hz, AC-only electrical supply is available, a 40 A minimum circuit protection is required on 30" (76.2 cm) ranges, fused on both sides of the line.
- A circuit breaker is recommended.
- This range is equipped with a UL or CSA International Certified Power Cord intended to be plugged into a standard 14-50R wall receptacle. Be sure the wall receptacle is within reach of range's final location.

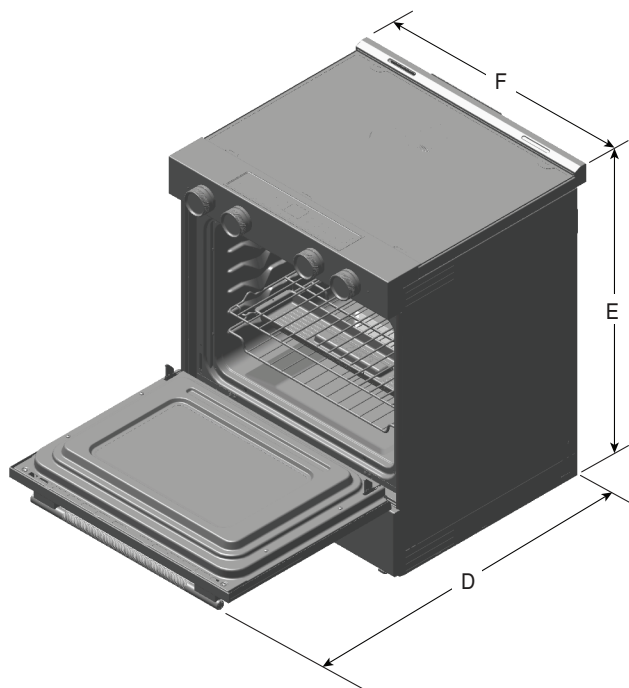


- Do not use an extension cord.

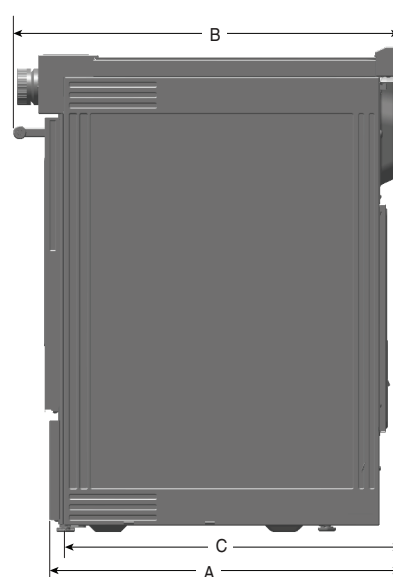
CUISINIÈRE ÉLECTRIQUE AVEC COMMANDE À L'AVANT KITCHENAID®

PRODUIT : KSES530S*, YKSES530S*, KSES330SPS*, YKSES330SPS*, KSES430SPS*, YKSES430SPS*

KSES530S*, YKSES530S*, KSES330SPS*, YKSES330SPS*, KSES430SPS*, YKSES430SPS*			
Légende	Description	po	cm
A	Profondeur, fermé sans poignée	27,4	69,6
B	Profondeur, fermé avec poignée	29,2	74,17
C	Profondeur sans les portes	25,4	64,52
D	Profondeur avec porte ouverte à 90°	47,9	121,67
E	Hauteur maximum	38,1	96,77
E	Hauteur minimum	36,6	92,96
F	Largeur	29,9	75,95



VUE EN ANGLE



VUE LATÉRALE

IMPORTANT : Les spécifications dimensionnelles sont fournies uniquement à des fins de planification.

Ne faire aucune découpe sur la base de cette information. Se référer au manuel de l'utilisateur avant de choisir une armoire, de vérifier les connexions électriques/au gaz, d'effectuer des coupes ou de commencer l'installation.

Exigences d'emplacement

IMPORTANT : Observer les dispositions de tous les codes et règlements en vigueur.

- C'est à l'installateur qu'incombe la responsabilité de respecter les distances de séparation spécifiées sur la plaque signalétique. La plaque signalétique se trouve derrière la porte du four, dans le coin supérieur droit du châssis.
- Pour éliminer les risques de brûlure ou d'incendie en se penchant au-dessus d'une surface qui chauffe, il est déconseillé d'utiliser l'espace de rangement des armoires situées au-dessus de l'appareil. Si des armoires de rangement sont prévues, le risque peut être réduit par l'installation d'une hotte de cuisinière ou d'un ensemble hotte/micro-ondes dépassant horizontalement de 5 po (12,7 cm) au moins par rapport au bas des armoires.
- La cuisinière doit être installée à un endroit pratique dans la cuisine.
- Dans le cas d'une cuisinière encastrée, l'enceinte doit recouvrir complètement les côtés et l'arrière de la cuisinière.
- Toutes les ouvertures dans le mur ou le plancher de l'emplacement d'installation de la cuisinière doivent être scellées.
- Les dimensions d'ouverture de l'armoire indiquées doivent être utilisées. Ces dimensions constituent les valeurs minimums des dégagements.
- La bride antibasculement doit être installée. Pour l'installation de la bride antibasculement fournie avec la cuisinière, voir la section « Installation de la bride antibasculement ».
- Une source d'électricité avec liaison à la terre est nécessaire. Voir la section « Spécifications électriques » correspondante.
- Demander à un installateur de revêtement de sol qualifié de vérifier que le revêtement de plancher peut supporter une température de 200 °F (93 °C).
- Dans le cas de l'installation de la cuisinière sur une moquette, placer sous la cuisinière un tapis isolant ou une plaque de contreplaqué de 1/4 po (6,4 mm).

IMPORTANT : Pour éviter d'endommager vos armoires, vérifier avec le fabricant ou le fournisseur d'armoires pour s'assurer que les matériaux utilisés ne décoloreront et ne délamineront pas ou ne subiront pas d'autres dommages. Ce four a été conçu conformément aux exigences des normes UL et CSA International et respecte les températures maximums permises de 194 °F (90 °C) pour les armoires en bois.

Résidence mobile – Spécifications supplémentaires à respecter lors de l'installation

L'installation de cette cuisinière doit s'effectuer conformément à la norme Manufactured Home Construction Safety Standards, Title 24 CFR, Part 3280 (anciennement Federal Standard for Mobile Home Construction and Safety, title 24, HUD, Part 280). Lorsque cette norme n'est pas applicable, utiliser la norme Standard for Manufactured Home Installations, ANSI A225.1/NFPA 501A ou les dispositions des codes locaux.

Au Canada, l'installation de cette cuisinière doit satisfaire aux stipulations de la version la plus récente de la norme CAN/CSA-Z240.1, ou des codes locaux en vigueur.

Critères à respecter pour une installation en résidence mobile :

- Dans le cas de l'installation de cette cuisinière dans une résidence mobile, la cuisinière doit être fixée au plancher durant tout déplacement du véhicule. Toute méthode pour fixer de façon sécuritaire la cuisinière est adéquate dès qu'elle respecte les normes mentionnées plus haut.
- Un cordon ou un câble d'alimentation à 4 fils doit être utilisé lors d'une installation dans une maison mobile.

Dimensions de l'armoire

Les dimensions de l'espace entre les armoires correspondent à une installation entre des armoires de 24 po (61,0 cm) de profondeur, avec comptoir de 25 po (64,0 cm) de profondeur et de 36 po (91,4 cm) de hauteur.

IMPORTANT : En cas d'installation d'une hotte ou d'un ensemble hotte/micro-ondes au-dessus de la cuisinière, suivre les instructions fournies avec la hotte ou l'ensemble hotte/micro-ondes concernant les dimensions de dégagement à respecter au-dessus de la surface de la table de cuisson.

La cuisinière peut être installée sans dégagement près de murs fabriqués de matières combustibles.

REMARQUE : Lorsqu'une cuisinière encastrée est glissée dans une ouverture prévue à cet effet, l'avant de la porte du four peut dépasser de l'armoire.



- A. Pour le dégagement minimum vers la partie supérieure de la table de cuisson, voir la REMARQUE*.
- B. 13 po (33 cm) maximum de profondeur de l'armoire supérieure
- C. 30 po (76,2 cm) minimum de largeur d'ouverture
- D. La profondeur restante du comptoir ne doit pas dépasser 2 1/4 po (5,7 cm).
- E. Aux États-Unis et au Canada : 30 po (76,2 cm) minimum de largeur d'ouverture
- F. Il est recommandé d'effectuer l'installation de la prise de courant électrique dans cette zone grisée
- G. 13 1/8 po (33,3 cm)
- H. 7 11/16 po (19,5 cm)
- I. 4 13/16 po (12,2 cm)
- J. 3 11/16 po (9,4 cm) plus la mesure de L
- K. La porte ou les charnières de l'armoire ne doivent pas dépasser à l'intérieur de l'ouverture.

- A. Pour le dégagement minimum vers la partie supérieure de la table de cuisson, voir la REMARQUE*.
- B. 13 po (33 cm) maximum de profondeur de l'armoire supérieure
- C. 30 po (76,2 cm) minimum de largeur d'ouverture
- D. La porte ou les charnières de l'armoire ne doivent pas dépasser à l'intérieur de l'ouverture.
- E. Aux États-Unis et au Canada : 30 po (76,2 cm) minimum de largeur d'ouverture
- F. Il est recommandé d'effectuer l'installation de la prise de courant électrique dans cette zone grisée.
- G. 13 1/8 po (33,3 cm)
- H. 7 11/16 po (19,5 cm)
- I. 4 13/16 po (12,2 cm)
- J. 3 11/16 po (9,4 cm)

***REMARQUE :** Distance de séparation de 24 po (61,0 cm) ou plus lorsque le fond d'une armoire de bois ou de métal est protégée par une planche ignifugée d'au moins 1/4 po (0,64 cm) recouverte d'une feuille métallique d'épaisseur égale ou supérieure à : acier calibre 28 MSG, acier inoxydable 0,015 po (0,4 mm), aluminium 0,024 po (0,6 mm) ou cuivre 0,020 po (0,5 mm). Distance de séparation minimale de 30 po (76,2 cm) ou plus entre le dessus de la table de cuisson et le fond d'une armoire de bois ou de métal non protégée.

Spécifications électriques – É.-U. seulement

⚠ AVERTISSEMENT



Risque de décharge électrique

Appareil relié à la terre.

Le non-respect de ces instructions peut causer un décès, un incendie ou une décharge électrique.

Si les codes le permettent et qu'un fil de mise à la terre séparé est utilisé, nous recommandons qu'un électricien qualifié détermine si le trajet du fil et son calibre respectent les codes locaux.

Ne pas utiliser de câble de rallonge.

S'assurer que le raccordement électrique est adéquat et conforme au code national de l'électricité, ANSI/NFPA 70 dernière édition et à tous les codes et règlements locaux en vigueur.

Pour obtenir un exemplaire des normes des codes ci-dessus, contacter :

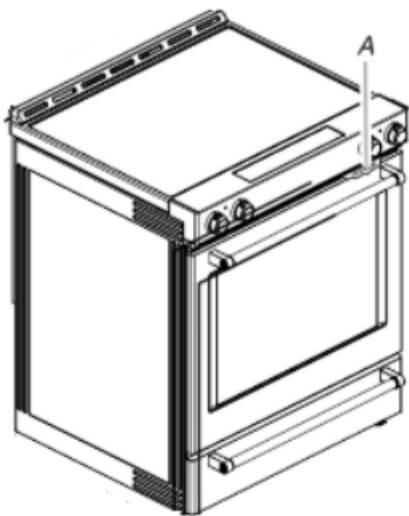
National Fire Protection Association
1 Batterymarch Park
Quincy, MA 02169-7471

AVERTISSEMENT : Un raccordement inapproprié du conducteur de mise à la terre de l'équipement peut causer un risque de décharge électrique. Vérifier avec un électricien ou un technicien de dépannage qualifié en cas de doute quant à la qualité de la liaison à la terre de l'appareil. Ne pas modifier la prise du cordon d'alimentation. Si elle ne correspond pas à la prise de sortie, faire installer une prise appropriée par un électricien qualifié.

Raccordement électrique

Pour installer la cuisinière de façon appropriée, il faut établir le type de raccords électriques qui sera utilisé et suivre les instructions de ce document.

- La cuisinière doit être alimentée par une source d'électricité et une tension appropriées, comme spécifié sur la plaque signalétique. La plaque signalétique se trouve derrière la porte du four, dans le coin supérieur droit du châssis.



A. Plaque signalétique (située derrière la porte du four, dans le coin supérieur droit du châssis)

- La borne du neutre de cette cuisinière est raccordée à la caisse. Utiliser un cordon d'alimentation électrique (raccord flexible) à 3 fils homologué UL, pour 40 A ou 50 A. Voir le tableau de la puissance nominale de la cuisinière. Si les codes locaux interdisent le raccordement de la terre au neutre, utiliser un cordon d'alimentation électrique à 4 fils de 250 V, 40 A ou 50 A en nominal et dont l'utilisation avec les cuisinières a été testée.

Puissance nominale de la cuisinière*	Puissance nominale spécifiée du cordon d'alimentation et de la protection du circuit	Courant
120/240 V	120/208 V	
8,8–16,5 kW	7,8–12,5 kW	40 ou 50**
16,6–22,5 kW	12,6–18,5 kW	50**

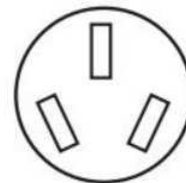
*La charge NEC calculée est inférieure à la charge totale connectée indiquée sur la plaque signalétique.

**Pour les ensembles avec cordon de 50 A nominal, utiliser des trouses conçues pour être utilisées avec une ouverture de raccord d'un diamètre nominal de 1 3/8 po (34,9 mm).

- L'emploi d'un disjoncteur est recommandé.
- La cuisinière peut être raccordée directement au disjoncteur (ou coupe-circuit avec fusible) par l'intermédiaire d'un câble à conducteurs de cuivre ou d'aluminium, à blindage métallique flexible ou à gaine non métallique. Voir la section « Raccordement électrique – É.-U. seulement ».
- Prévoir 6 pi (182,9 cm) de mou pour le câble afin de pouvoir déplacer la cuisinière en cas de réparation.
- Un raccord de conduit homologué UL doit être fourni à chaque extrémité du câble d'alimentation électrique (à la cuisinière et à la boîte de connexion).
- Le calibre des câbles et des raccordements doit être conforme à la puissance nominale de la cuisinière.

En cas de raccordement à un circuit à 3 conducteurs :

Il est possible que les codes locaux permettent l'utilisation d'un cordon d'alimentation (en spirale) pour cuisinière homologué UL, à 3 conducteurs, de 250 V à 40 A ou 50 A. Ce cordon contient 3 fils de cuivre avec cosses à anneau ou cosses ouvertes avec bouts dégagés avec fiche 10-50P de type NEMA d'un côté. Des connecteurs du côté de l'appareil doivent être prévus au point d'entrée du cordon d'alimentation. Cet appareil utilise une prise de courant à 3 conducteurs de type NEMA 10-50R.



Réceptacle à 3 fils (10-50R)

En cas de raccordement à un circuit à 4 conducteurs :

Cette cuisinière est fabriquée avec la mise à la terre connectée au neutre par une liaison. Le circuit de mise à la terre doit être modifié pour que le conducteur de mise à la terre vert du cordon d'alimentation électrique à 4 conducteurs soit raccordé à la caisse. Voir la section « Raccordement électrique – É.-U. seulement ».

Effectuer une mise à la terre à partir du connecteur neutre est illégal pour les nouvelles installations avec circuit de dérivation (1996 NEC), les maisons mobiles et les véhicules récréatifs ou dans les régions où les codes locaux interdisent la mise à la terre à partir du fil de neutre.

Lorsqu'un réceptacle à 4 fils 14-50R de type NEMA est utilisé, un cordon d'alimentation à 4 fils (avec raccord flexible) pour cuisinière homologué UL de 250 V, 40 A ou 50 A correspondant doit être utilisé. Ce cordon contient 4 fils de cuivre avec cosses à anneau ou cosses ouvertes avec bouts dégagés et fiche 14-50P de type NEMA d'un côté.

Le quatrième conducteur (mise à la terre) doit être identifié par une gaine verte, ou vert et jaune, et le conducteur neutre doit être identifié par une gaine blanche. On doit utiliser un cordon de type SRD ou SRDT avec un serre-câbles homologué UL d'au moins 4 pi (1,22 m) de long.



Réceptacle à 4 fils (14-50R)

La taille minimum pour un conducteur en cuivre d'un cordon d'alimentation à 4 fils en cuivre est :

Circuit de 40 A

2 conducteurs no 8

1 conducteur neutre no 10 (blanc)

1 conducteur de mise à la terre no 10 (vert)

Spécifications électriques – Canada seulement

⚠ AVERTISSEMENT

Risque de décharge électrique

Appareil relié à la terre.

Le non-respect de ces instructions peut causer un décès, un incendie ou une décharge électrique.

Si on utilise un conducteur distinct de liaison à la terre lorsque les codes le permettent, il est recommandé qu'un électricien qualifié vérifie que la liaison à la terre est adéquate et la section des fils conforme aux codes locaux.

Vérifier que le raccordement à la source d'électricité et le calibre des conducteurs sont conformes aux prescriptions de la plus récente édition de la norme CSA C22.1, partie 1 – Code canadien de l'électricité, et de tout code ou règlement local en vigueur.

Pour obtenir un exemplaire des normes des codes ci-dessus, contacter :

Canadian Standards Association
178 Rexdale Blvd.
Toronto, ON M9W 1R3 CANADA

- En cas de doute quant à la qualité de la liaison à la terre de la cuisinière, consulter un électricien qualifié.

Puissance nominale de la cuisinière*	Puissance nominale spécifiée du cordon d'alimentation et de la protection du circuit	Courant
120/240 V	120/208 V	Courant
8,8–16,5 kW	7,8–12,5 kW	40 ou 50**
16,6–22,5 kW	12,6–18,5 kW	50**

*La charge NEC calculée est inférieure à la charge totale connectée indiquée sur la plaque signalétique.

**Pour les ensembles avec cordon de 50 A nominal, utiliser des troussees conçues pour être utilisées avec une ouverture de raccord d'un diamètre nominal de 1 3/8 po (34,9 mm).

- Lorsqu'une source d'alimentation à une phase à 4 fils de 250 V CA à 60 Hz est accessible, une protection de circuit minimum de 40 A avec fusible aux deux bouts du circuit est requise pour les cuisinières de 30 po (76,2 cm).
- L'emploi d'un disjoncteur est recommandé.
- Cette cuisinière est munie d'un cordon d'alimentation certifié UL ou CSA International Certified conçu pour être branché dans un réceptacle mural 14-50R standard. Veiller à ce que la prise murale se trouve à proximité de l'emplacement définitif de la cuisinière.

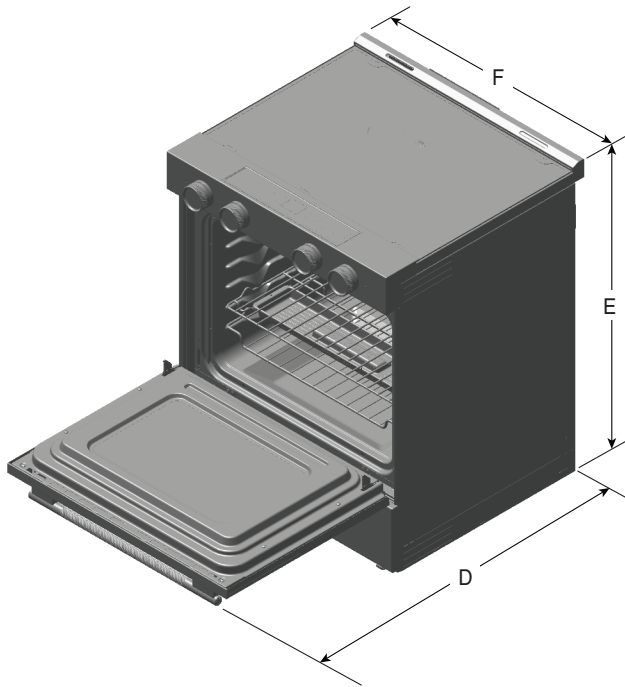


- Ne pas utiliser de câble de rallonge.

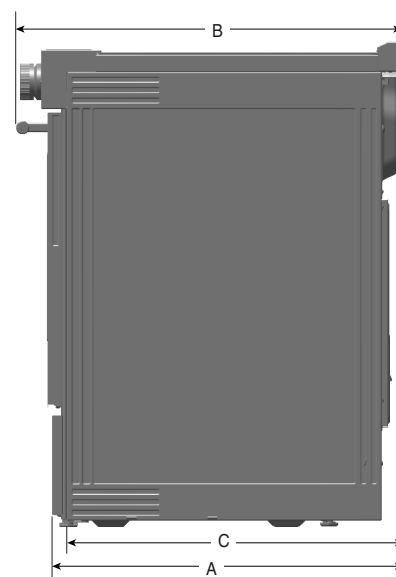
ESTUFA ELÉCTRICA DE CONTROL FRONTAL KITCHENAID®

PRODUCTO: KSES530S*, YKSES530S*, KSES330SPS*, YKSES330SPS*, KSES430SPS*, YKSES430SPS*

KSES530S*, YKSES530S*, KSES330SPS*, YKSES330SPS*, KSES430SPS*, YKSES430SPS*			
Leyenda	Descripción	pul	cm
A	Profundidad del producto cerrado sin las manijas	27,4	69,6
B	Profundidad del producto cerrado con las manijas	29,2	74,17
C	Profundidad sin las puertas	25,4	64,52
D	Profundidad con puerta abierta 90°	47,9	121,67
E	Altura máxima	38,1	96,77
E	Altura mínima	36,6	92,96
F	Ancho	29,9	75,95



VISTA EN ÁNGULO



VISTA LATERAL

IMPORTANTE: Las especificaciones de medidas son solo para fines de planificación.

No realice ningún corte basado en esta información. Consulte el Manual del propietario antes de seleccionar los gabinetes, verificar las conexiones eléctricas/de gas, realizar cortes o iniciar la instalación.

Requisitos de ubicación

IMPORTANTE: Respete todas las normativas y reglamentos vigentes.

- Es responsabilidad del instalador cumplir con los espacios de instalación especificados en la placa que indica modelo/serie/valores nominales. La placa que indica modelo/serie/valores nominales está detrás de la puerta del horno, en la parte superior del lado derecho del marco del horno.
- Para eliminar el riesgo de quemaduras o incendio al tocar unidades con la superficie demasiado caliente, deberá evitarse el uso de gabinetes de almacenamiento encima de las unidades. Si van a proveerse gabinetes de almacenamiento, se puede instalar una campana de ventilación o una combinación de microondas y campana que se proyecte horizontalmente un mínimo de 5" (12,7 cm) más allá de la base de los gabinetes para reducir el riesgo.
- La estufa debe ubicarse en un lugar conveniente para su uso.
- Las instalaciones empotradas deben dejar completamente encerrados los lados y la parte posterior de la estufa.
- Todas las aberturas en la pared o en el piso en donde se instalará la estufa deben estar selladas.
- Deben usarse las dimensiones de la abertura del gabinete que se muestran. Las dimensiones proporcionadas son los espacios mínimos.
- Deben instalarse soportes antivuelco. Para instalar el soporte antivuelco que se envía con la estufa, consulte la sección "Instalación del soporte antivuelco".
- Se requiere un suministro eléctrico con conexión a tierra. Consulte la sección "Requisitos eléctricos" apropiada.
- Póngase en contacto con un instalador de revestimiento de pisos calificado para verificar que el revestimiento del piso pueda soportar por lo menos 200 °F (93 °C).
- Use una almohadilla aislante o una madera laminada de 1/4" (6,4 mm) debajo de la estufa si la va a instalar sobre una alfombra.

IMPORTANTE: Para evitar daños a los gabinetes, consulte al constructor o al distribuidor de los gabinetes para asegurarse de que los materiales empleados no cambien de color, no se desprenda el laminado ni sufran ningún otro tipo de daño. Este horno fue diseñado de acuerdo con los requisitos de UL y CSA International y cumple con las temperaturas máximas permitidas para gabinetes de madera de 194 °F (90 °C).

Requisitos de instalación adicionales para casas rodantes

La instalación de esta estufa debe ajustarse a la Norma para la construcción y la seguridad de casas fabricadas, título 24 CFR, parte 3280 (antes, Norma federal para la construcción y la seguridad de casas rodantes, título 24, HUD parte 280). Cuando no sea aplicable esa norma, use la Norma para instalaciones en casas fabricadas, ANSI A225.1/NFPA 501A o cumpla los códigos locales.

En Canadá, la instalación de esta estufa debe hacerse conforme con las normas vigentes de CAN/CSA-Z240.1- su edición más reciente o con los códigos locales.

Las instalaciones en casas rodantes necesitan:

- Cuando se instale esta estufa en una casa rodante, deberá asegurarse al piso durante el transporte. Cualquier método de fijación de la estufa es adecuado en tanto cumpla con las normas antes mencionadas.
- Para la instalación en una casa rodante, deberá usarse un cable de suministro eléctrico de cuatro hilos.

Dimensiones del gabinete

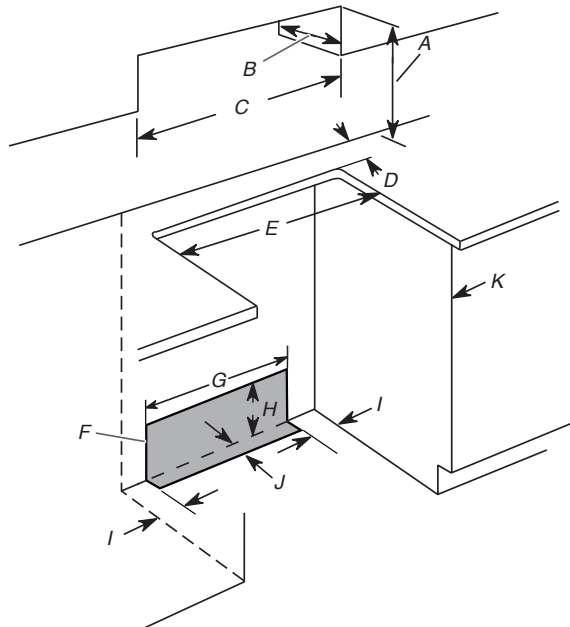
Las dimensiones de abertura del gabinete que se muestran son para una profundidad de mostrador de 25" (64,0 cm), una profundidad del gabinete de la base de 24" (61,0 cm) y una altura del mostrador de 36" (91,4 cm).

IMPORTANTE: Si va a instalar una campana para estufa o una combinación de microondas y campana sobre la estufa, siga las instrucciones de instalación incluidas con la campana para estufa o la combinación de microondas y campana para las medidas de espacio sobre la superficie de cocción.

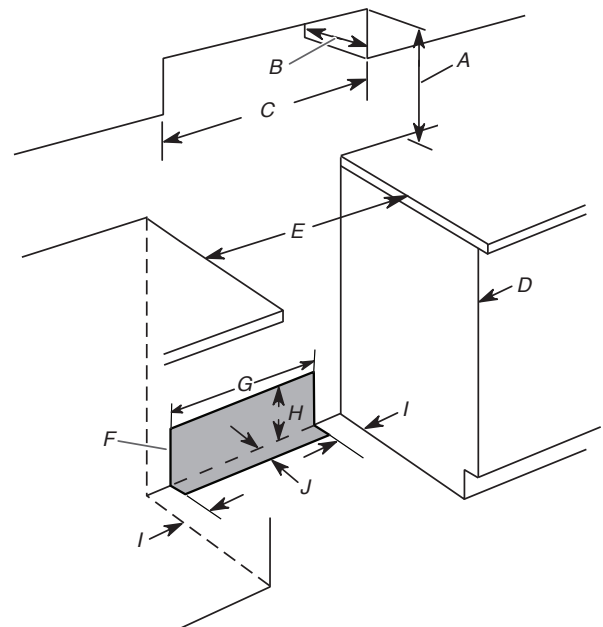
La estufa puede instalarse próxima a paredes combustibles con una separación cero.

NOTA: Cuando se instala en un recorte deslizante, el frente de la puerta del horno puede sobresalir del armario de la base.

Recorte deslizante



Recorte independiente



- A. Para ver el espacio mínimo hasta la parte superior de la superficie de cocción, consulte la NOTA*.
- B. 13" (33 cm) profundidad máxima del gabinete superior
- C. 30" (76,2 cm) ancho mínimo de apertura
- D. La profundidad de mostrador restante no debe exceder 2¹/₄" (5,7 cm).
- E. En EE.UU. y en Canadá: 30" (76,2 cm) ancho mínimo de apertura
- F. Se recomienda el área sombreada para la instalación del tomacorriente con conexión a tierra.
- G. 13¹/₈" (33,3 cm)
- H. 7¹¹/₁₆" (19,5 cm)
- I. 4¹³/₁₆" (12,2 cm)
- J. 3¹¹/₁₆" (9,4 cm) más la medición de L
- K. La puerta o las bisagras del gabinete no deben extenderse dentro del área del recorte.

- A. Para ver el espacio mínimo hasta la parte superior de la superficie de cocción, consulte la NOTA*.
- B. 13" (33 cm) profundidad máxima del gabinete superior
- C. 30" (76,2 cm) ancho mínimo de apertura
- D. La puerta o las bisagras del gabinete no deben extenderse dentro del área del recorte.
- E. En EE.UU. y en Canadá: 30" (76,2 cm) ancho mínimo de apertura
- F. Se recomienda el área sombreada para la instalación del tomacorriente con conexión a tierra.
- G. 13¹/₈" (33,3 cm)
- H. 7¹¹/₁₆" (19,5 cm)
- I. 4¹³/₁₆" (12,2 cm)
- J. 3¹¹/₁₆" (9,4 cm)

***NOTA:** 24" (61,0 cm) como mínimo cuando la base del gabinete de madera o de metal esté protegida por madera moldeada retardante de llama de al menos 1/4" (0,64 cm), cubierta con una lámina de acero no inferior a N.º 28 MSG, acero inoxidable de 0,015" (0,4 mm), aluminio de 0,024" (0,6 mm) o cobre de 0,020" (0,5 mm).

30" (76,2 cm) de espacio mínimo entre la parte superior de la plataforma de la superficie de cocción y la base de un gabinete de madera o metal descubierto.

Requisitos eléctricos - EE. UU. únicamente

⚠ ADVERTENCIA



Peligro de choque eléctrico

Conecte este aparato con conexión a tierra.

No seguir estas instrucciones podría causar la muerte, un incendio o una descarga eléctrica.

Si los códigos lo permiten y se emplea un cable de conexión a tierra separado, es recomendable que un instalador eléctrico calificado determine si la ruta de conexión a tierra y el calibre del cable están de acuerdo con los códigos locales.

No utilice un cable de extensión.

Asegúrese de que la conexión eléctrica y el tamaño del cable sean adecuados y cumplan con el Código nacional eléctrico, ANSI/NFPA 70, su edición más reciente, y con todos los códigos y las ordenanzas locales.

Puede obtener una copia de los códigos antes indicados en:

National Fire Protection Association
1 Batterymarch Park
Quincy, MA 02169-7471

ADVERTENCIA: La conexión incorrecta del conductor de conexión a tierra del equipo puede dar como resultado un choque eléctrico. Si no está seguro de que la conexión a tierra del aparato sea la adecuada, verifíquela con un electricista o un técnico de servicio calificado. No modifique el enchufe del cable de suministro eléctrico. Si no encaja en el tomacorriente, consulte con un electricista calificado para instalar un tomacorriente adecuado.

Conexión eléctrica

Para instalar la estufa correctamente, se debe determinar el tipo de conexión eléctrica que se va a usar y seguir las instrucciones que aquí se proveen para el caso.

- La estufa debe estar conectada al voltaje eléctrico y frecuencia apropiados según se especifica en la placa con el número de clasificación del modelo/serie. La placa que indica modelo/serie/valores nominales está detrás de la puerta del horno, en la parte superior del lado derecho del marco del horno.



A. Placa que indica modelo/serie/valores nominales (detrás de la puerta del horno, en la parte superior del lado derecho del marco del horno)

- Esta estufa se fabrica con el terminal neutro conectado a la carcasa. Use un cable de suministro eléctrico de 3 hilos, aprobado por UL, de 40 A o 50 A (flexible). Consulte la tabla de valores nominales de la estufa a continuación. Si los códigos locales no permiten la conexión a tierra a través del neutro, use un cable de suministro eléctrico de 4 hilos clasificado para 250 voltios, 40 A o 50 A y probado para el uso con estufas.

Valores nominales de la estufa*		Valores nominales del kit de cable de suministro eléctrico y protección del circuito
120/240 V	120/208 V	Amperios
8,8-16,5 kW	7,8-12,5 kW	40 o 50**
16,6-22,5 kW	12,6-18,5 kW	50**

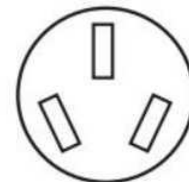
*La carga calculada por el Código eléctrico nacional (NEC) es inferior a la carga conectada total indicada en la placa de modelo/serie/valores nominales.

**Para kits de cable clasificados para 50 A, use kits que especifique el uso con una abertura de conexión de 1 3/8" (34,9 mm) de diámetro nominal.

- Se recomienda usar un disyuntor.
- La estufa se puede conectar directamente a una caja de disyuntores (o un desconector con fusible) a través de un cable flexible o con forro no metálico, de cobre o aluminio. Consulte la sección "Conexión eléctrica, EE.UU. solamente".
- Deje al menos 6 pies (182,9 cm) de holgura en la línea para poder mover la estufa si alguna vez se requiere servicio técnico.
- Debe proveerse un conector de conducto homologado por UL en cada extremo del cable de suministro eléctrico (en la estufa y en la caja de empalmes).
- El tamaño de los hilos y las conexiones deben cumplir con la clasificación de la estufa.

Si se va a conectar a un sistema de 3 hilos:

Es posible que los códigos locales permitan el uso de un cable de suministro eléctrico homologado por UL de 3 hilos, 250 V, 40 A o 50 A (flexible). Este cable contiene 3 conductores de cobre con terminales de anillo o de horquilla con extremos abiertos y hacia arriba, terminado en un enchufe Tipo NEMA 10-50P en el extremo del suministro eléctrico. Los conectores del extremo del electrodoméstico deben estar en el punto en que el cable de suministro eléctrico ingresa al aparato; Para ello, se usa un tomacorriente de 3 hilos de Tipo NEMA 10-50R.



Tomacorriente de 3 hilos (10-50R)

Si se va a conectar a un sistema de 4 hilos:

Esta estufa ha sido fabricada con la conexión a tierra conectada al neutro por medio de un enlace. Se debe revisar la conexión a tierra para verificar que el hilo verde de puesta a tierra del cable de suministro eléctrico de 4 hilos esté conectado al gabinete. Consulte la sección "Conexión eléctrica, EE.UU. solamente".

Está prohibido realizar la conexión a tierra a través del conductor neutro para las nuevas instalaciones de circuito derivado (1996 NEC), las casas rodantes y los vehículos de recreación, o en un área donde los códigos locales prohíban la conexión a tierra a través del conductor neutro.

Cuando usa un receptáculo de 4 hilos Tipo NEMA 14-50R, debe usar un cable de suministro eléctrico homologado por UL para estufas (flexible), de 4 hilos, 250 V y 40 A o 50 A. Este cable contiene 4 conductores de cobre con terminales de anillo o de horquilla con extremos abiertos y hacia arriba, terminado en un enchufe Tipo NEMA 14-50P en el extremo del suministro eléctrico.

El cuarto conductor (de conexión a tierra) debe estar identificado con una cubierta verde o verde/amarilla y el conductor neutro debe estar identificado con una cubierta blanca. El cable debe ser Tipo SRD o SRDT con un protector de cables incluido en la lista de UL y de un largo mínimo de 4 pies (1,22 metros).



Tomacorriente de 4 hilos (14-50R)

Los tamaños mínimos para el conductor de suministro de cobre de 4 hilos son:

Circuito de 40 A

2 conductores n.º 8

1 hilo blanco neutro n.º 10

1 hilo verde de conexión a tierra N.º 10

Requisitos Eléctricos – Sólo en Canadá

⚠ **ADVERTENCIA**

Peligro de choque eléctrico

Conecte este aparato con conexión a tierra.

No seguir estas instrucciones podría causar la muerte, un incendio o una descarga eléctrica.

Si los códigos lo permiten y utiliza un cable de conexión a tierra separado, es recomendable que un instalador eléctrico competente determine si la ruta de conexión a tierra y el calibre del cable cumplen con los códigos locales.

Asegúrese de que la conexión eléctrica y el tamaño del cable sean adecuados y cumplan con el Estándar CSA C22.1, Código Canadiense de Electricidad, Parte 1, (su edición más reciente), y con todos los códigos y las ordenanzas locales.

Puede obtener una copia de los códigos antes indicados en:
Canadian Standards Association
178 Rexdale Blvd.
Toronto, ON M9W 1R3 CANADÁ

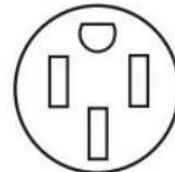
- Si no está seguro de que la conexión a tierra de la estufa sea adecuada, verifíquela con un instalador eléctrico competente.

Valores nominales de la estufa*	Valores nominales del kit de cable de suministro eléctrico y protección del circuito	
120/240 V	120/208 V	Amperios
8,8-16,5 kW	7,8-12,5 kW	40 o 50**
16,6-22,5 kW	12,6-18,5 kW	50**

*La carga calculada por el Código eléctrico nacional (NEC) es inferior a la carga conectada total indicada en la placa de modelo/serie/valores nominales.

**Para kits de cable clasificados para 50 A, use kits que especifique el uso con una abertura de conexión de 1³/₈" (34,9 mm) de diámetro nominal.

- Si dispone de un suministro eléctrico de 4 hilos, monofásico, de 250 Voltios, 60 Hz, CA únicamente, se requiere una protección mínima del circuito de 40 A en las estufas de 30" (76,2 cm) con fusibles en ambos lados de la línea.
- Se recomienda usar un disyuntor.
- La estufa está equipada con un Cable eléctrico certificado por UL o CSA International que debe enchufar en un receptáculo de pared 14-50R estándar. Compruebe que el receptáculo de pared esté cerca de la ubicación definitiva de la estufa.



- No utilice un cable de extensión.



W11702306A
04/25

©/™ ©2025 KitchenAid. All rights reserved. The design of the stand mixer is a trademark in the U.S. and elsewhere. Used under license in Canada.

Tous droits réservés. La forme du batteur sur socle est une marque de commerce aux É.-U. et dans d'autres pays. Utilisé sous licence au Canada.

Todos los derechos reservados. El diseño de la batidora es una marca comercial en EE. UU. y en otros países. Usado bajo licencia en Canadá.

KitchenAid®