

SPR30UIMAN

Cooker size	30"
Cavity heat source	ELECTRICITY
Hob type	Induction
Type of main oven	Thermo-ventilated
Cleaning system main oven	Vapor Clean
EAN code	8017709347734



Aesthetics



Serie	Professional	LED colours	Red
Design	Square design	Control knobs	Smeg new design with knurled ferrule
Colour	Matt Black	Controls colour	Stainless steel
Front panel color	Matt black	No. of controls	6
Command panel finish	Stainless steel	Serigraphy colour	Black
Logo	Assembled	Display	Touch
Logo position	Facia below the oven	Handle	Smeg new design with knurled handle
Hob colour	Stainless steel	Handle Colour	Brushed stainless steel
Type of control setting	Control knobs		

Programs / Functions

No. of cooking functions 8

Traditional cooking functions

Static	Fan assisted	Circulaire
Small grill	Large grill	Fan grill (large)
Fan assisted bottom	Pizza	

Other functions

Defrost by time

Cleaning functions

 Vapor clean

Hob options



Multizone Option Yes

Hob technical features



Total no. of cook zones 4

Rear left - 1.85 kW - Booster 3.00 kW

Front left - 1.85 kW - Booster 3.00 kW

Rear right - 2.30 kW - Booster 3.70 kW

Front right - 1.40 kW - Booster 2.20 kW

No. of cooking zones with Booster 4

Automatic pan detection Yes

Number of Flexible zones 1

Selected zone indicator Yes

Residual heat indicator Yes

Booster power left Multizone 3,70 kW

Automatic switch off when overheat Yes

Main Oven Technical Features



No. of lights 2

Fan number 1

Gross volume, 1st cavity 4.56 cu. ft.

Cavity material Ever Clean enamel

No. of shelves 6

Type of shelves Metal racks

Light type Halogen

Light Power 40 W

Cooking time setting Minute minder

Full glass inner door Yes

Total no. of door glasses 3

Cooling system Tangential

Lower heating element power 1700 W

Upper heating element - Power 1200 W

Grill element 1700 W

Large grill - Power 2900 W

Circular heating element - Power 2700 W

Grill type Electric

Soft Close system Yes

Options Main Oven

Minimum Temperature 151 °F

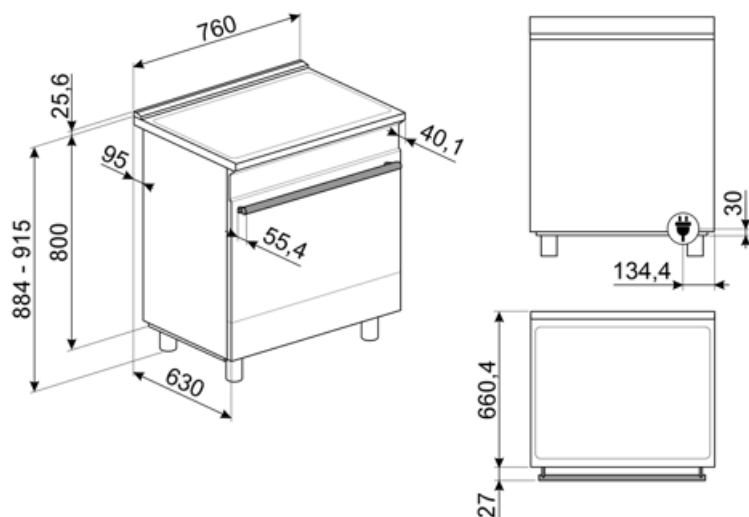
Maximum temperature 500 °F

Accessories included for Main Oven & Hob

Oven grid with stop, tray support	2	Meat Probe	1
-----------------------------------	---	------------	---

Electrical Connection

Current	46 A	Power supply cable length	47 1/4 "
Circuit breaker	50 A	Frequency	60 Hz
Voltage	208/240 V	Terminal block	3 poles
Type of electric cable installed	Yes, Double phase		



Compatible Accessories

AIRFRY9

Air fryer rack AIRFRY . Ideal for recreating traditional frying in the oven, but with fewer calories and less fat. It allows you to cook quickly and simply dishes such as French fries, fried vegetables and fish, ensuring perfect browning and crispiness.



BBQ9



BN920



BN940



GRILLPLATE

Universal griddle for induction, gas, ceramic and electric hobs. Non-stick surface ideal for cooking meat, cheese and vegetables. Dimensions: 410 x 240 mm.



GT3T

Totally extractable telescopic guides



KITTKSPR30

Plinth, 90cm, three sides, black, suitable for SPR cookers 30"



PALPZ

Pizza shovel with folding handle. Dimensions L31.5 x H32.5 cm. Easy and convenient to use and store. Perfect for serving pizza, bread and savory pastries in a safe and professional way.



SCRP

Non-scratch hob scraper - suitable for induction and ceramic hobs



SFLK1

Child lock



STONE2

Rectangular pizza stone without handles, suitable for 45cm and 60cm wide ovens. Dimensions W42 x H1.8 x D37.5cm. Ideal for cooking pizzas with the same results as a typical wood-fired oven. Can also be used for baking bread, focaccias and other recipes such as pies, flans or biscuits



TPKPLATE

Universal plate for induction, gas, ceramic and electric hobs. Non-stick surface ideal for cooking fish, eggs and vegetables. Dimensions: 410 X 240 mm.

