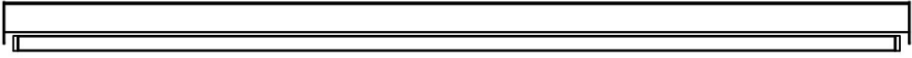

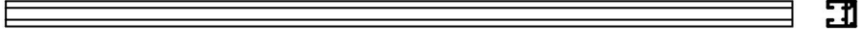


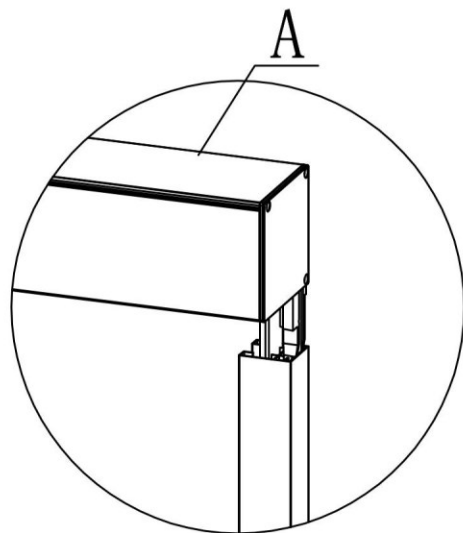
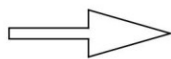
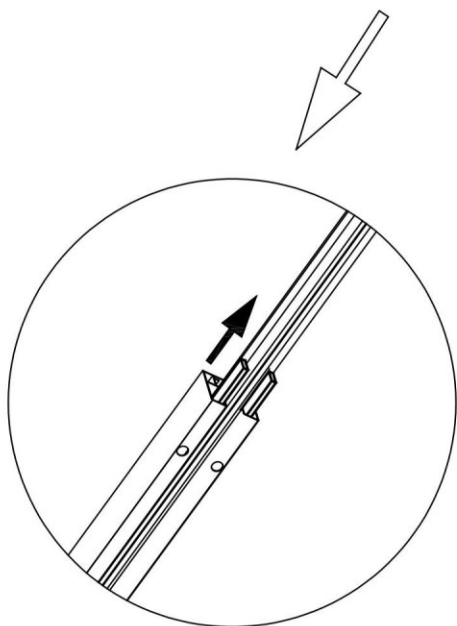
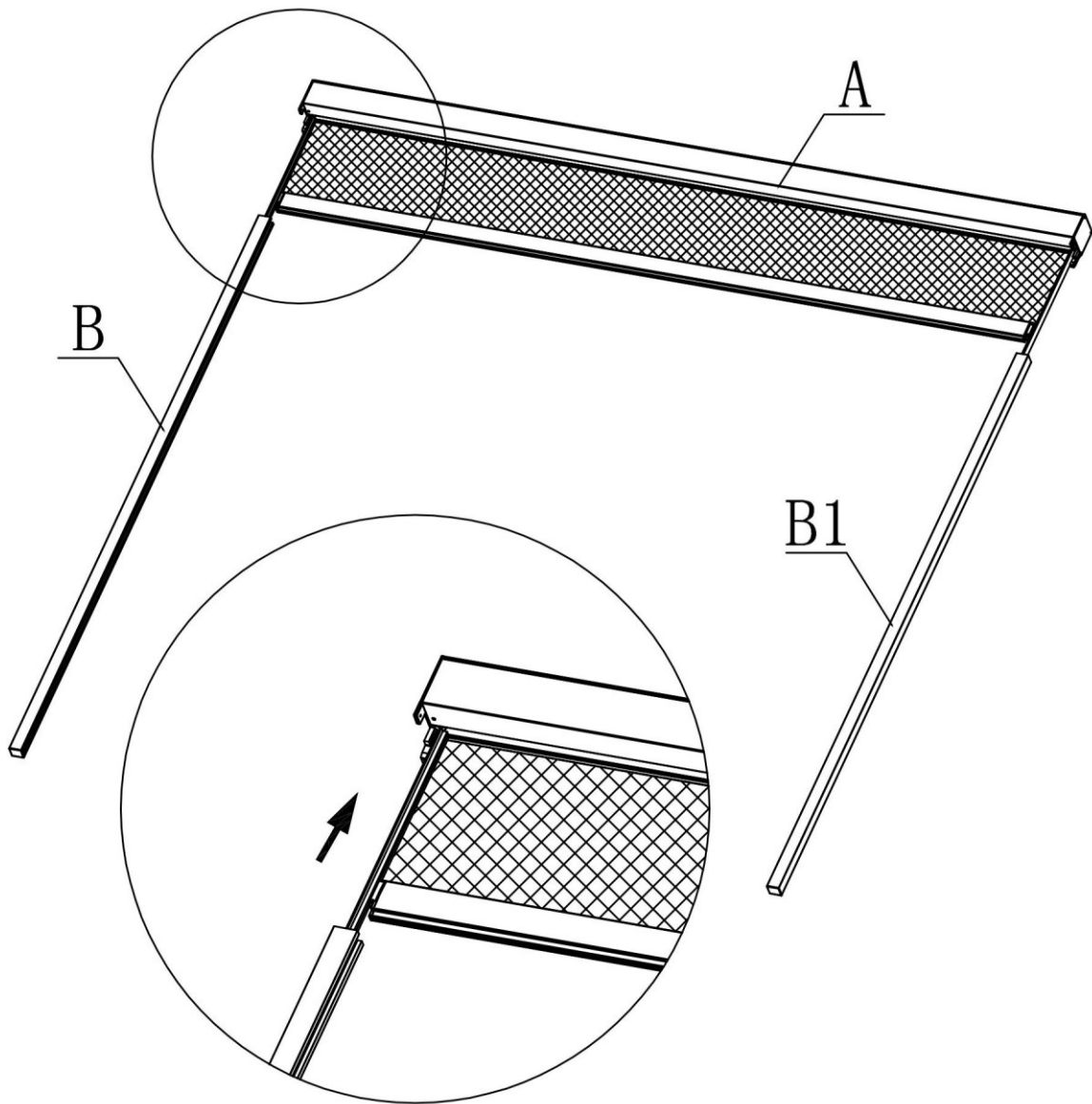
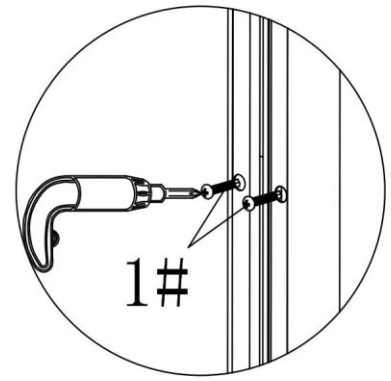
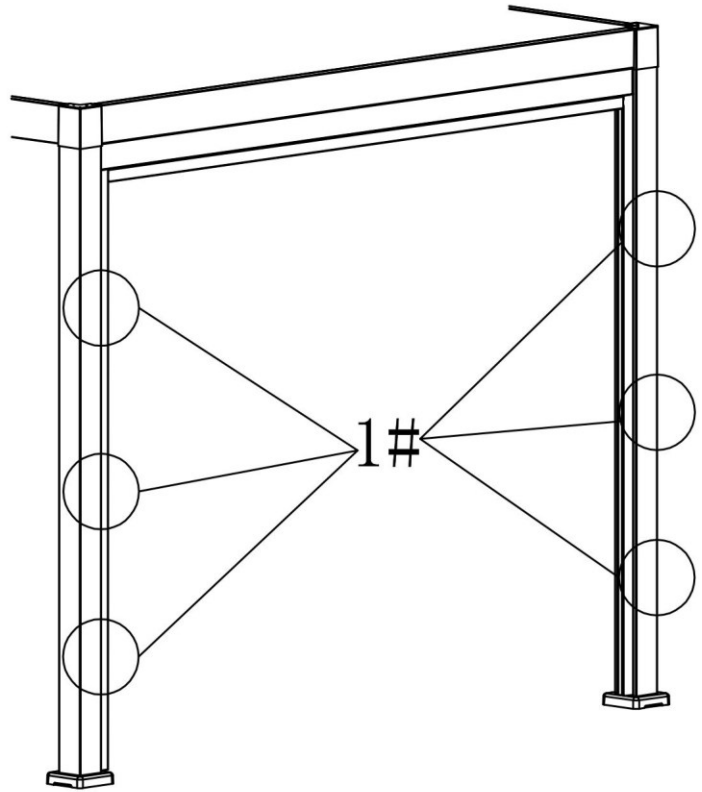
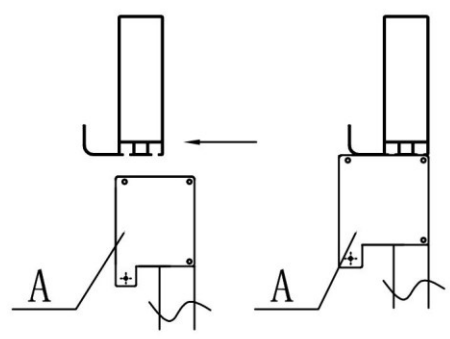
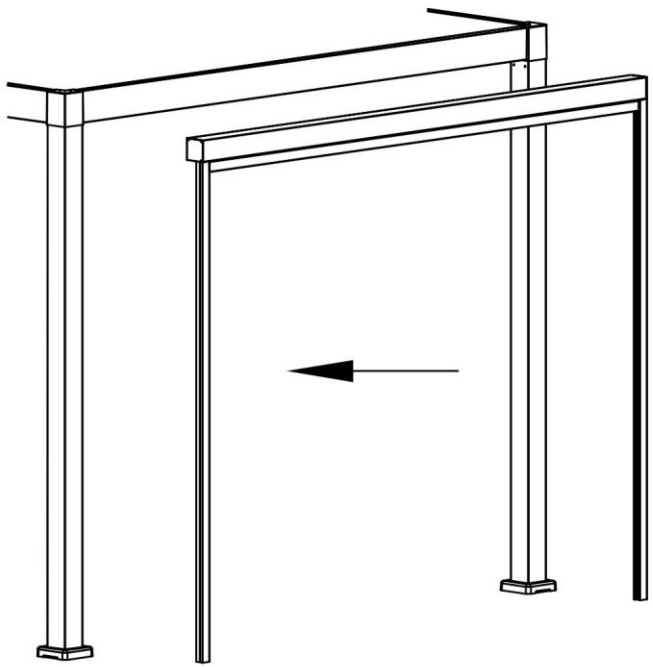
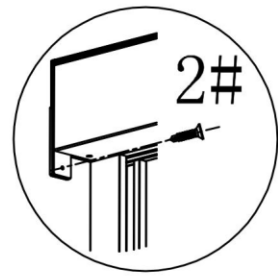
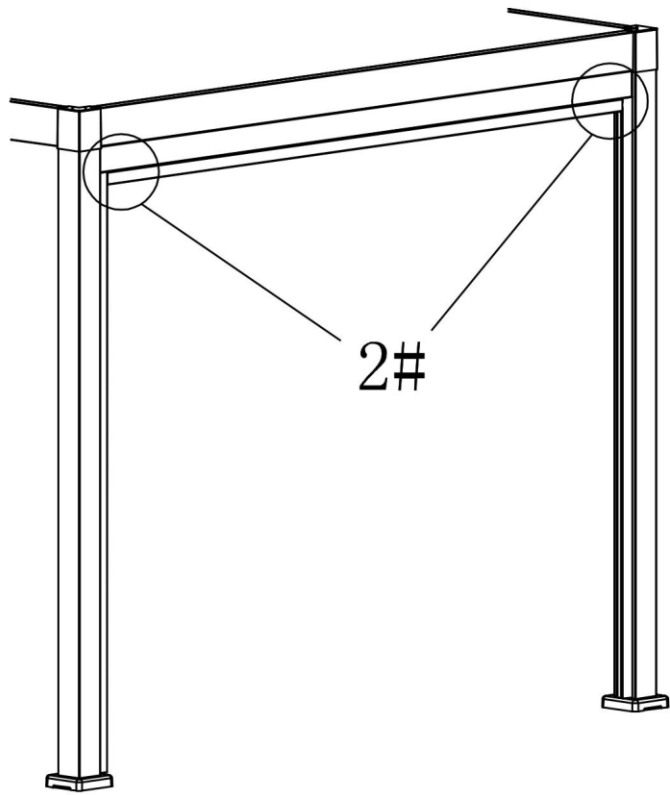


PARTIE NO PART NO	DESCRIPTION	QTÉ QTY
A		1
B		1
B1		1
1#		12
2#		2





1#	12PCS	
----	-------	--



2#	2PCS	
----	------	---

