

INSTRUCTION MANUAL FOR WINE COOLER/BEVERAGE COOLER

MODEL

WC46PADZ1



Thanks for buying our Wine Cooler/Beverage Cooler, Hope our advanced product will give your wine a different joyful taste. Before use, please read and follow all safety rules and operating instructions.

WARNING

- To prevent damaging the door gasket, make sure to have the door all the way opened when pulling shelves out of the rail compartment.
- The appliance must be positioned so that the plug is accessible. Release the electric cord. Move your cabinet to its final location. Do not move your Cabinet while loaded with wine. You might distort the body. The wine cellar should be installed in a suitable place in order to avoid touching the compressor with hand.
- This appliance is not intended for use by persons (including children) with reduced physical, sensory or mental capabilities or lack of experience and knowledge, unless they have been given supervision or instruction concerning use of the appliance by a person responsible for their safety.
- If the supply cord is damaged, it must be replaced by manufacturer of its Service agent or a similarly qualified person in order to avoid a hazard.

PLEASE DON'T TRY TO PLUG INTO OR EXTENSION THE CABLE IN ANY CASE.

IMPORTANT SAFETY INSTRUCTIONS

⚡WARNING⚡	To reduce the risk of fire, electrical shock, or injury when using your appliance, follow these basic precautions:
<ul style="list-style-type: none">• Read all instructions before using the Wine cooler.• DANGER or WARNING: Risk of child entrapment.• Child entrapment and suffocation are not problems of the past. Junked or abandoned appliances are still dangerous even if they will “just sit in the garage a few days”.• Before you throw away your old Wine cooler/Beverage Cooler: Take off the door. Leave the shelves in place so that children may not easily climb inside.• Never allow children to operate, play with, or crawl inside the appliance.• Never clean appliance parts with flammable fluids. The fumes can create a fire hazard or explosion.• Do not store or use gasoline or any other flammable vapors and liquids in the vicinity of this or any other appliance. The fumes can create a fire hazard or explosion. Do not store explosive substances such as aerosol cans with a flammable propellant in this appliance.• WARNING: Keep ventilation openings, in the appliance enclosure or in the built-in structure, clear of obstruction;• WARNING: Do not use mechanical devices or other means to accelerate the defrosting process, other than those Recommended by the manufacturer;• To avoid a hazard due to instability of the appliance, it must be fixed in accordance with the instructions.• WARNING: Do not damage the refrigerant circuit;• WARNING: Do not use electrical appliances inside the food storage compartments of the appliance, unless they are the type recommended by the manufacturer.• If the refrigerant of these appliances are R600a , Flammable and explosive articles should not be put in or near the cabinet, to avoid the fire or explode caused. <p style="text-align: center;">-Save these instructions-</p>	

INSTALLATION INSTRUCTIONS

➤ **Before Using Your Wine cooler/Beverage cooler**

- Remove the exterior and interior packing.
- Before connecting the Wine cooler/Beverage cooler to the power source, let it stand upright for approximately 2 hours. This will reduce the possibility of a malfunction in the cooling system from handling during transportation.
- Clean the interior surface with lukewarm water using a soft cloth.
- This appliance is intended to be used in household and similar applications such as
 - staff kitchen areas in shops, offices and other working environments;
 - farm houses and by clients in hotels, motels and other residential type environments;
 - bed and breakfast type environments;
 - catering and similar non-retail applications.
- When disposing your appliance, please choose an authorized disposal site.

➤ **Installation of Your Wine Cooler/Beverage cooler**

- This appliance is designed to be for free standing installation or built-in (fully recessed) (Refer to sticker location the back of this appliance).
- **This appliance is intended to be used exclusively for the storage of wine or beverages.**
- Place your Wine cooler/Beverage cooler on a floor that is strong enough to support it when it is fully loaded. To level your Wine cooler/Beverage cooler, adjust the front leveling leg at the bottom of the Wine cooler/Beverage cooler.
- This appliance is using flammability refrigerant. So never damage the cooling pipework during the transportation. Locate the Wine cooler/Beverage cooler away from direct sunlight and sources of heat (stove, heater, radiator, etc.). Direct sunlight may affect the acrylic coating and heat sources may increase electrical consumption. Extreme cold ambient temperatures may also cause the unit not to perform properly.
- Avoid locating the unit in moist areas.
- Plug the Wine cooler/Beverage cooler into an exclusive, properly installed-grounded wall outlet. Do not under any circumstances cut or remove the third (ground) prong from the power cord. Any questions concerning power and/or grounding should be directed toward a certified electrician or an authorized Products service center.

➤ **Attention**

- Store wine in sealed bottles;
- Do not overload the cabinet;
- Do not open the door unless necessary;
- Do not cover shelves with aluminum foil or any other shelf material which may prevent air circulation;
- Should the Wine cooler/Beverage cooler be stored without use for long periods it is suggested, after a careful cleaning, to leave the door ajar to allow air to circulate inside the cabinet in order to avoid possible formations of condensation, mold or odors.

➤ **Ambient Room Temperature Limits**

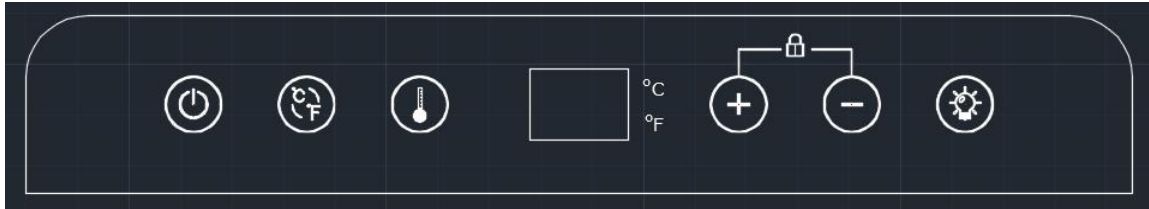
This appliance is designed to operate in ambient temperatures specified by its temperature class marked on the rating plate.












Class	Symbol	Ambient Temperatures range(°C)
Extended Temperate	SN	+ 10 to + 32
Temperate	N	+ 16 to + 32
Subtropical	ST	+ 16 to + 38
Tropical	T	+ 16 to + 43

OPERATING YOUR WINE COOLER/BEVERAGE COOLER AND SETTING THE TEMPERATURE CONTROL

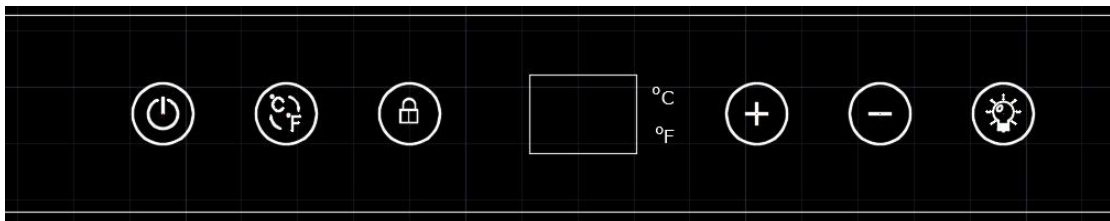
FOR WC46PADZ1












➤ Control System Instruction



- Power switch : After the unit is power on, press  for 3 seconds to turn on or off the unit.
- °C/°F switch: Press  button to change the temperature display between Celsius and Fahrenheit.
- Temperature setting button : Press  before adjust temperature. When press it first time, the display flashes and shows the setting temperature. After 5 seconds it shows the measured interior temperature. Press  to increase the setting temperature and press  to decrease the setting temperature.
- Display window: 2-digit LED display to show setting temperature or actual interior temperature.
- Light button : Press  to turn on or off. When open door, the light will be switched on automatically.
- Key lock function: If there is no any operation with digital control for 3 minutes, it will be locked automatically. Press  and  in the same time for 3 seconds to unlock.

➤ Control System Instruction



- Power switch : Plug in, press  for 3 seconds to turn on or off the unit.
-  button ;Press  to change the temperature display between Celsius and Fahrenheit.
- Lock button :Press  for 3 seconds to lock the control panel except light button, press this button again once need to unlock the control panel.
-  button : The temperature will increase 1°F or 1°C if you push the  button , the temperature will decrease 1°F or 1°C if you push the  button.
- Light button :Press  to turn on or off.

➤ **Setting The Temperature Controls**

- You can set the temperature as you desire by pushing the “+” or “-” button. When you push the two buttons for the first time, the LED readout will show the original temperature set at previous time.
- The temperature that you desire to set will increase 1°C if you push the “+” button once, on the contrary the temperature will decrease 1°C if you push the “-” button once.
- To view the “set” temperature. (anytime) press and hold the corresponding button for approximately 5 seconds, the “set” temperature will temporarily “flash” in the LED display for 5 seconds.

The temperature setting can be adjusted from 5°C to 20°C.

- When press the temperature setting button “+” or “-”, the system will enter the set up mode of the upper or lower compartment automatically. The LED display will flash and show the setting temperature. After 5 seconds the flash will stop and it will show the actual measured interior temperature.
- Press the button once, the temperature will decrease or increase 1 °C. After stopping pressing the button for 5 seconds, LED figure will stop flash, then revert back to display the setting temperature of the upper or lower compartment.
- After the unit is unplugged, the system will return to default setting temperature, which set by factory. The default setting temperature as below:
- Upper compartment: 6 °C
- Lower compartment: 12 °C
- **Upper compartment:** The temperature setting can be adjusted from 5°C to 12°C.
- **Lower compartment:** The temperature setting can be adjusted from 12°C to 20°C.

➤ **Attention**

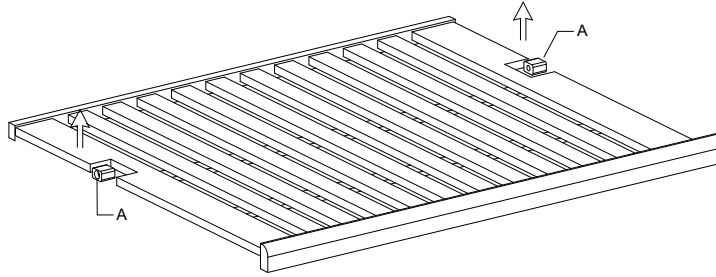
- If the unit is unplugged, power lost, or turned off, you must wait 3 to 5 minutes before restart the unit. If you need attempt to restart before this time delay, the Wine Cooler/Beverage Cooler will not start. If first time use or longer absence of using, the temperature will difference between setting and LED display temperature. After running a period, the temperature will be reverting back.

➤ **Shelves**

- To prevent damaging the door gasket, make sure to have the door all the way opened when pulling shelves out of the rail compartment.
- For easy access to the storage content, you must pull the shelves approximately 1/3 out of the rail compartment, however this unit was designed with a notch on each sides of the shelf tracks to prevent bottles from falling.
Please refer to the following direction for replace shelf with different method.

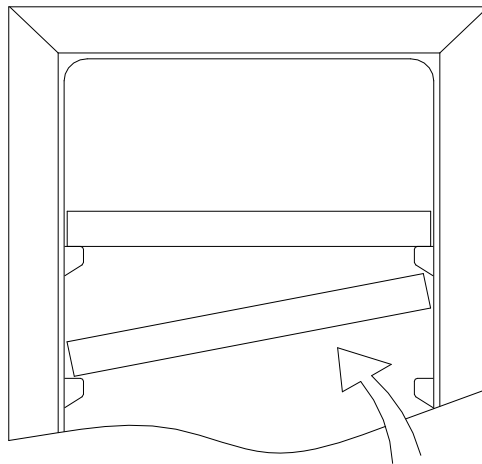
Type A

- If need to take out any shelf, move the shelf towards the gap on the both sides and alignment with shelf support A. Then lift upwards the shelf and pull out it from the cabinet once the shelf support disengaged from the gap.



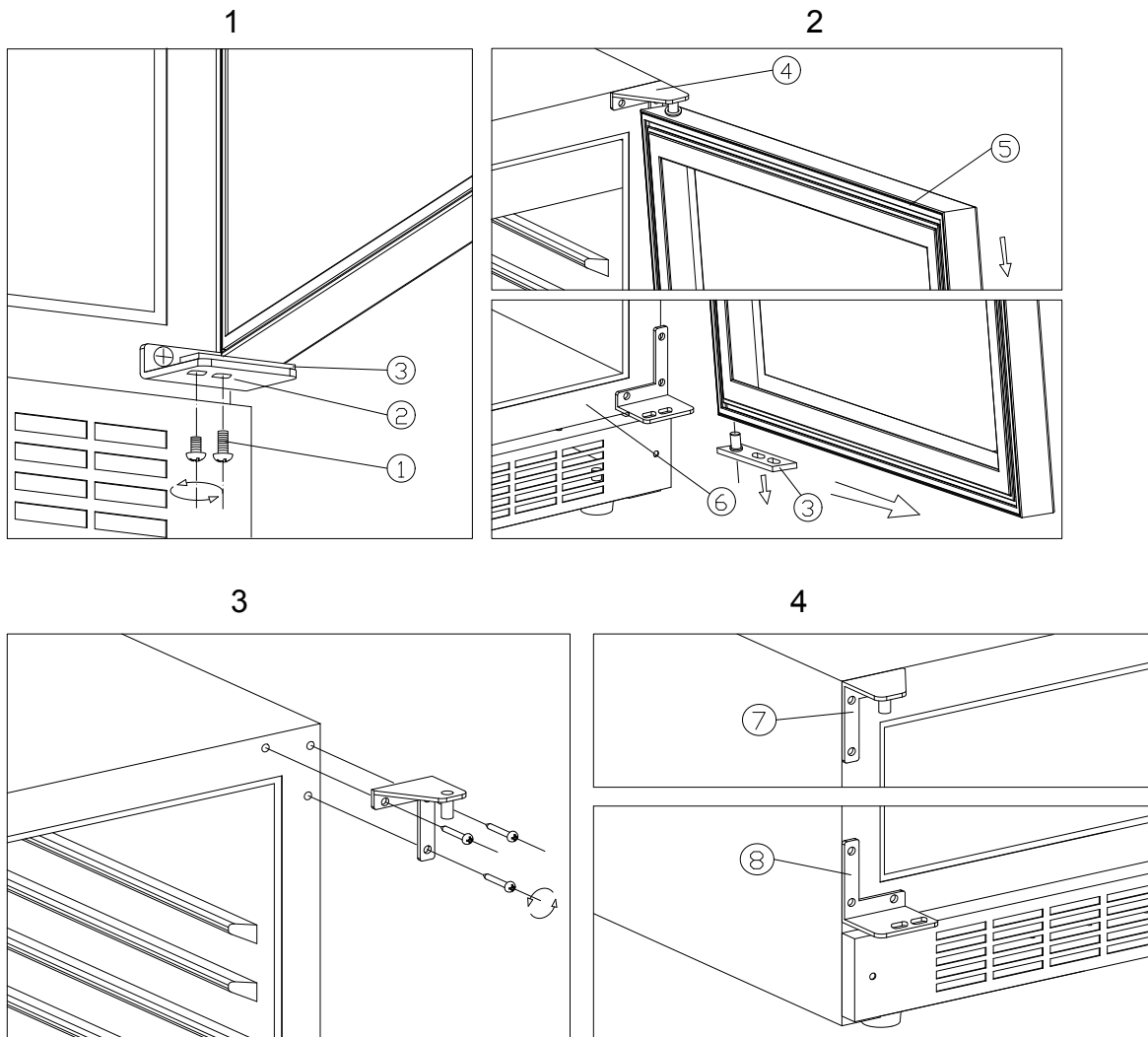
Type B

When removing any of these shelves out of the rail compartment, To fit or remove the shelf, tilt the shelf as per the diagram and simply pull out, or push in the shelf until it sits on the support brackets securely.



➤ **Reverse the door with visible hinge**
WC46PADZ1

This appliance has the capability of the door opening from either the left or right side. The unit is delivered to you with the door opening from the left side. Should you desire to reverse the opening direction, please follow the below instruction.



- | | | |
|--------------------|----------------------|-------------|
| ① Lock screws | ② Lower hinge(Right) | ③ Door axis |
| ④ Top hinge(Right) | ⑤ Door | ⑥ Cabinet |
| ⑦ Top hinge(Left) | ⑧ Lower hinge(Left) | |

Unscrew the Lock screws①; (please see picture 1)

Pull the door ⑤outward, take it out; (please see picture 2)

Screw off 3 pcs bolts, take out the Top hinge(Right)④; (please see picture 3)

Fix the Top hinge(Left) and Lower hinge(Left) with bolts on the position as picture shows,

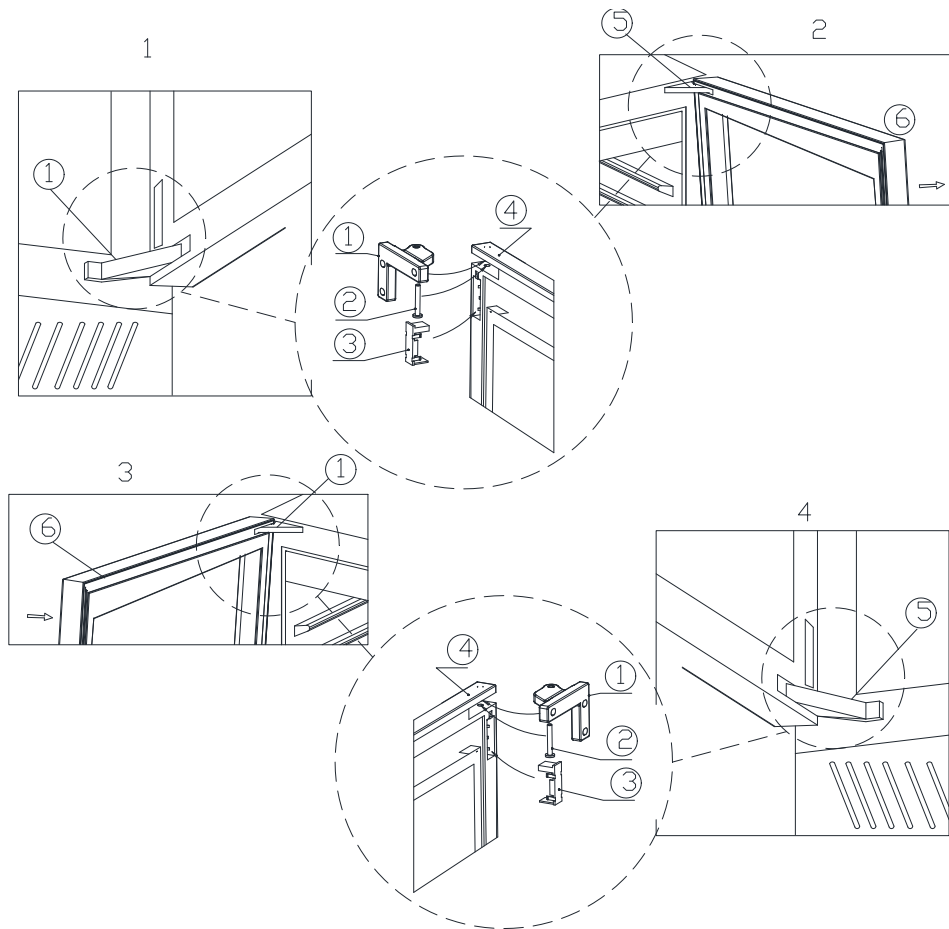
For bar handle:

To rotate door at 180 degrees, then assemble the door as per the reverse way of remove.(please see picture 4)

For other handle:

Install the door as per reverse way of remove. (please see picture 4)

➤ **Reverse the door with invisible hinge**
WC46PADZ1



- ①Upper hinge ②Hinge shaft ③Hinge buckle ④Upper hinge ⑤Lower hinge
 ⑥Glass door

1. As shown in Figure 1, use a flat-blade screwdriver to open the upper hinge buckle ③ to see the hinge shaft ②, and then use a flat-blade screwdriver to pry the hinge shaft ② and take it out. Then unscrew the lower hinge in the same way.

2. As shown in Figure 2, the installation method of the upper part of the door is the same as the lower part.

3. When the upper and lower parts are removed, pull the door parallel to the outside. The door can be taken out.

4. Remove the glass door, use the hex wrench to remove the upper door hinge and the lower door hinge mounting screws, and remove the upper and lower door hinges.

5. Pay special attention to this: 1) The glass door is turned 180 degrees to install, and the lock hook and magnet of the door are removed and reinstalled to the other side.

2) The upper hinge and lower hinge are also exchanged at the same time. The right upper hinge is changed into the left lower hinge. The right lower hinge is changed into the left upper hinge. Becomes the lower door hinge, and becomes the upper door hinge when the right lower door hinge is changed to the left side;

6. Install the door hinge first as shown in Figure 3, and install the lower door hinge as shown in Figure 4.

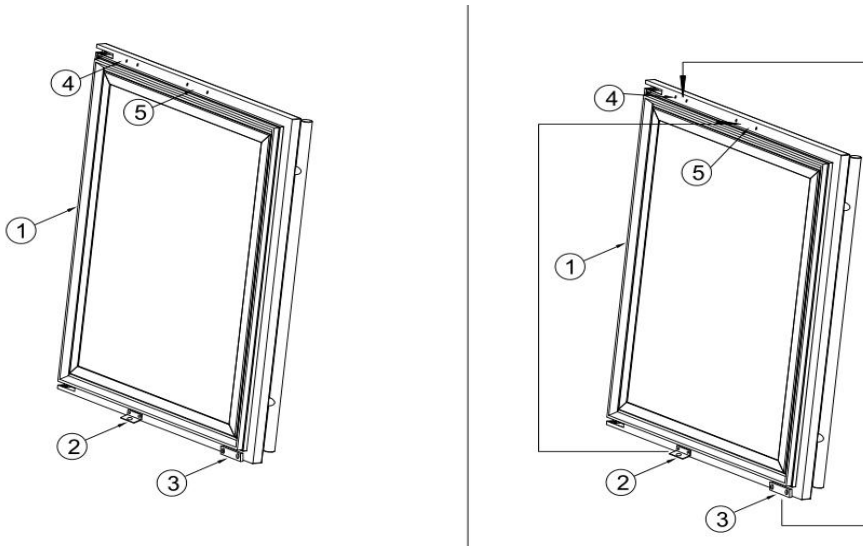
7. Lift the door as shown in Figure 4. Firstly insert the lower hinge into the corner fittings, align the mounting holes, and insert the hinge shaft ② into the hinge hole in position. Then cover back the Hinge buckle ③. The installation of the lower part of the door is completed;

8. Install the upper part of the door as shown in Figure 3, the same method as the lower part of the installation door. In the end the door revert is finished.

9. Install the door hinge Note: When installing the upper door hinge, please move the door

hinge to the side of the outer casing and then tighten the screw. After the lower door is installed, move the screw to the inside of the outer casing and tighten the screw to prevent the door from falling.

➤ **Change the door alarm parts with invisible hinge**



① Door ②lock ③door alarm magnet ④magnet fix hole ⑤lock fix hole

1. after change the door, first unscrew ②lock and ③magnet like pic1;
2. Then fix the ②lock to the position of ⑤lock fix hole
3. After change the ③magnet to position of ④magnet fix hole

➤ **Change the door alarm parts with visible hinge**

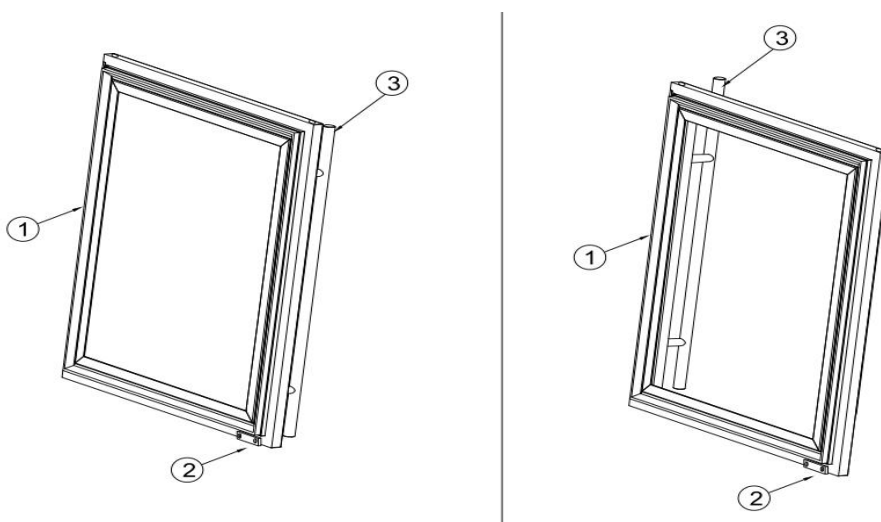


Fig:1

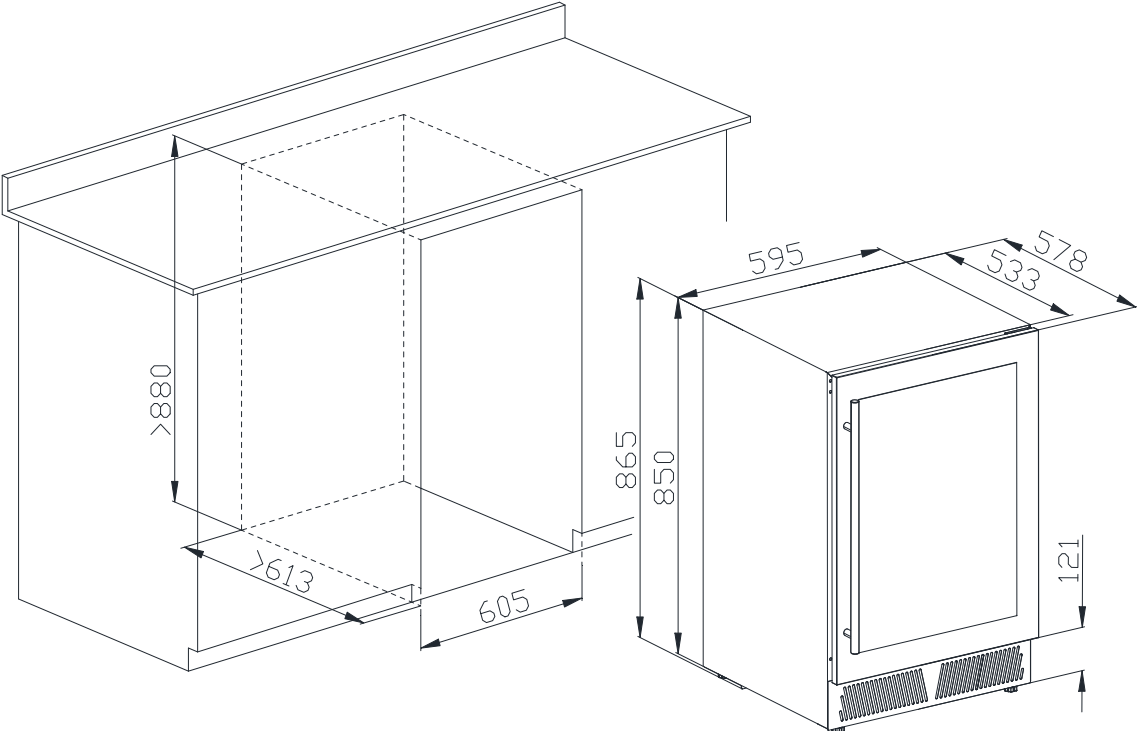
Fig:2

① door ②magnet ③handle

Change the door magnet:

Because the door is reversible, just change the door handle side is ok, no need to change the magnet position.

WC46PADZ1



Remove the exterior and interior packing materials.

Let the appliance stand upright for approximately 2 hours before connecting it to the power source, which helps to reduce the possibility of a cooling-system malfunction from handling during transportation.

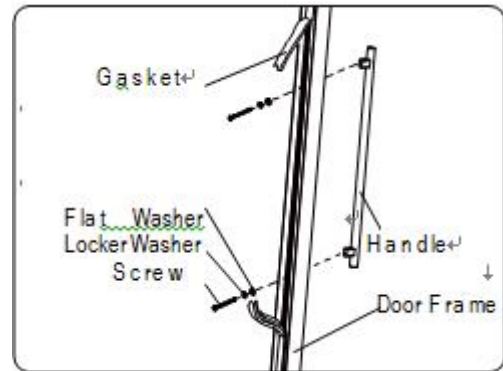
Use a soft cloth to clean the interior surface with lukewarm water.

Install the door handle provided with the appliance by following these steps:

Step 1 — Remove the gasket at the inner side of the door to expose the two screw holes.

Step 2 — Install the handle tightly with the screws and washers provided.

Step 3 — Tidy and restore the gasket.



LOCK & UNLOCK THE DOOR (FOR OPTION)

Lock is an optional function. If your Wine Cooler has such function, a key should be attached inside the packing of this Manual.

Insert the key into the lock and turn it counter-clockwise to unlock the door. To lock it, please follow the reversed operation. Please save the key well.

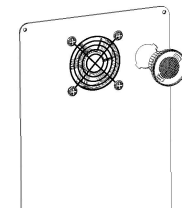
CHARCOAL FILTRATION SYSTEM

Your wine is a living object that breathes through the cork of its bottle. In order to preserve the quality and taste of your fine wines, they must be stored at the ideal temperature and ambient conditions. Your cellar is equipped with an active charcoal filtration system to ensure air purity, cooling efficiency, and to maintain an odor free cabinet for the storage of your fine wines. The filter assembly is located at the rear panel inside your cellar.

Keep in mind, that this filter must be changed every 12 months.

To replace your filter:

1	Remove the bottles of wine stored on the two (2) shelves in front of the filter.
2	Remove the shelves and set aside to be replaced once you have changed the filter
3	Hold the filter and turn it at 45 degrees in the counter-clockwise direction and then pull it out.
4	Remove the existing filter and replace with a new one.
5	Put the new filter into the hole and then turn the filter at 45 degrees in clockwise direction.



Turn Left to remove filter.

CARE & MAINTENANCE

- **Clean your Wine Cooler/Beverage Cooler**
 Turn off the power, unplug the appliance, and remove all items including shelves and rack. Wash the inside surfaces with a warm water and mild solution.
 Wash the shelves with a mild detergent solution.
 Wring excess water out of the sponge or cloth when cleaning area of the controls, or any electrical parts.
 Wash the outside cabinet with warm water and mild liquid detergent. Rinse well and wipe dry with a clean soft cloth.

- **Power failure**
 Most power failures are corrected within a few hours and should not affect the temperature of your appliance if you minimize the number of times the door is opened. If the power is going to be off for a long period of time, you need to take the proper steps to protect your contents.

- **Vacation Time**
 Short vacations: Leave the Wine Cooler/Beverage Cooler operating during vacations of less than three weeks.
 If the appliance will not be used for several months, remove all items and turn off the appliance. Clean and dry the interior thoroughly. To prevent odor and mold growth, leave the door open slightly: blocking it open if necessary.

- **Moving your Wine Cooler/Beverage Cooler:**
 Remove all items.
 Take out the loose items inside the wine cooler/Beverage Cooler (such as shelf), or fix the loose items with the foam.
 Turn the adjustable leg up to the base to avoid damage.
 Tape the door shut.
 Be sure the appliance stays secure in the upright position during transportation. Also protect outside of appliance with a blanket or similar items.

- **Energy saving tips**
 The Wine Cooler/Beverage Cooler should be located in the coolest area of the room, away from producing appliances, and out of the direct sunlight.

PROBLEMS WITH YOUR WINE COOLER/BEVERAGE COOLER

You can solve many common Wine Cooler/Beverage Cooler problems easily, saving you the cost of a possible service call. Try the suggestions below to see if you solve the problem before calling the servicer.


Troubleshooting Guide

Problem	Possible Cause
Wine Cooler/Beverage Cooler does not operate	No plugged in. The appliance is turned off. The circuit breaker tripped or a blown fuse.
Wine Cooler/Beverage Cooler is not cold enough	Check the temperature control setting. External environment may require a higher setting. The door is opened too often. The door is not closed completely. The door gasket does not seal properly.
Turns on and off frequently	The room temperature is hotter than normal.

	<p>Overload of the cabinet The door is opened too often. The door is not closed completely. The temperature control is not set correctly. The door gasket does not seal properly.</p>
The light does not work	<p>Not plugged in. The circuit breaker tripped or a blown fuse. The bulb has burned out. The light button is "OFF"</p>
Vibrations	<p>check to sure that the Wine Cooler/Beverage Cooler is level.</p>
Too much noise	<p>The rattling noise may come form the flow of the refrigerant, which is normal. As each cycle ends, you may hear gurgling. Contraction and expansion of the inside walls may cause popping and crackling noises. The Wine Cooler/Beverage Cooler is not level.</p>
The door will not close properly	<p>The Wine Cooler/Beverage Cooler is not level. The door was reversed and not properly installed. The gasket is dirty. The shelves are out of position.</p>

Before disposal of the appliance.

1. Disconnect the main plug from the main socket.
2. Cut off the main cable and discard it.

	Correct disposal of this product
	<p>This symbol on the product, or in its packaging, indicates that this product may not be treated as household waste. Instead, it should be taken to the appropriate waste collection point for the recycling of electrical and electronic equipment. By ensuring this product is disposed of correctly, you will help prevent potential negative consequences for the environment and human health, which could otherwise be caused by the inappropriate waste handling of this product. For more detailed information about the recycling of this product, please contact your local council, your household waste disposal service, or the shop where you purchased the product.</p>