



Engineered To Perform

**M4 Series**  
**Use & Care Manual**  
Single Zone Wine & Beverage Coolers

M4-100SS | M4-100BLS | M4-100PANR



# TABLE OF CONTENTS

---

## SAFETY INSTRUCTIONS

Important Safety Information	4
Enclosure Package Contents	5

## INSTALLATION INSTRUCTIONS

<b>Anti-Tip Bracket Installation</b>	6
Wall-Mounted Anti-Tip Installation	6
Anti-Tip Installation on Freestanding Unit	7
<b>Supplementary Installation Instructions</b>	8
Levelling Unit Instructions	8
Handle Installation Instructions	8
<b>Built-In Installation Guidelines</b>	9
Cabinet Dimensions	9
Open Door Dimensions	9
Electrical Outlet Rough-In Location	10
Rough-In Dimensions	10
<b>Built-In Panel Ready Installation Guidelines</b>	11
Cabinet Dimensions	11
Open Door Dimensions	11
Electrical Outlet Rough-In Dimensions	12
Rough-In Dimensions	12
<b>Panel Ready Frame Dimensions</b>	13
Panel Ready Pre-Drilled Handle Holes	14

## OPERATING INSTRUCTIONS

<b>Understanding the Control Panel</b>	15
Basic Controls	15
Marathon Variable Cooling Progress Bar	16
Specialty Control	16
Demo Mode	16
Fahrenheit Mode	16
Sabbath Mode	16
Light Modes	17
Default Setting	17
Light Always On	17

## CARE & MAINTENANCE

Carbon Filters Replacement	18
----------------------------	----

## WARRANTY

Warranty & Service	19
Exclusions from Warranty	19



Congratulations on your new **MARATHON** appliance!

We invite you to read the user guide to ensure you get the most out of your wine & beverage cooler. We are confident that your new appliance has been engineered with our commitment to quality, performance, and luxury, ensuring many years of enjoyment. Should you need assistance or have any questions, please do not hesitate to reach out. As a proud Canadian, family-owned business, we have taken great pride in manufacturing your Marathon appliance in Elora, Ontario and are always committed to providing exceptional customer service whenever you need it.

Thank you again for choosing Marathon.

Cheers!

Doug D. Greenway  
President

Phil Greenway  
Vice President

## Important Safety Information

---



### WARNING



#### Read all instructions before using your wine and beverage cooler.

- Do not move your wine & beverage cooler while it is loaded with beverages. You may distort the cabinet. The wine & beverage cooler should be installed in a suitable place to avoid the possibility of touching the compressor.
- This appliance should not be used by children, and or by individuals with reduced physical, sensory, or mental capabilities. This product should only be operated by individuals with knowledge on how to operate the appliance and have the capacity to understand the hazards involved. Children shall not play with the appliance. Cleaning and user maintenance shall not be performed by children without supervision.
- If the power cord is damaged, it must be replaced by a Stirling Marathon authorized servicer or a similarly qualified individual to avoid a hazard.
- If the appliance is left empty for long periods, switch off, clean, dry the interior and leave the door open to prevent mould or odours developing in the appliance.



### DANGER



#### To reduce the risk of fire, electrical shock, or injury when using your appliance, follow these basic precautions:

- **DO NOT USE AN EXTENSION CORD**
- Risk of child entrapment
  - Before you throw away your previous appliance, please ensure to remove the door. Leave the shelves in place so that children may not easily climb inside.
  - Children should be supervised to ensure that they do not play with the appliance.
- Never clean appliance parts with flammable fluids. The fumes can create a fire hazard or explosion.
- Do not store explosive substances such as aerosol cans with flammable propellant in this appliance. The fumes can create a fire hazard or explosion.
- Keep ventilation openings, in the appliance enclosure or built-in structure, clear of obstruction;
- To avoid a hazard due to the possible instability of the appliance, it must be levelled following the instructions along with the anti-tip bracket
- Do not damage the refrigerant circuit.
- When positioning the appliance, ensure the power cord is not pinched or damaged.
- Do not locate multiple portable socket-outlets or portable power supplies at the rear of the appliance.
- Flammable and explosive items should never be put in or stored near the appliance.

**CAUTION!** Your wine & beverage cooler is equipped with a three-prong power cord which has a ground wire. The power cord should never be altered or used with an extension cord or power bar. Improper use of the grounding plug can result in the risk of electric shock. Consult a qualified electrician or service person if the grounding instructions are not completely understood. If the power cord is damaged, it must be replaced by a qualified technician.

- A) **DANGER** - Risk of fire or explosion. Flammable refrigerant used. Do not use mechanical devices to defrost your wine & beverage cooler. Do not puncture refrigerant tubing. This marking shall be located on or near any evaporator that can be contacted by the user.
- B) **DANGER** - Risk of fire or explosion. Flammable refrigerant used. To be repaired only by trained service personnel. Use only manufacturer-authorized service parts. Any repair equipment used must be designed for flammable refrigerants. Follow all manufacturer repair instructions. Do not puncture refrigerant tubing. This marking shall be located near the machine compartment.
- C) **CAUTION** - Risk of fire or explosion. Dispose your wine & beverage cooler properly in accordance with the applicable federal or local regulations. Flammable refrigerant used. This marking shall be located on the exterior of the wine & beverage cooler.
- D) **CAUTION** - Risk of fire or explosion due to puncture of refrigerant tubing; follow handling instructions carefully. Flammable refrigerant used. This marking shall be located near all exposed refrigerant tubing.



## WARNING



## Enclosure Package Contents

---

Every Marathon unit comes with a specially curated enclosure package designed to elevate both convenience and pride of ownership. Included is an anti-tip bracket for built-in applications, an anti-tip kit for freestanding applications and all corresponding hardware — everything you need for a seamless and secure setup. Inside you'll find the following components:



A Wall-mounted anti-tip bracket, with hardware kit.



B Freestanding anti-tip kit, giving you a more flexible installation option based on your space.

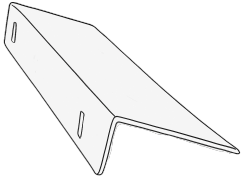


C Screws for custom panel installation. Applicable exclusively for panel ready models.

**IMPORTANT:** You must choose between A or B anti-tip options, depending on what works best for your installation needs. **Please note the 2 wall anchors provided in Package A are to be used with either anti-tip option you decide to go with. Every install is unique and therefore may require alternate hardware for safe installation.**

## Wall-Mounted Anti-Tip Installation

### Anti-tip bracket assembly kit



Anti-tip bracket (1)

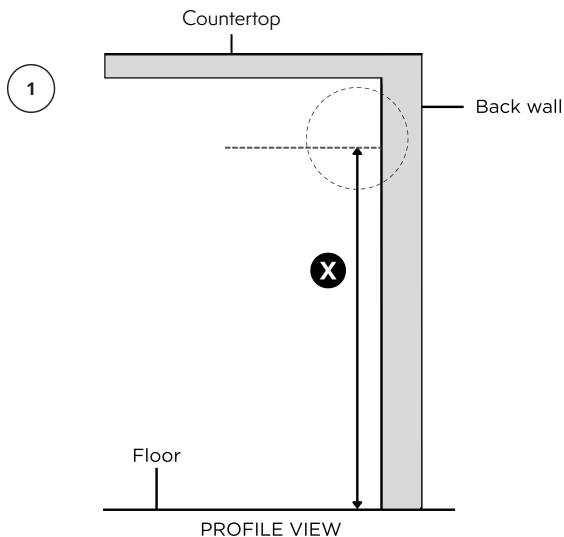


Wall anchors (2)

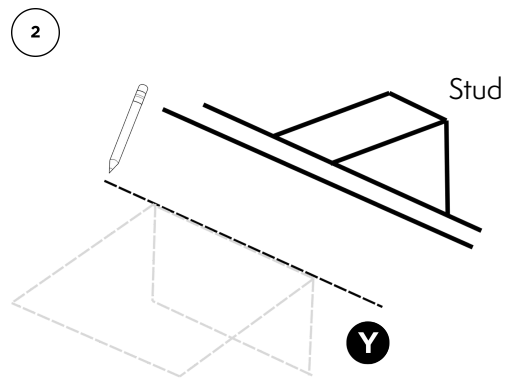


Screws (2)

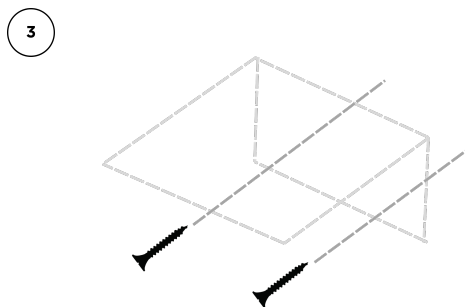
On built-in installations, once the appliance is in place and levelled, secure the anti-tip bracket underneath the countertop using the two provided screws. If the bracket for the anti-tip system cannot be secured above the appliance and no wood is available, relocate the bracket for the anti-tip system to the side of the appliance for securing into an adjacent cabinet.



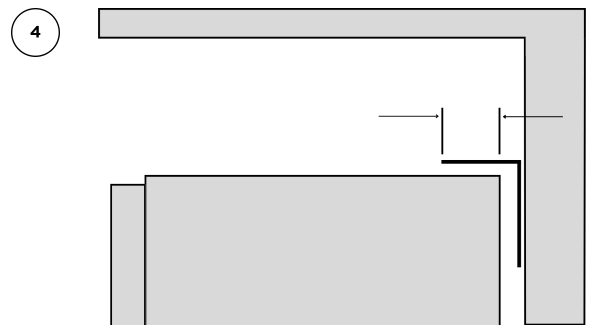
Measure the height (X) of the attachment location from the floor to the alcove return. Ensure the appliance does not tip over during installation.



Make a horizontal line (Y) at the back wall. Ensure there is a stud behind the wall. Place the anti-tip bracket to the back wall. Align the under surface of the bracket along the marked line. Mark screw hole locations, and drill screw holes with powered drill.



Drill holes suitable to the size of the wall anchors provided. Hammer in the wall anchors into the wall until flush. Fix the anti-tip bracket to the wall with the black screws provided, and screw tightly.



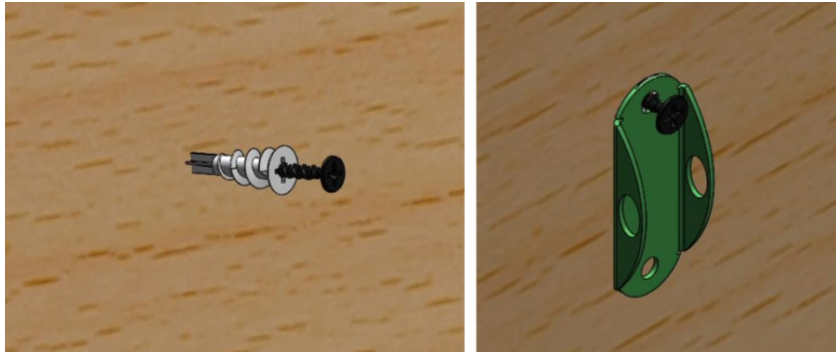
When sliding the appliance into the cabinetry, ensure the anti-tip bracket overlaps the back edge of the appliance.

## Anti-Tip Installation On Freestanding Unit

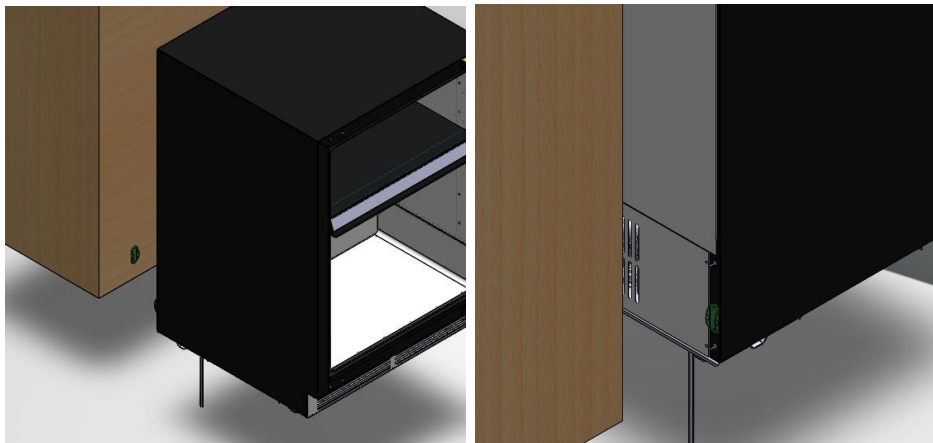
**Step 1:** Use a pen to mark the screw hole positions on the metal mount against the wall.

**Step 2:** Secure the wall anchor to the drywall with a long screw using a screwdriver.

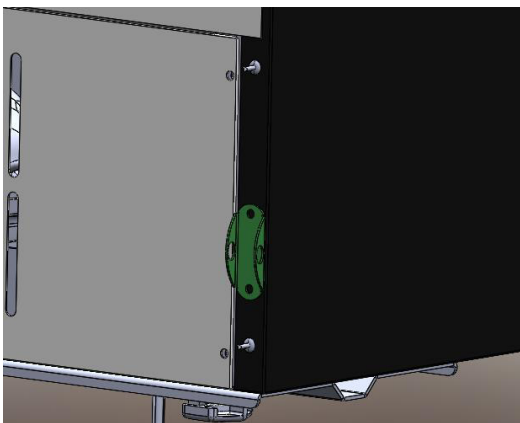
**Step 3:** Remove the screw, then position the metal bracket so that it is sandwiched between the anchor and the screw before reattaching the screw.



**Step 4:** Note: Install the metal bracket along the lower edge behind the wine cooler or at the side margin of the drywall to ensure sufficient operational space during installation.



**Step 5:** Using a self-tapping screw, secure the second metal bracket to the lower back leg of the wine cooler, as shown in the figure.

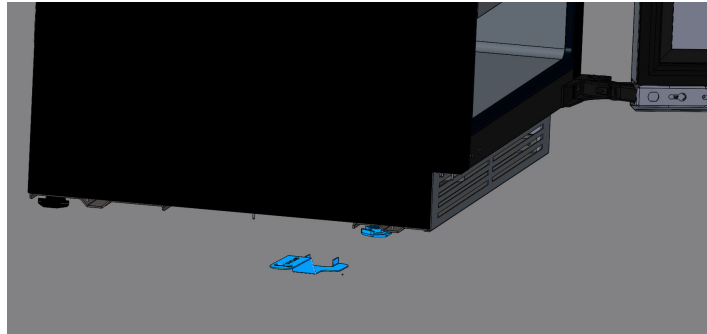


**Step 6:** Pass the metal strap through both mount holes of metal brackets. Secure the strap by fastening the connector.



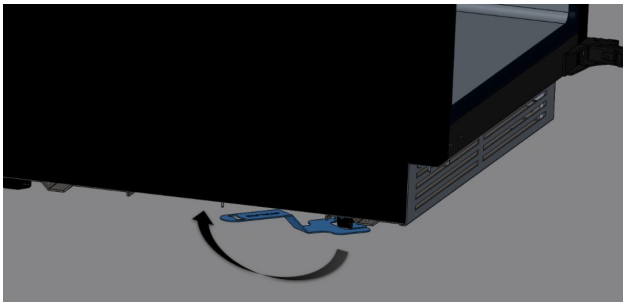
## Levelling Unit Instructions

Use the levelling wrench provided (found in the enclosure package) to adjust the levelling feet located underneath the appliance.



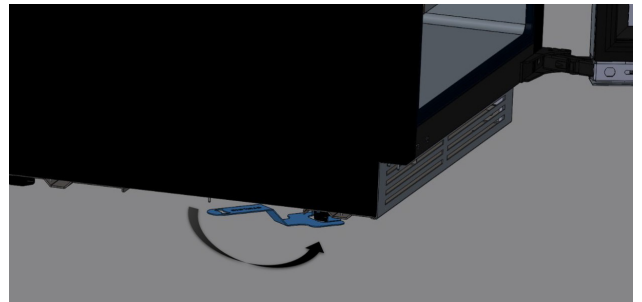
### To Raise the Unit

1. Align the wrench opening around the levelling foot as shown.
2. Rotate the wrench clockwise to raise the height of the product.



### To Lower the Unit

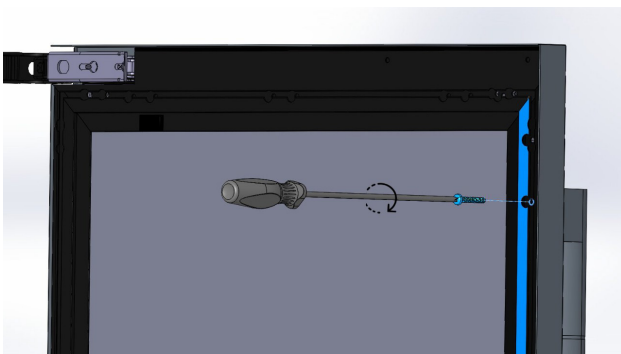
1. Align the wrench opening around the levelling foot as shown.
2. Rotate the wrench counterclockwise to lower the height of the product.



## Handle Installation Instructions

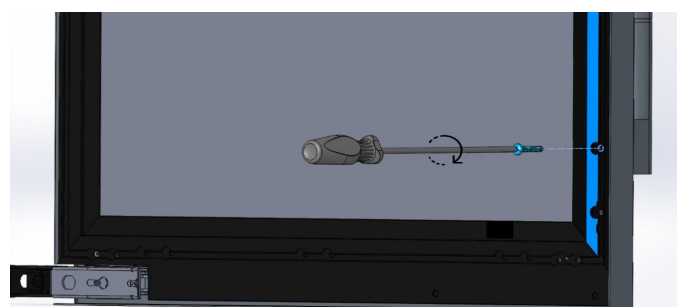
### 1. Align the Handle:

Position the handle so that the screw holes on the handle align with the pre-drilled holes on the door frame, as shown in the images.



### 2. Secure the Screws:

- Carefully peel back the gasket on the inside of the door. You will find the handle screws in the pre-drilled holes. Insert the screws into the handle holes.
- Using a screwdriver, rotate clockwise to tighten the screws firmly into place (see illustrations).
- To ensure an adequate seal, press the gasket back in the door frame channel.

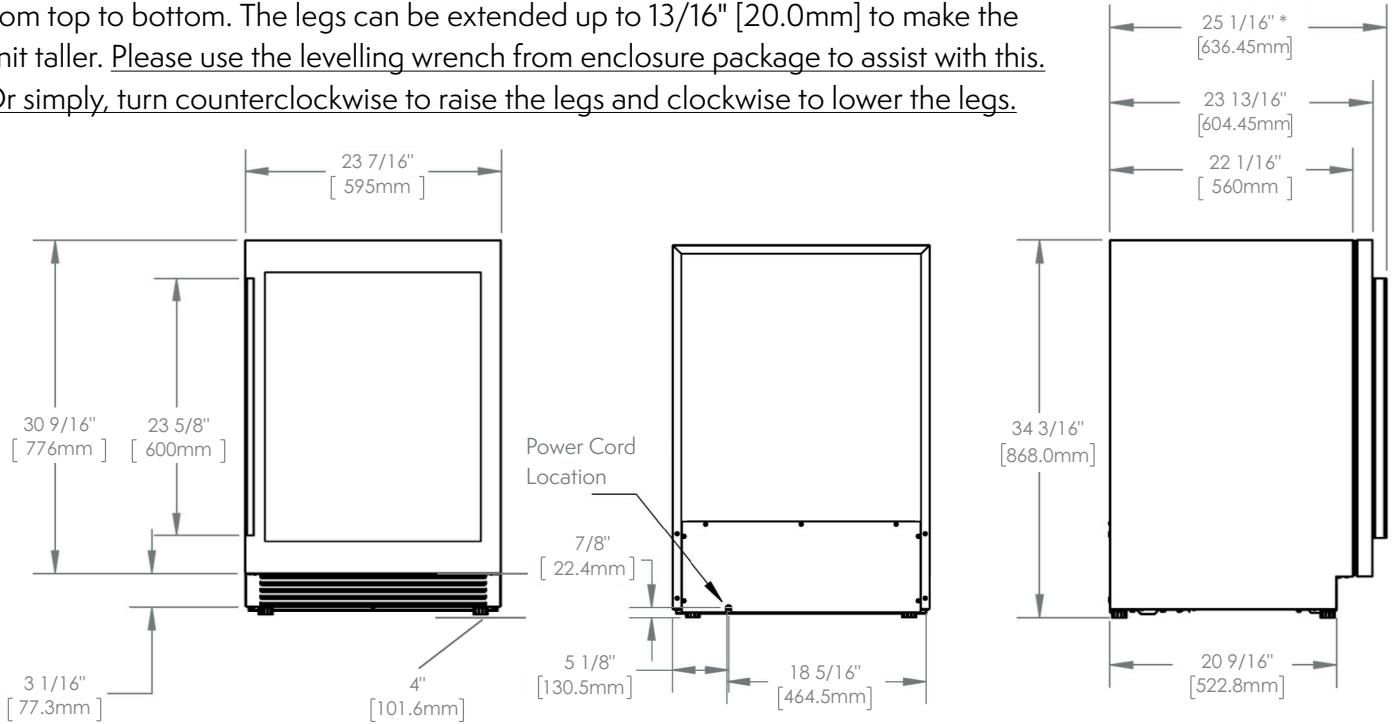


## Built-In Installation Guidelines

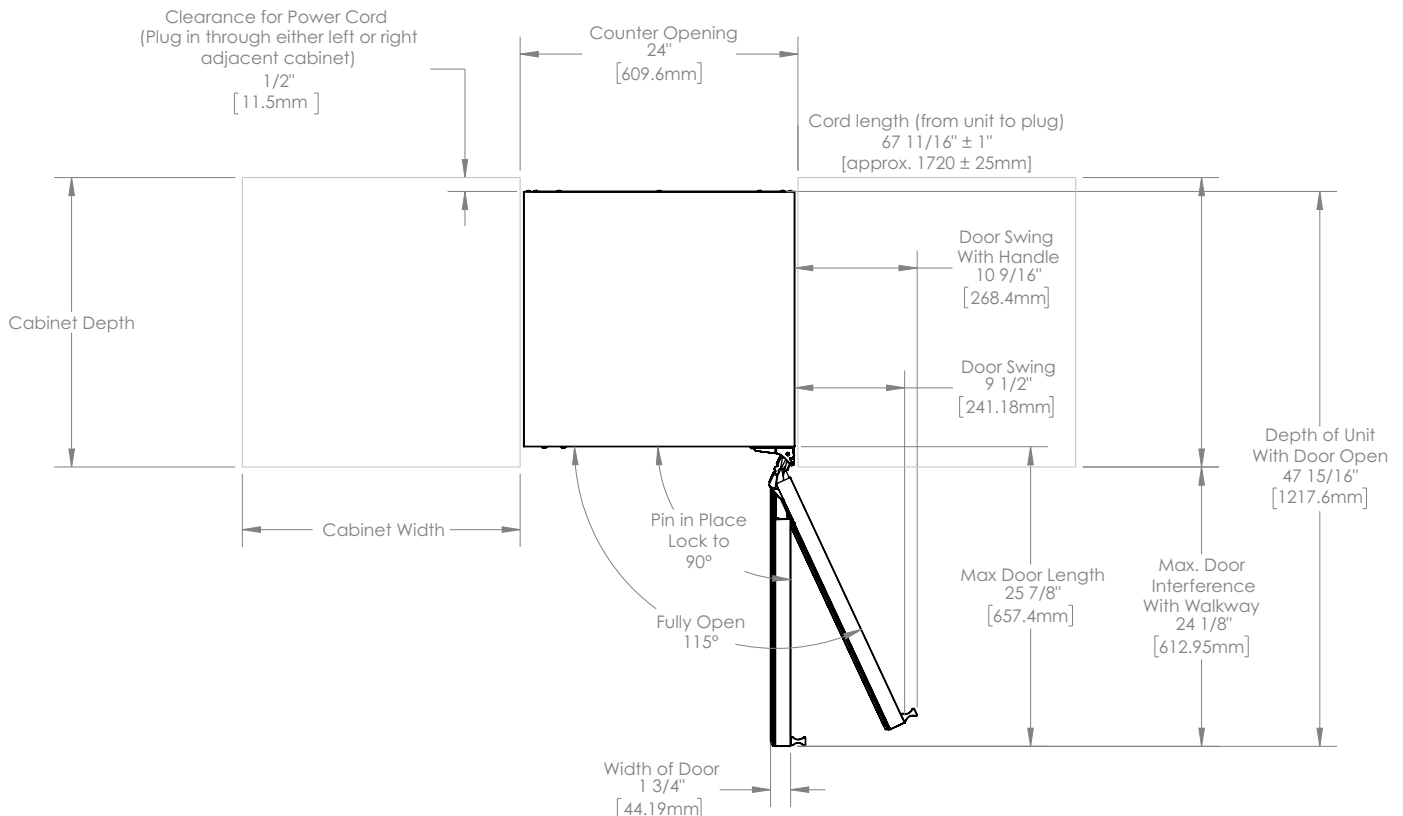
Model: M4-100SS, M4-100BLS

### Cabinet Dimensions

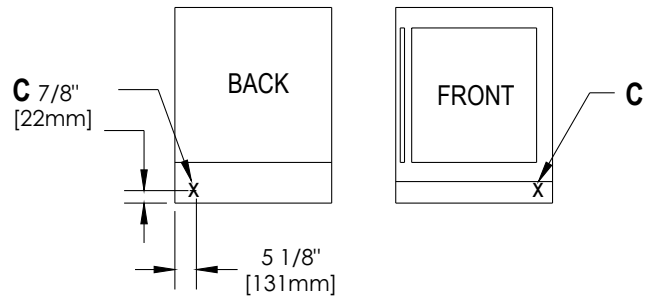
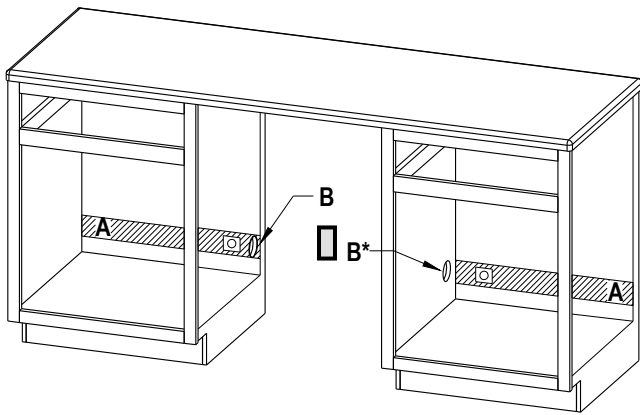
**Note:** With legs fully retracted the minimum overall height is 34 3/16" [868.0mm] from top to bottom. The legs can be extended up to 13/16" [20.0mm] to make the unit taller. Please use the levelling wrench from enclosure package to assist with this. Or simply, turn counterclockwise to raise the legs and clockwise to lower the legs.



### Open Door Dimensions

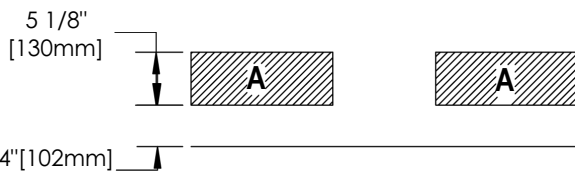


## Electrical Outlet Rough-In Location



The power cord can be plugged in behind the unit; however for ease of cleaning and service, we recommend the power cord routed to the adjacent cabinet if possible.

### A: Recommended area for installation connection



### B: To route power cord to outlet - a 2 1/2 inch [63mm] diameter hole through wall of the adjacent cabinet is recommended.

\*The cabinet on the right hand side (when facing the front of the cabinet) is the preferred location to wire through.

### C: Location of power cord is on the back left of the unit.

For flush installation it is recommended to plug in the power cord beside the unit, not directly behind.

## Rough-In & Product Dimensions

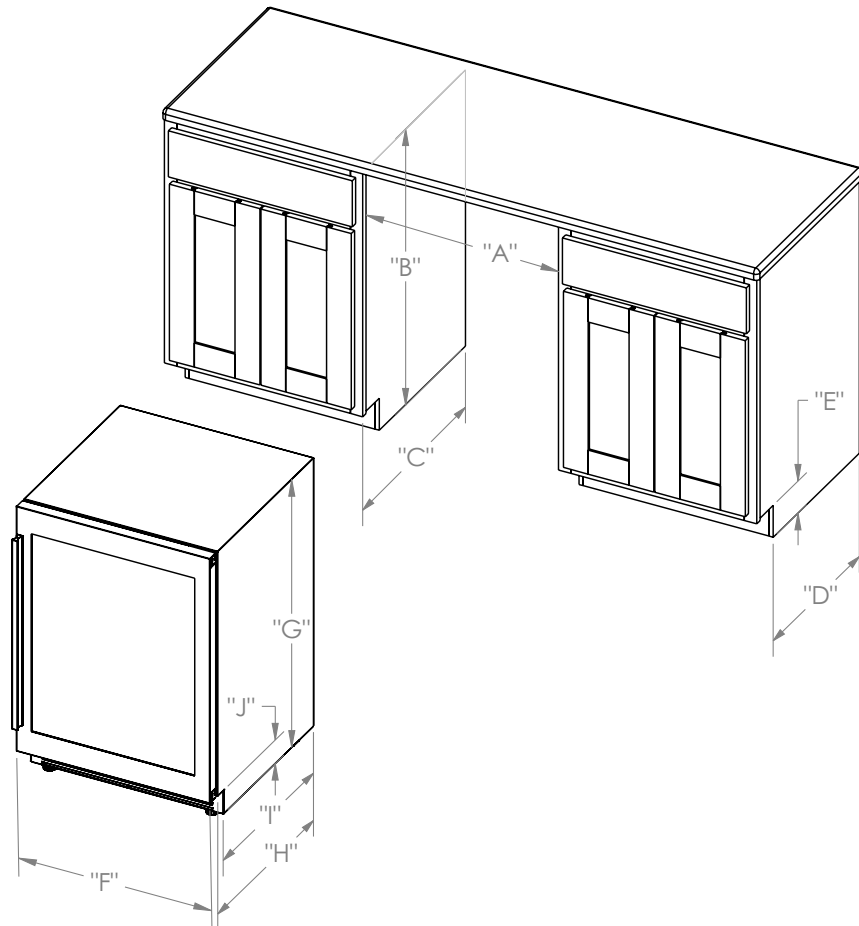
### Rough-In Dimensions

A. Rough-In Width	24" [610mm]
B. Rough-In Height	34 1/2" [877mm] to 35 1/8" [892mm]
C. Rough-In Depth	24 5/16" [617mm]
D. Rough-In Depth Kickplate	21 3/4" [552mm]
E. Rough-In Kickplate Height	4" [101.6mm] to floor

### Product Dimensions

F. Width	23 7/16" [595mm]
G. Height	34 3/16" [868mm] to 35" [888mm]
H. Depth*	23 7/8" [605.5mm]
I. Depth to Kickplate	20 9/16" [523mm]
J. Kickplate Height	4" [101.6mm] to floor

\*Does not include handle.



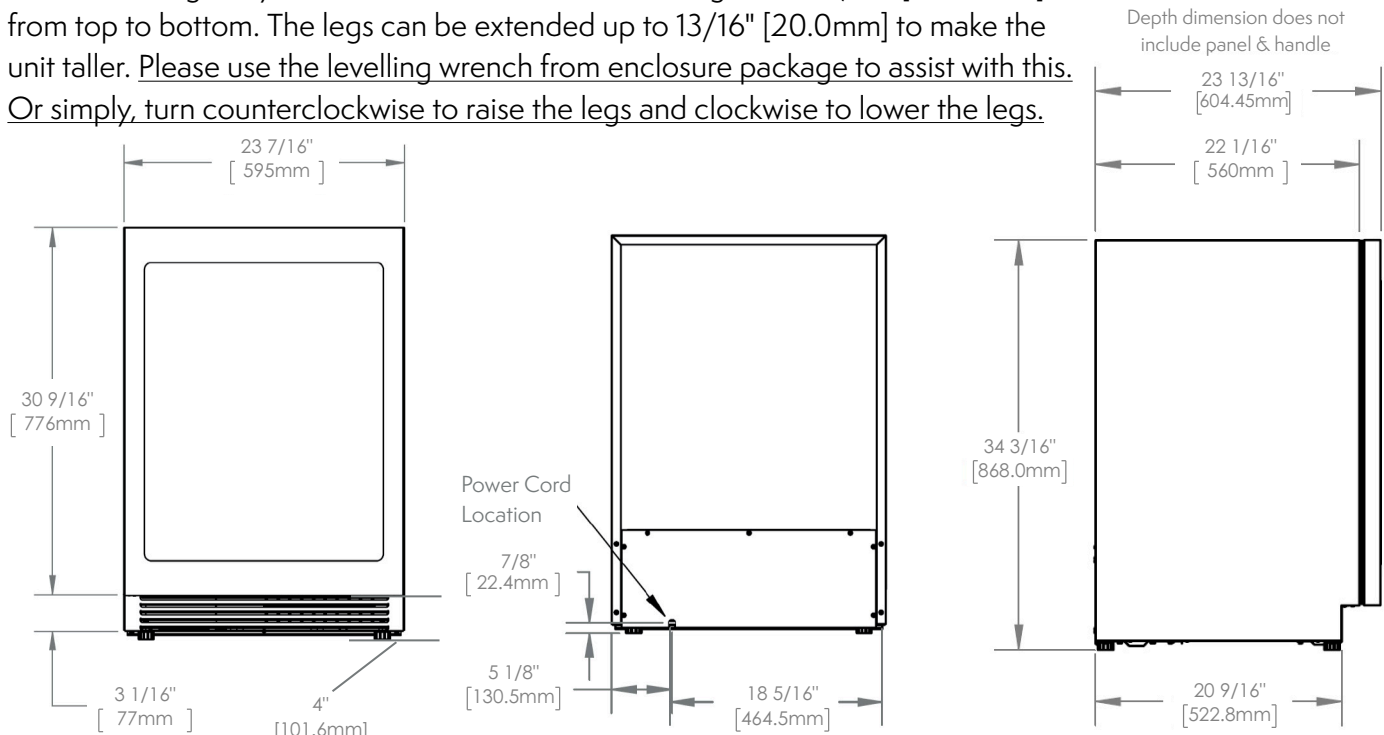
## Built-In Panel Ready Installation Guidelines

Model: M4-100PANR

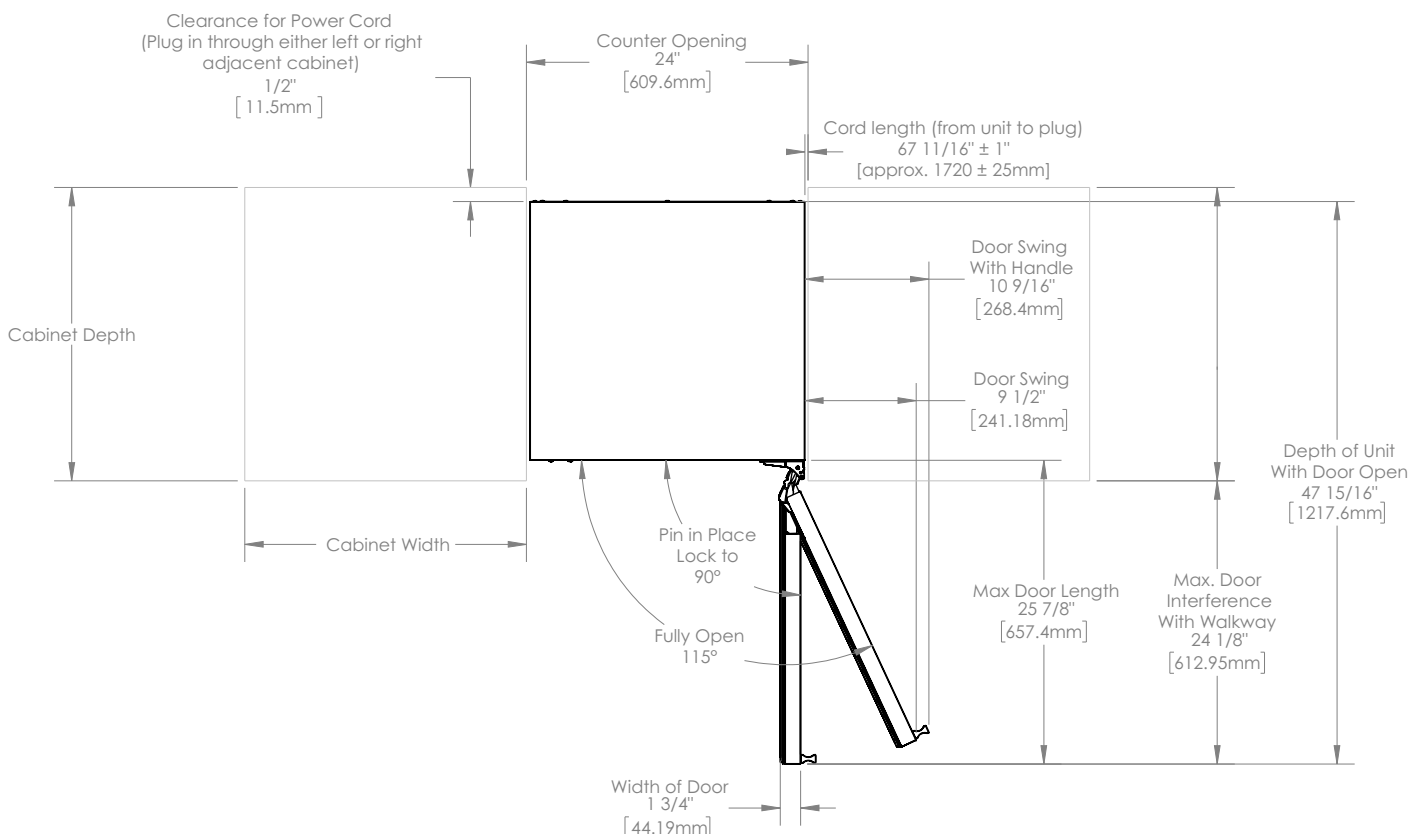
**Note:** This appliance is designed to accommodate custom cabinet panels (either full or frame-style) by mounting onto the aluminum frame surrounding the humidity-controlled glass window.

### Cabinet Dimensions

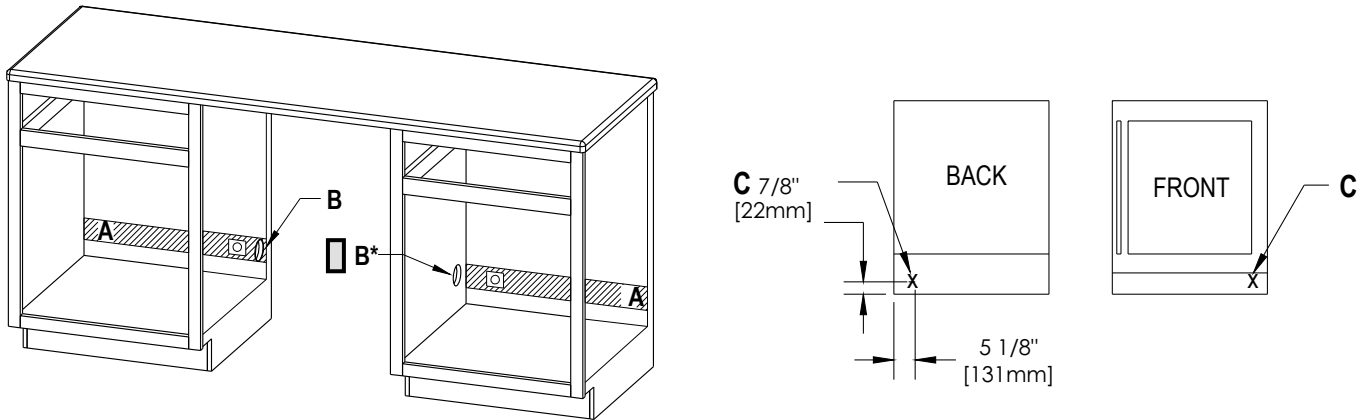
**Note:** With legs fully retracted the minimum overall height is 34 3/16" [868.0mm] from top to bottom. The legs can be extended up to 13/16" [20.0mm] to make the unit taller. Please use the levelling wrench from enclosure package to assist with this. Or simply, turn counterclockwise to raise the legs and clockwise to lower the legs.



### Open Door Dimensions

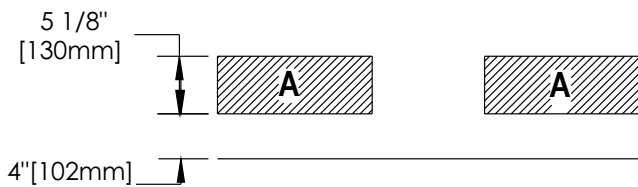


## Electrical Outlet Rough-In Location



The power cord can be plugged in behind the unit; however for ease of cleaning and service, we recommend the power cord routed to the adjacent cabinet if possible.

### A: Recommended area for installation connection



For flush installation it is recommended to plug in the power cord beside the unit, not directly behind.

### B: To route power cord to outlet - a 2 1/2" [63mm] diameter hole through wall of the adjacent cabinet is recommended.

\*The cabinet on the right hand side (when facing the front of the cabinet) is the preferred location to wire through.

### C: Location of power cord is on the back left of the unit.

## Rough-In & Product Dimensions

### Rough-In Dimensions

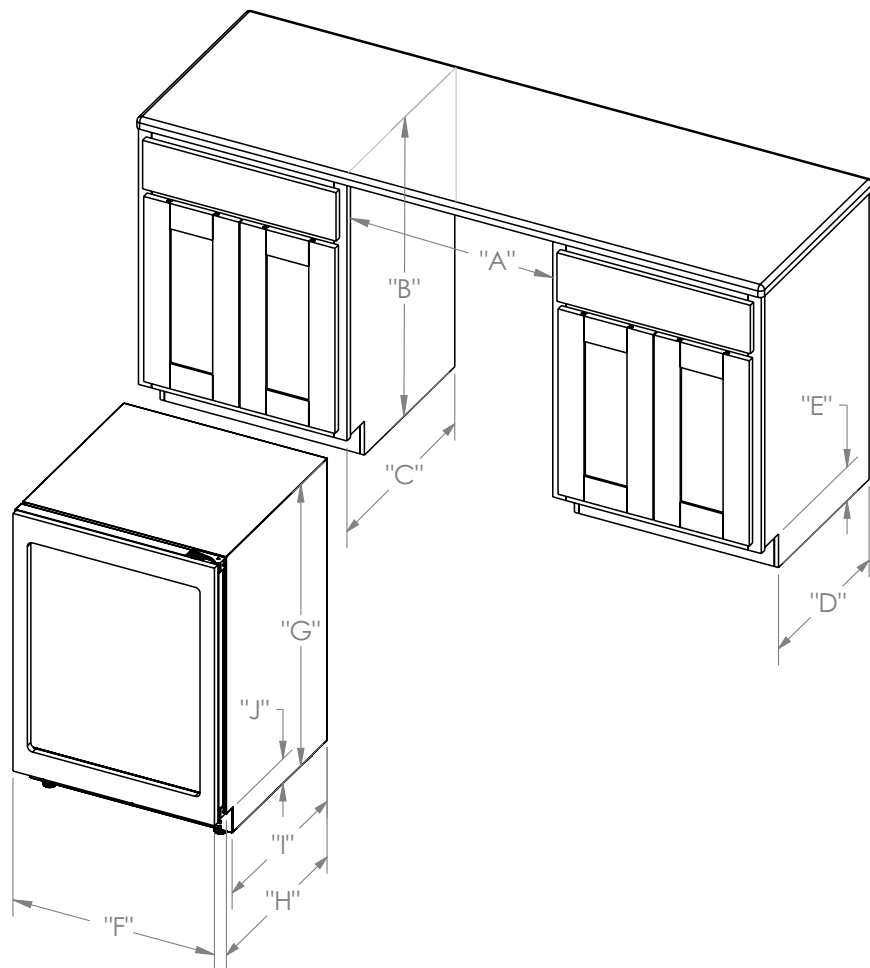
A. Rough-In Width	24" [610mm]
B. Rough-In Height	34 1/2" [877mm] to 35 1/8" [892mm]
C. Rough-In Depth	24 7/8" [632mm]* 25" [635mm]**
D. Rough-In Depth Kickplate	21 13/16" [554mm]
E. Rough-In Kickplate Height	4" [101.6mm] to floor

### Product Dimensions

F. Width	23 7/16" [595mm]
G. Height	34 3/16" [868mm] to 35" [888mm]
H. Depth *	24 7/16" [620.5mm] 24 9/16" [623.5mm]
I. Depth to Kickplate	20 9/16" [523mm]
J. Kickplate Height	4" [101.6mm] to floor

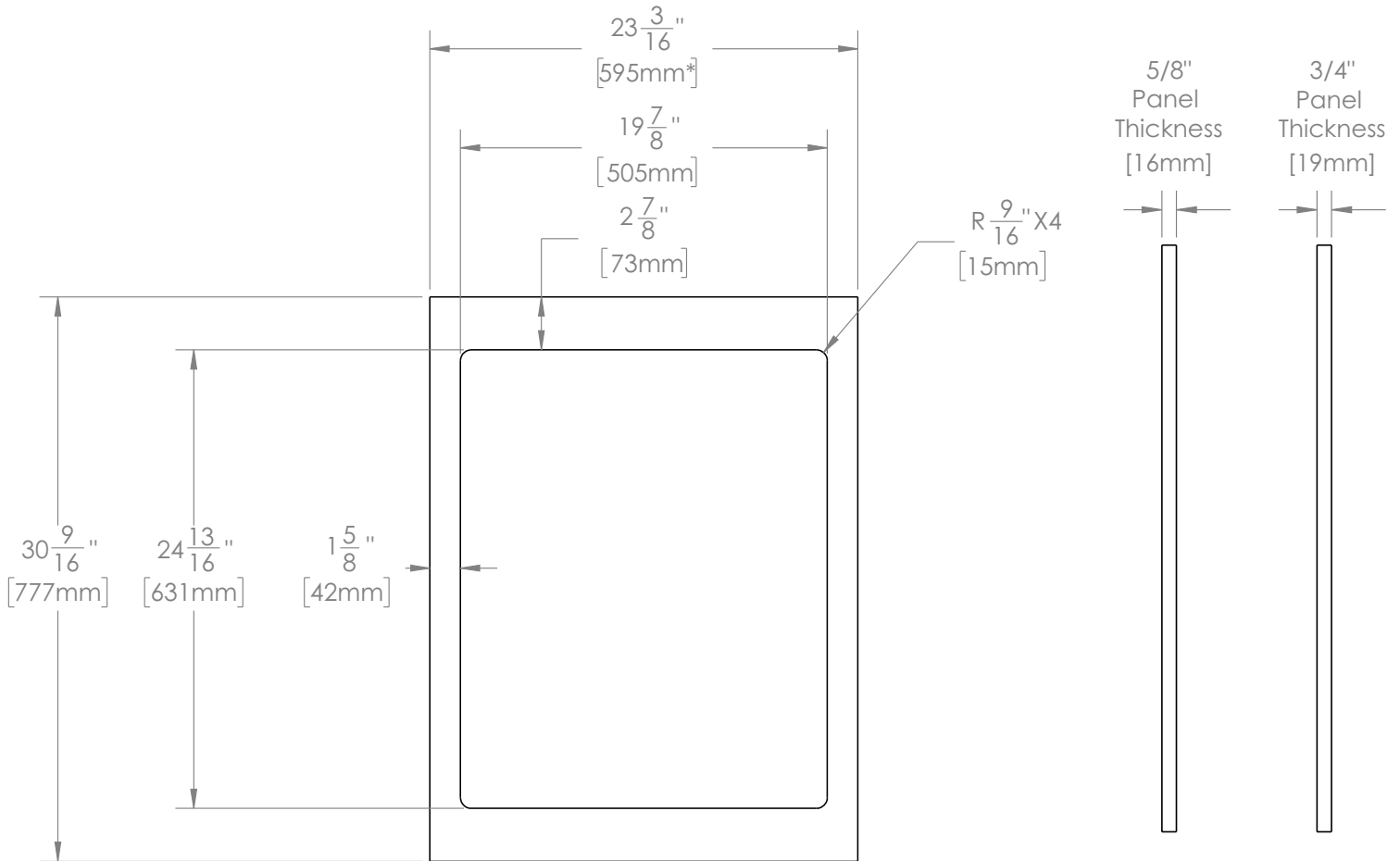
\*With 5/8" [16mm] thick panel.

\*\*With 3/4" [19mm] thick panel.



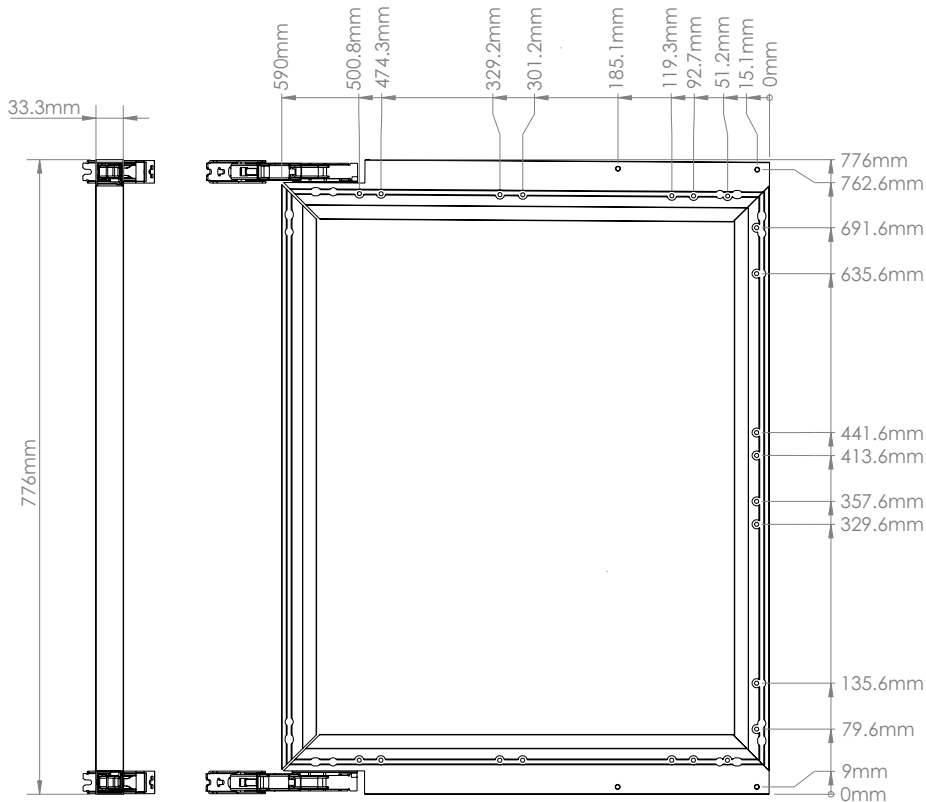
# Panel Ready Frame Dimensions

Model: M4-100PANR



All dimensions provided in this manual are nominal values and subject to standard manufacturing tolerances. Due to variations in production and assembly processes, actual measurements may differ slightly from the values stated. These variations are within industry-accepted tolerances and do not affect the intended functionality or performance of the product.

## Panel Ready Pre-drilled Handle Holes



**Note A:** All holes are M5.

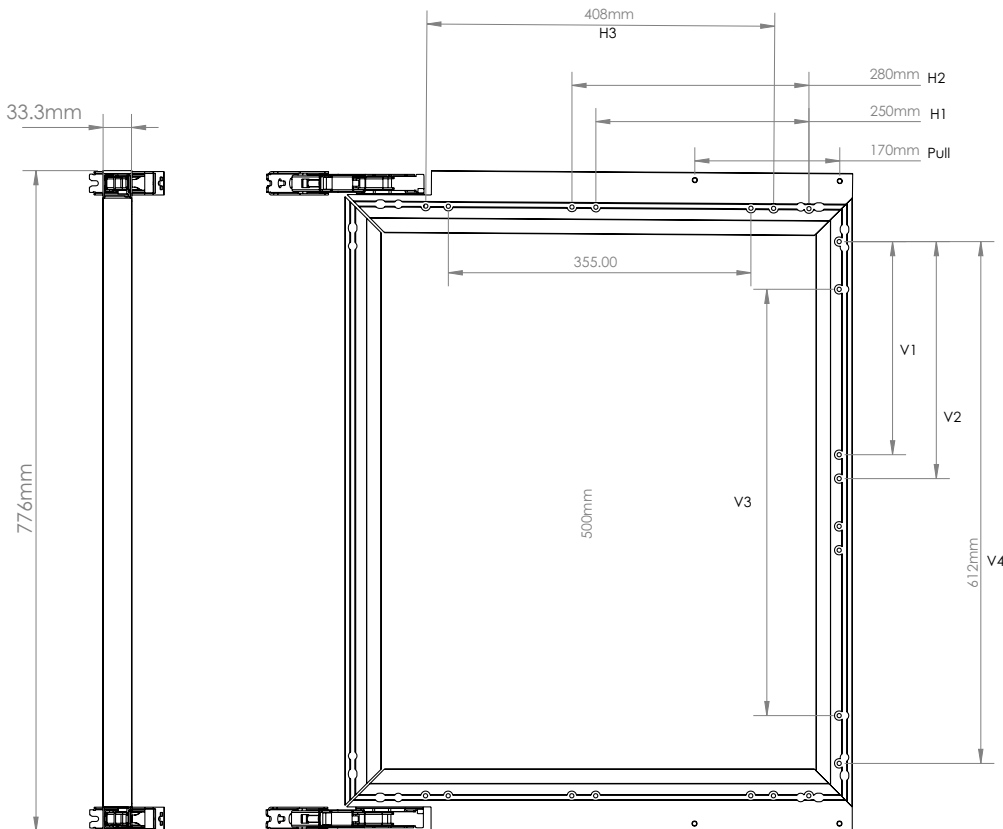
**Note B:** Manually adding custom screw holes can be done by drilling M5 holes through the aluminum frame.

**i)** Holes drilled for vertical handles should be  $15.3 \pm 0.5$  mm from the vertical edge closest to the handle.

**ii)** Holes drilled for horizontal handles should be  $41.6 \pm 0.5$  mm from the horizontal edge closest to the handle.

## Center to Center

**NOTE:** All holes are M5



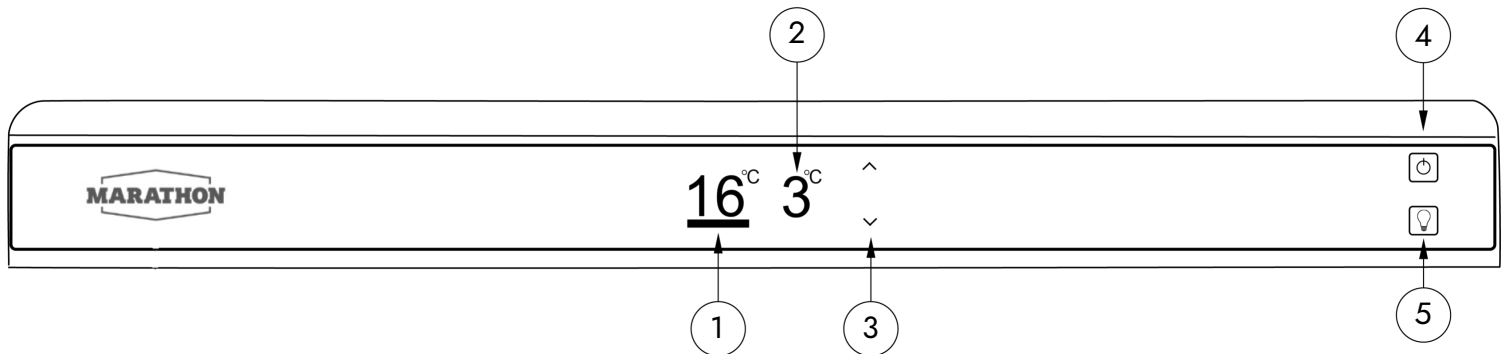
### Vertical Handles

NAME	CENTER TO CENTER DISTANCE	
	mm	in
V1	250	$9 \frac{13}{16}$
V2	278	$10 \frac{15}{16}$
V3	500	$19 \frac{11}{16}$
V4	612	$24 \frac{1}{8}$

### Horizontal Handles

NAME	CENTER TO CENTER DISTANCE	
	mm	in
Pull	170	$6 \frac{11}{16}$
H1	250	$9 \frac{13}{16}$
H2	280	11
H3	408	$16 \frac{1}{16}$

## Understanding the Control Panel



- ❶ Marathon Variable Cooling Progress Bar
- ❷ The Desired Set Temperature
- ❸ Temperature Adjustment
- ❹ Power Button
- ❺ Lights On/Off

### BASIC CONTROLS



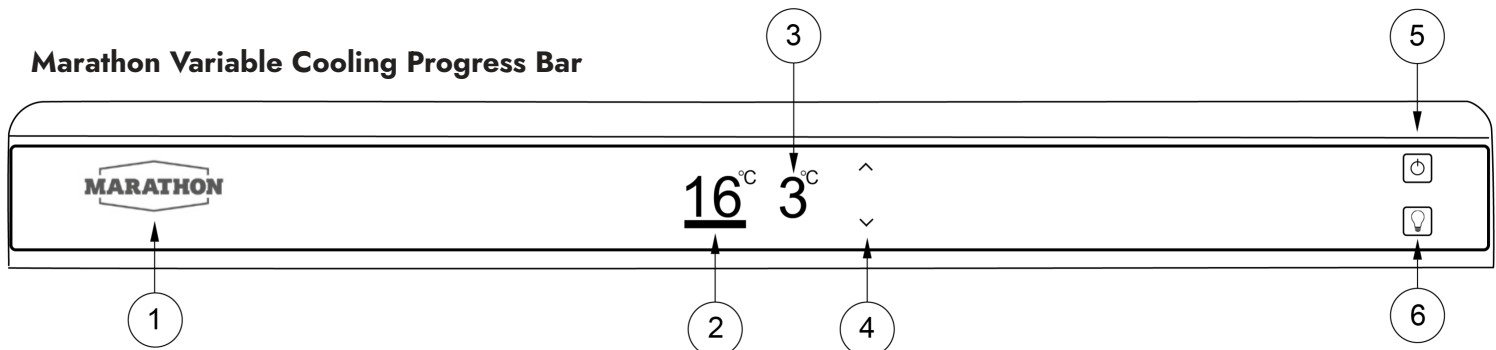
Press and hold for **5 seconds** to power on or off the wine cooler, this turns off all components and lights.

Press or to adjust the desired temperature of the wine & beverage cooler

To set the temperature simply press the arrows until you see the desired temperature. Once you land on the desired number the temperature is set. The number(s) displayed on the control panel will revert back to the actual ambient temperature in that zone.

**Temperature control range:** 3-20°C (37.4-68°F)

## Understanding the Control Panel






The TFT screen displays the actual internal air temperature of your Marathon Wine & Beverage Cooler.

- 2** Marathon Variable Cooling Progress Display Bar will remain solid white once the set temperature is reached. The bars will “roll” while the appliance is in active Variable Cooling mode, to synchronize the ambient temperature with the desired set temperature. The red rolling bar indicates it is warming the interior and the blue rolling bar indicates it is actively cooling.




**!** Once you set your desired temperature setting it is recommended not to adjust it frequently. The thermostat is accurate and will maintain the temperature inside the wine & beverage cooler. Please note that depending on the thickness of the wine bottle (or cans) and loading of the shelves, the actual temperature of the wine may differ from the wine and beverage cooler setting by +/- 1-2°C.

### SPECIALITY CONTROL

#### DEMO MODE:


Press  and  at the same time for **5 seconds** to enter demo mode. Once in demo mode all lights will turn ON, and the temperature display remains adjustable and will display the ambient temperature. If you prefer to have the lights off while in demo mode, you can simply touch the  icon. The compressor and blowers will not run in this setting. Exit demo mode by pressing the light and power button for another **5 seconds**.

#### FAHRENHEIT MODE:

Press both of the  and  arrows at the same time for **5 seconds**. This will change the temperature readout from °C to °F. To return to Celsius press and hold both right arrows  at the same time for **5 seconds**.

#### SABBATH MODE:

This setting is intended for users that celebrate certain religious observances & specific holidays. The appliance will actively cool but will not run at full capacity.

Press the right  arrow for **5 seconds** to enter Sabbath mode. All LED lights and button backlighting will turn off. Temperature display readout reduces to 50% brightness while the blowers and compressor function as normal. To leave Sabbath mode press and hold the upper arrow on the right of the display for **5 seconds**.

## LIGHT MODES:





Press to turn on or off the lights.

## DEFAULT SETTING:

Interior LED lights, logo and control buttons are OFF when door is closed and ON when door is open. Temperature display appears at 100% brightness when door is opened or closed.

## LIGHT ALWAYS-ON:

To keep the lights on while the door is closed, Press . The LED lights, all control icons and logo remain ON all the time. To indicate that you are in Light Stay mode a light bulb symbol will appear beneath the temperature display numbers.

To return to default mode press  or wait 3 hours and the lights will automatically go back to default mode.

## Carbon Filters Replacement

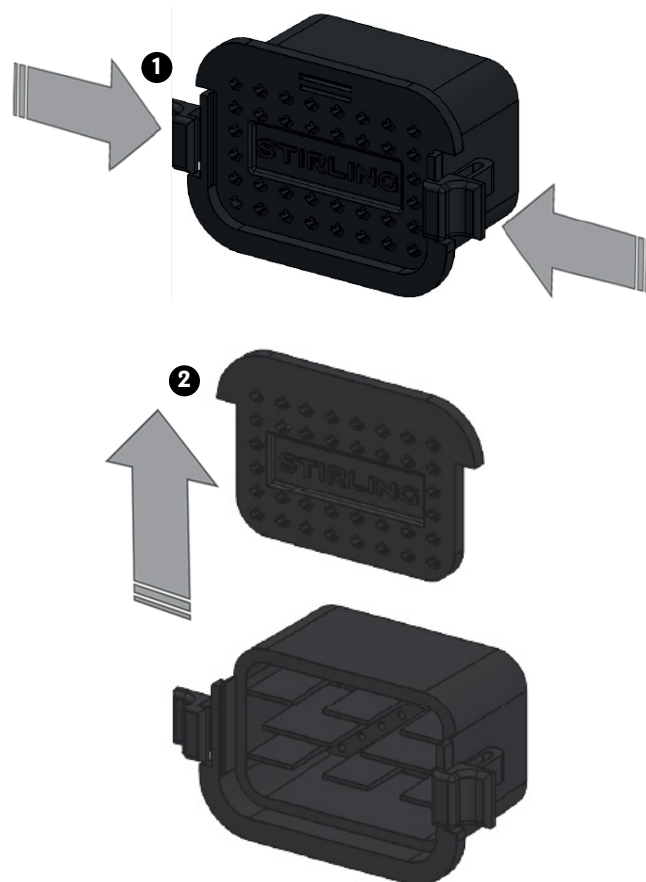
---

### INSTRUCTIONS

To replace the filters in your Marathon Wine Cooler, begin by locating the filter in the upper right corner of the Wine Cooler. If your Wine Cooler is the Dual Zone model, there will be two filters, one in the upper right corner of each section of the fridge. If your Wine Cooler is a Single Zone model, there will only be one filter to replace.

To remove the filter, pinch in the sides and pull it out from its slot in the metal piece **1**. Once the filter has been removed from the fridge, slide up on the front face of the filter **2** to remove the cover. Then dump out the expired contents of the filter and replace it with fresh replacement filters.

To re-install the filter, slide the front face cover back into the body of the filter and reposition the filter into its original place, once the filter clicks into the back face of the Wine Cooler, you have successfully replaced your filter.





## Warranty & Service

---

When operated and maintained according to the instructions in the Use & Care Guide, Marathon a registered trademark of Stirling Marathon Limited agrees to repair or replace this product for 2 years from the date of original purchase and/or agrees to pay for parts and service/labour required to correct defects in materials or workmanship. Any Service must be approved and provided by an Authorized Stirling Marathon Service provider. YOUR EXCLUSIVE REMEDY UNDER THIS LIMITED WARRANTY SHALL BE PRODUCT REPAIR OR REPLACEMENT AT THE SOLE DISCRETION OF STIRLING MARATHON LIMITED AS PROVIDED HEREIN. This limited warranty is valid only with proof of original purchase and confirmed warranty registration.

## Exclusions from Warranty

---

- No warranty or insurance herein contained or set out shall apply when damage or repair is caused by any of the following: accident, alteration, abuse or misuse of the appliance such as inadequate air circulation in the room or abnormal operating conditions (extremely high or low room temperature) or improper installation.
- Content losses due to failure of the unit.
- Service or Repair by unauthorized service technicians.
- Service calls that do not involve defects in material and workmanship such as instruction on the proper use of the product, door reversal or improper installation.
- Replacement or resetting of house fuses or circuit breakers.
- Delivery costs incurred as the result of a unit that fails.
- Expenses for travel and transportation for product service if your appliance is located in a remote area where service by an unauthorized service technician is not available.
- The removal and re-installation of your appliance if it is not installed correctly or is in an inaccessible location, as per the published installation instructions.
- Liability under this warranty is limited to repair, replacement or refund. If a replacement unit is not available or the unit cannot be repaired, liability is limited to the actual purchase price paid by the consumer.
- This warranty applies only to the original purchaser and does not extend to any subsequent owner(s) and is non-transferable.
- Use for rental, commercial or industrial purposes (i.e. If the appliance is not installed in a domestic residence). Fire, water damage, theft, war, riot, hostility, acts of God such as hurricanes, floods etc.

For service and/or assistance please contact us at:  
[customerservice@stirlingmarathon.com](mailto:customerservice@stirlingmarathon.com) or visit us at  
[www.stirlingmarathon.com](http://www.stirlingmarathon.com).