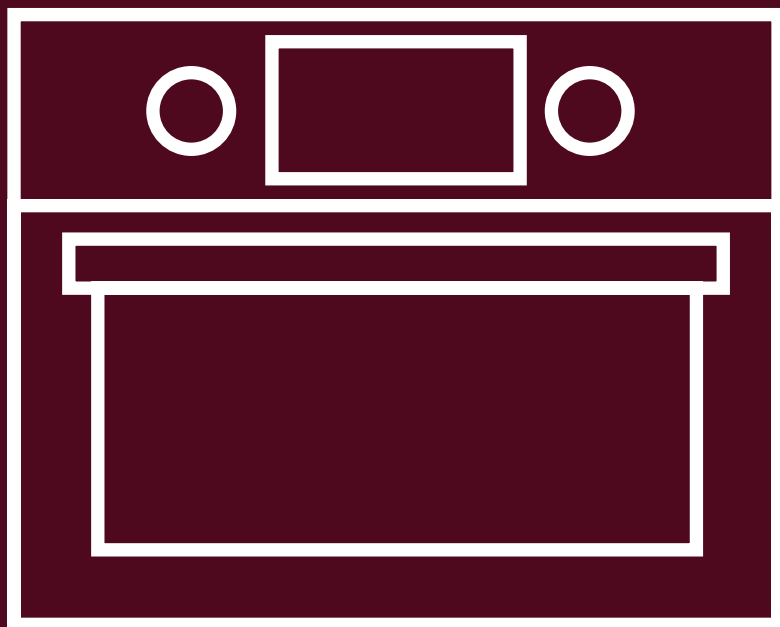


AEG

OVENS



B3007BLG-2

30" Built-In Multi-Function Oven



GENERAL PROPERTIES

Type	Multifunction Oven
Colour	Black Glass / Stainless Steel
Handle	Mastery Range Stainless Steel Square Handle
Control Type	Touch Electronic Control
Viewing Window	MaxiView™ Enlarged Window
Number of Cooking Functions	12 Including True Fan Convection
Cleaning Program	3x Cataluxe® heat-activated catalytic liners for a continuous clean
Total Oven Capacity (Cu. Ft. / L)	MaxiKlasse® 3.5 Cu.Ft. (98L)
Number of Shelf Positions	6 Shelf Positions
Cooking Technology	ThermiC® hot air cooking technology for perfect cooking
Display	LCD Display
Timer Functions	Digital timer
Clock Display	12 - 24 hour clock / timer
Interior Oven Light	2x Interior Lighting
Light Position	2x Rear Position
Door	Removable door, Removable triple layers, outer black silkscreened glass with transparent window
Cooling Fan	Yes
Heavy duty chrome rack	Yes
Safety Features	Power ventilated glazed door
Oven Functions	True Convection, Conventional, Low Bake, High Bake, Fan Assist, Full Grill+Fan, Pizza mode, Convection+Half Grill, Fan Grill, Full Grill, Half Grill & Defrost
Automatic Cooking Functions	No
Temperature of Measurement	Degree C° temperature display
Electrical Requirements (Condominium)	208 V / 60 Hz / 20 Amp / 3350 W
Electrical Requirements (House)	240 V / 60 Hz / 30 Amp / 4460 W
Light Power	90 W
Temperature	Up to 250°C (480°F)
Power Cord	Supplied with a 5' long electrical cable and must be hard wired to the electrical supply.

FEATURES & BENEFITS

German Engineered

AEG ovens are engineered to integrate seamlessly into any kitchen environment while delivering innovative design and professional performance every homeowner demands.

Perfect Cooking Every Time

Every meal should be an experience. True Fan Convection distributes heat evenly throughout the oven ensuring perfect cooking temperatures.

Master The Way You Cook

12 Different cooking functions allow you to master the finer art of cooking. Everything from making bread and pastries to your favorite holiday dinners.

Bottom Heat

Allows you to complete the cooking of foods that require a higher bottom temperature without affecting their browning. Perfect for cakes, pies, tarts, & pizzas.

Cool-Touch Door

The power ventilated triple glazed glass door ensures that the outer door surface stays cool - making the oven always safe to touch and operate from the outside.

ACCESSORIES

Included	1 x Grill / roasting pan, 1 x Reversible grill insert, 1 x Chrome oven rack, Full extensions telescopic rails (1 pair)
Optional available bottom Vent Grill (7420465)	Cut-out in the toe kick is required for adequate air flow.

DIMENSIONS

Product Dimensions (In / mm) (W / H / D)	29 ^{7/8"} / 24 ^{3/8"} / 21 ^{1/2"} (758mm / 619mm / 546mm)
Cut-Out Dimensions (In / mm) (W / H / D)	27 ^{15/16"} / 23 ^{3/16"} / 22 ^{11/16"} minimum (710mm / 589mm / 576mm) minimum

WARRANTY

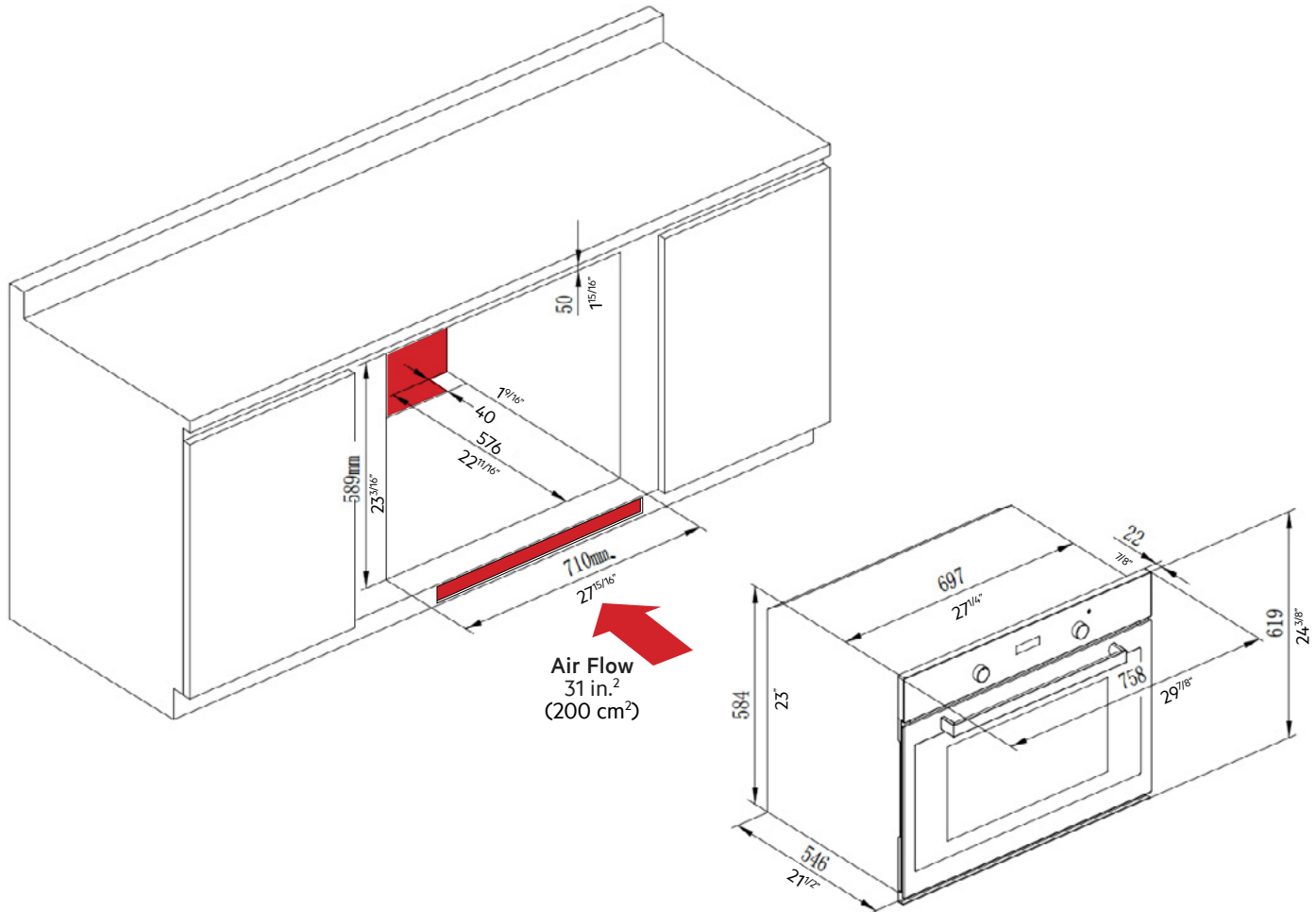
Parts & Labor	2 Years
---------------	---------

PRODUCT DIMENSIONS

In (W / H / D)	29 ^{7/8"} / 24 ^{3/8"} / 21 ^{1/2"}
mm (W / H / D)	758 / 619 / 546

CUT-OUT DIMENSIONS

In (W / H / D)	27 ^{15/16"} / 23 ^{3/16"} / 22 ^{11/16"} minimum
mm (W / H / D)	710 / 589 / 576 minimum



ELECTRICAL

Power Supply (Condo)	208 V / 60 Hz / 20 Amp / 3350 W
Power Supply (House)	240 V / 60 Hz / 30 Amp / 4460 W

VOID CUT-OUT

- If the oven is mounted in a tall or semi-tall cabinet, there must be a minimum gap of 1^{9/16"} (4cm) cut-out of the shelf and behind the upper cabinet to allow air to flow freely.
- A void must be cut-out in the rear of the cabinet shelf.
- Cut-out in the toe kick is required for adequate air flow.
- Optional available bottom Vent Grill (7420465) .

Other Product Downloads Available at aeg-appliances.ca

AEG

WARRANTY INFORMATION

Each appliance is covered by a comprehensive 2-year parts and labour warranty. Refer to product warranty policy for complete terms and conditions.

FOR PARTS & SERVICE

Euro-Parts & Service

39822 Belgrave Road, Belgrave, ON. N0G 1E0 1 866 722 2262

www.euro-parts.ca • parts@euro-parts.ca • service@euro-parts.ca

AEG appliances are imported and distributed in North America by Euro-Line Appliances Inc. For more information, please visit one of our showrooms or www.ela.ca

All aspects of the installation must conform with the requirements of the standard North American wiring rules, as well as your local electrical and building codes and regulations, and any other applicable requirements or conditions of your local power supply authority. A licensed electrician must perform the electrical work when installing this appliance. The supply cable and fuse rating must be suitable for the appliance.*

EURO-LINE APPLIANCES INC.

871 Cranberry Court Oakville,
ON L6L 6J7 Canada
905.829.3980
1-800.421.6332
info@ela.ca

101-1014 Homer Street Vancouver, BC
V6B 2W9 Canada
604.235.3980
1-855.352.9378
infowest@ela.ca