

If you have a Roku TV™ model, setup is easy. Just use the included cable to connect your soundbar to the HDMI ARC port on your TV and follow the on-screen instructions.

(EN) Roku, the Roku logo, Roku TV, Roku TV Ready, and the Roku TV Ready logo are trademarks and/or registered trademarks of Roku, Inc.

(FR) Roku, le logo Roku, Roku TV, Roku TV Ready et le logo Roku TV Ready sont des marques de commerce et/ou des marques déposées de Roku Inc.

(ES) Roku, el logotipo de Roku, Roku TV, Roku TV Ready y el logotipo de Roku TV Ready son marcas comerciales o marcas comerciales registradas de Roku, Inc.

- FOR DTS PATENTS. SEE [HTTP://XPERI.COM/DTS-PATENTS/](http://XPERI.COM/DTS-PATENTS/). MANUFACTURED UNDER LICENSE FROM DTS, INC. AND ITS AFFILIATES. DTS, DTS:X, THE DTS:X LOGO, VIRTUAL:X, AND THE DTS VIRTUAL:X LOGO ARE REGISTERED TRADEMARKS OR TRADEMARKS OF DTS, INC. AND ITS AFFILIATES IN THE UNITED STATES AND/OR OTHER COUNTRIES. © DTS, INC. AND ITS AFFILIATES. ALL RIGHTS RESERVED.
- Dolby, Dolby Atmos, and the double-D symbol are registered trademarks of Dolby Laboratories Licensing Corporation. Manufactured under license from Dolby Laboratories. Confidential unpublished works. Copyright © 2012-2024 Dolby Laboratories. All rights reserved.
- The terms HDMI, HDMI High-Definition Multimedia Interface, HDMI trade dress and the HDMI Logos are trademarks or registered trademarks of HDMI Licensing Administrator, Inc.
- The Bluetooth® word mark and logos are registered trademarks owned by Bluetooth SIG, Inc. and any use of such marks by Hisense is under license. Other trademarks and trade names are those of their respective owners.

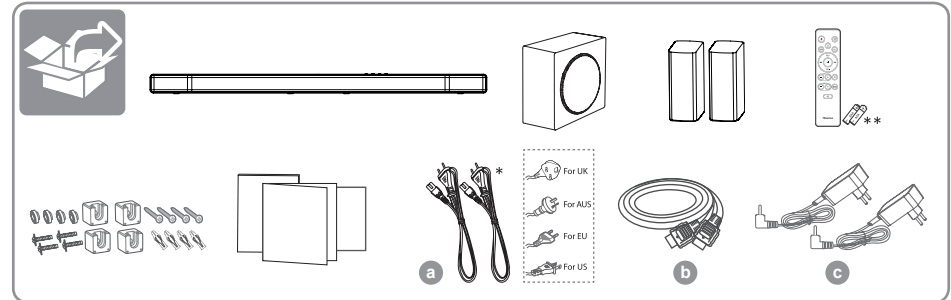


203024820

Hisense-AX5140Q-QSG-7L-V06

AX5140Q QUICK START MANUAL

Hisense



- EN** * Power cord quantity and plug type vary by regions. ** The accessories may be different from the list above due to different models, countries/ regions, please refer to the actual accessory bag.
- FR** * Le nombre de cordons d'alimentation fournis et le type de prise varient selon les régions. ** Les accessoires peuvent être différents de la liste ci-dessus en raison de différents modèles, pays/régions, se rapportent SVP au sac d'accessoire réel.
- ES** * La cantidad de cable de alimentación y el tipo de enchufe varían según la región. ** Los accesorios pueden ser diferentes de la lista anterior debido a diferentes modelos, países/regiones, por favor consulte a la bolsa de accesorios real.
- PT** * A quantidade de cabo de alimentação e o tipo de ficha variam de acordo com a região.
- RU** * Количество шнуров питания и тип вилки зависят от региона.
- KZ** * Қуат сымның саны мен аша түрі аймақтарға байланысты ерекшеленеді.

تختلف كمية سلك الطاقة ونوع القابس حسب المنطقة. AR

