

NSE80H63S

SAMSUNG

Bespoke Smart Slide-In Electric Range 6.3 cu. ft.
with True Convection



Available Colours

 **Stainless Steel**
NSE80H63SR

 **Matte Black Steel**
NSE80H63SE

 **White Glass**
NSE80H63SW

Features

- No-Preheat Air Fry Max (Tray Included)
- True Convection
- Air Sous Vide
- Precision Knobs
- Fingerprint Resistant Finish (Excluding White Glass)
- Self & Steam Clean
- Storage Drawer

Convenience

- Wi-Fi Connectivity
- Voice-Enabled
- Convection Auto Conversion
- Hidden Bake Element
- Child Safety Lock
- Delay Start
- Auto Oven Light
- Timer
- Sabbath Mode

Specifications

Electric Ceramic Cooktop

- Right Front: 9"/12" 3,000W
- Left Front: 6"/9" 3,000W
- Right Rear: 6" 1,200W
- Left Rear: 6" 1,200W
- Center: 6" Warming Zone (100W)

Oven

- Capacity: 6.3 cu. ft.
- Convection Element/Heater
- Convection Bake
- Convection Roast
- Bake
- Variable Broil: Low/High
- Air Fry Max
- Air Sous Vide
- Keep Warm
- Bread Proof

Dimensions

Oven Interior Dimensions (WxHxD)

Dimensions: 24^{13/16}" x 22^{7/16}" x 19^{3/4}"

Product Dimensions with handle (WxHxD)

Dimensions: 29^{15/16}" x 36" – 36^{3/4}" (Adj.) x 28^{3/8}"
Weight: 164.9 lbs

Shipping Dimensions & Weight (WxHxD)

Dimensions: 33^{1/16}" x 41^{1/8}" x 30^{5/16}"
Weight: 183.2 lbs

Warranty

One (1) Year Parts and Labor

UPC

Finish	Model #	UPC Code
Stainless Steel	NSE80H63SR	198957265204
Matte Black Steel	NSE80H63SE	198957265198
White Glass	NSE80H63SW	198957265211

Rating



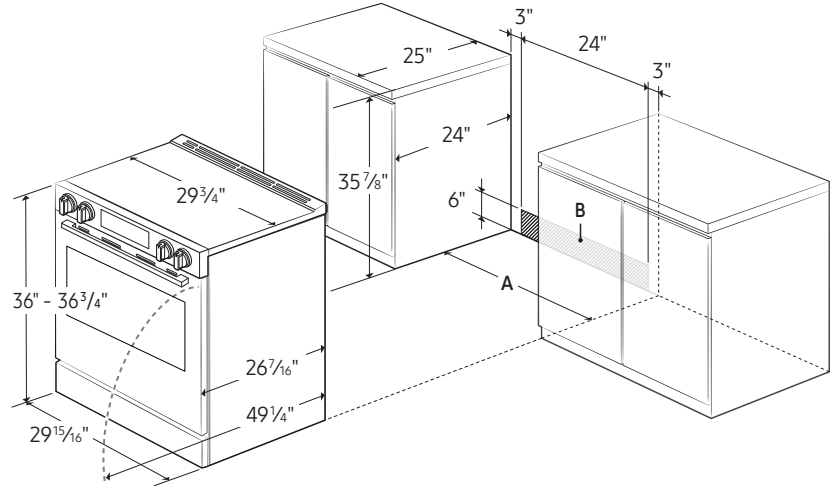
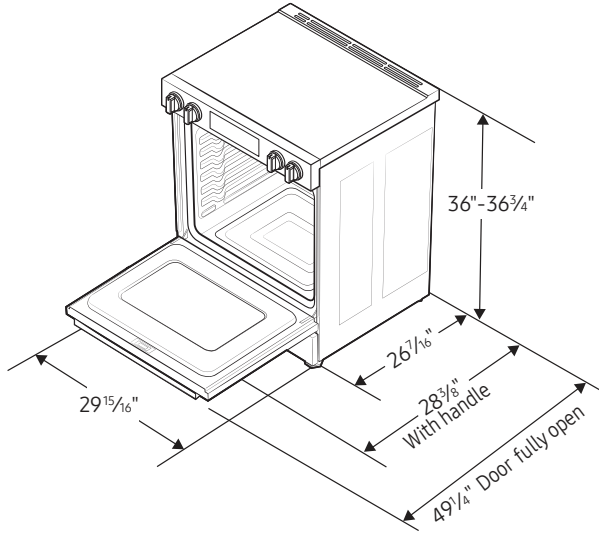
ENERGY STAR® Rated:
195 kWh/yr

NSE80H63S

SAMSUNG

Bespoke Smart Slide-In Electric Range 6.3 cu. ft.
with True Convection

Installation Specifications

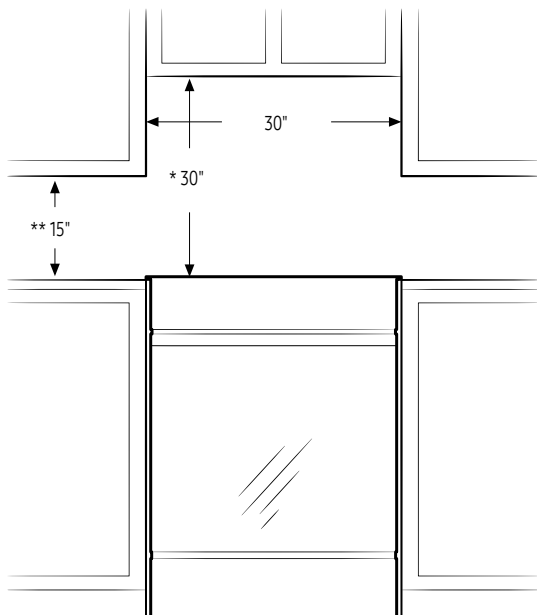


A: Cabinet opening minimum 30"
B: Acceptable electrical outlet area

IMPORTANT: If your cabinets are over 36 3/4" high, you must install this range on a hard, heat-resistant support that raises the surface of the range so that it is about even with the countertop.

Electrical Requirements

240V/208V/60 Hz
40 Amps



* 30" minimum clearance between the top of the cooking surface and the bottom of an unprotected wood or metal cabinet; or 24" minimum when the bottom of the wood or metal cabinet is protected by not less than 1/4" of flame-retardant millboard covered with not less than no. 28 MSG sheet steel, 0.015" stainless steel, 0.024" aluminum, or 0.020" copper.

**15" minimum between the countertop and the adjacent cabinet bottom.

IMPORTANT: Consult with Installation Manual for detailed instructions before installing. All ranges must be installed with the Anti-Tip bracket that is included.

