

# NSG70H60SR

SAMSUNG

Bespoke Smart Slide-In Gas Range 6.0 cu. ft.  
with No-Preheat Air Fry Max



## Available Colour



## Features

- No-Preheat Air Fry Max (Tray Included)
- Precision Knobs
- Convection
- Fingerprint Resistant Finish
- Self Clean
- Storage Drawer

## Convenience

- Wi-Fi Connectivity
- Voice-Enabled
- Convection Auto Conversion
- Hidden Bake Element
- Child Safety Lock
- Delay Start
- Auto Oven Light
- Timer
- Sabbath Mode

## Specifications

### Black Enamel 5-Burner Cooktop

- Right Front: 17K BTU
- Left Front: 16K BTU
- Right Rear: 5K BTU
- Left Rear: 9.5K BTU
- Center (Round): 9.5K BTU

### Oven

- Capacity: 6.0 cu. ft.
- Convection Bake
- Convection Roast
- Bake
- Variable Broil: Low/High
- Air Fry Max
- Keep Warm
- Bread Proof

## Dimensions

### Oven Interior Dimensions (WxHxD)

Dimensions: 24<sup>13/16</sup>" x 21<sup>5/8</sup>" x 19<sup>5/8</sup>"

### Product Dimensions with handle (WxHxD)

Dimensions: 29<sup>15/16</sup>" x 36" – 36<sup>3/4</sup>" (Adj.) x 28<sup>3/8</sup>"

Weight: 174.6 lbs

### Shipping Dimensions & Weight (WxHxD)

Dimensions: 33<sup>1/16</sup>" x 41<sup>1/8</sup>" x 30<sup>5/16</sup>"

Weight: 196.7 lbs

## Warranty

One (1) Year Parts and Labor

## UPC

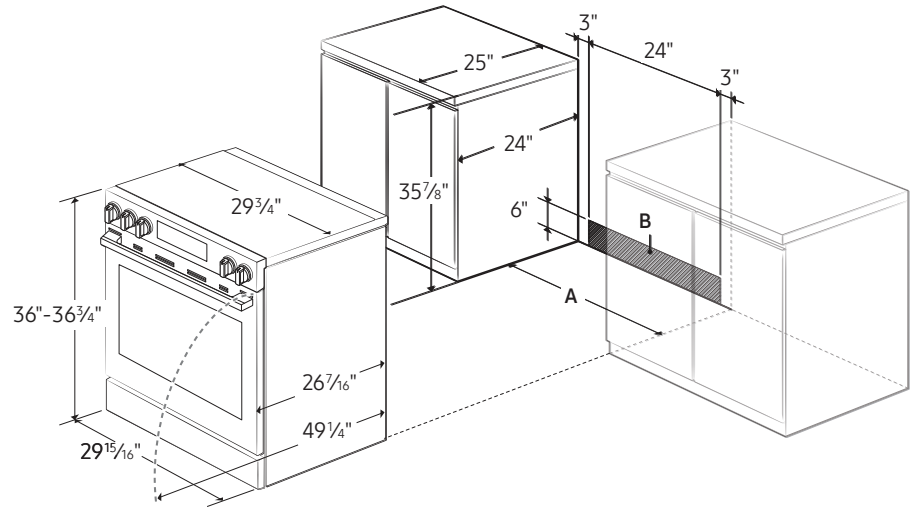
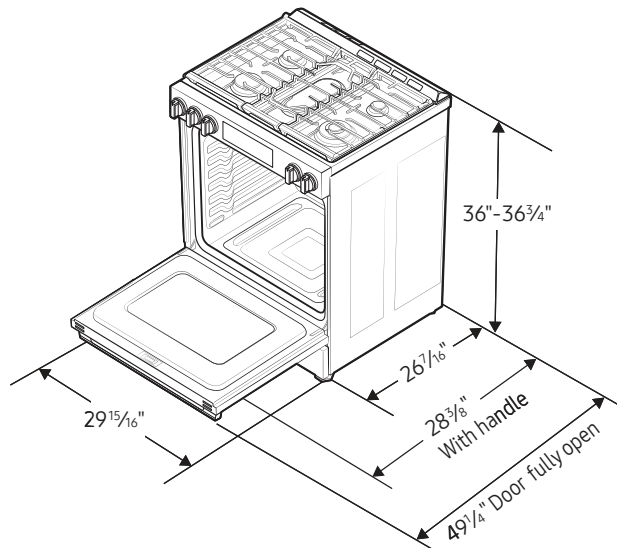
Finish	Model #	UPC Code
Stainless Steel	NSG70H60SR	198957265310

# NSG70H60SR

**SAMSUNG**

Bespoke Smart Slide-In Gas Range 6.0 cu. ft.  
with No-Preheat Air Fry Max

## Installation Specifications



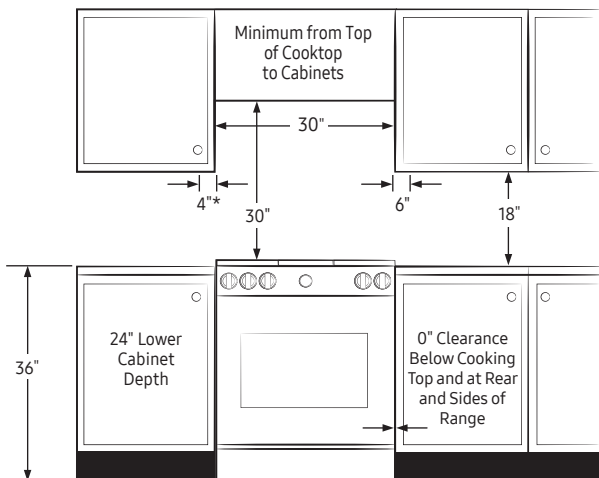
## Electrical Requirements

120V/60 Hz  
20 Amps

A: Cabinet opening minimum 30"  
B: Acceptable electrical outlet area

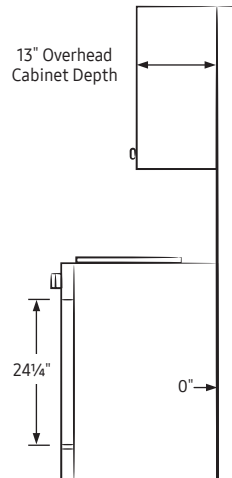
**IMPORTANT:** If your cabinets are over 36 3/4" high, you must install this range on a hard, heat-resistant support that raises the surface of the range so that it is about even with the countertop.

## Installing Your Range



\*Side clearance above cooking surface to any objects, i.e., wall.

**IMPORTANT:** Consult with Installation Manual for detailed instructions before installing.  
All ranges must be installed with the Anti-Tip bracket that is included.



## Recommended Locations for Gas Piping and Electrical Outlets

