

NSG80H60S

SAMSUNG

Bespoke Smart Slide-In Gas Range 6.0 cu. ft.
with True Convection



Available Colours

 **Stainless Steel**
NSG80H60SR

 **Matte Black Steel**
NSG80H60SE

 **White Glass**
NSG80H60SW

Features

- No-Preheat Air Fry Max (Tray Included)
- True Convection
- Air Sous Vide
- Precision Knobs
- Aluminum Griddle
- Fingerprint Resistant Finish (Excluding White Glass)
- Self Clean
- Storage Drawer

Convenience

- Wi-Fi Connectivity
- Voice-Enabled
- Convection Auto Conversion
- Hidden Bake Element
- Child Safety Lock
- Delay Start
- Auto Oven Light
- Timer
- Sabbath Mode

Specifications

Black Enamel 5-Burner Cooktop

- Right Front: 18K BTU Dual Ring
- Left Front: 16K BTU
- Right Rear: 5K BTU
- Left Rear: 9.5K BTU
- Center (Oval): 10K BTU

Oven

- Capacity: 6.0 cu. ft.
- Convection Element/Heater
- Convection Bake
- Convection Roast
- Bake
- Variable Broil: Low/High
- Air Fry Max
- Air Sous Vide
- Keep Warm
- Bread Proof

Dimensions

Oven Interior Dimensions (WxHxD)

Dimensions: 24^{13/16}" x 21^{5/8}" x 19^{5/8}"

Product Dimensions with handle (WxHxD)

Dimensions: 29^{15/16}" x 36" – 36^{3/4}" (Adj.) x 28^{3/8}"

Weight: 188.9 lbs

Shipping Dimensions & Weight (WxHxD)

Dimensions: 33^{1/16}" x 41^{1/8}" x 30^{5/16}"

Weight: 211.0 lbs

Warranty

One (1) Year Parts and Labor

UPC

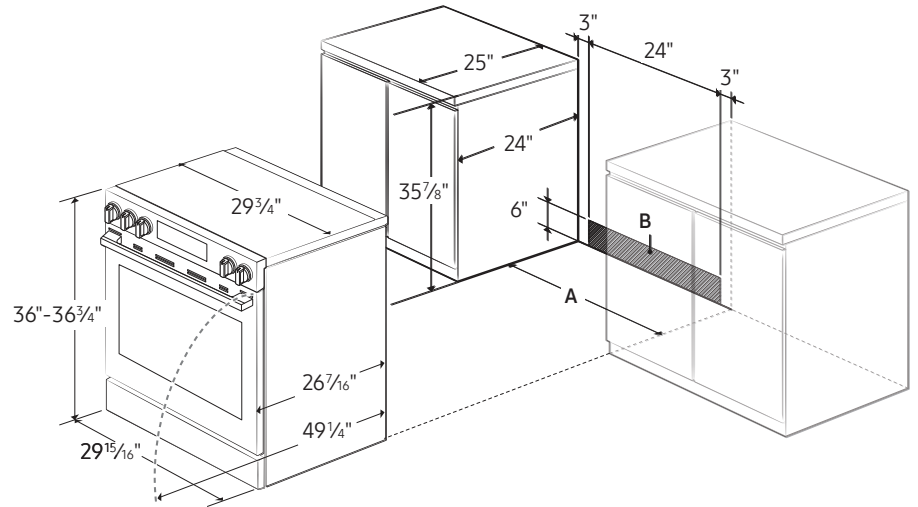
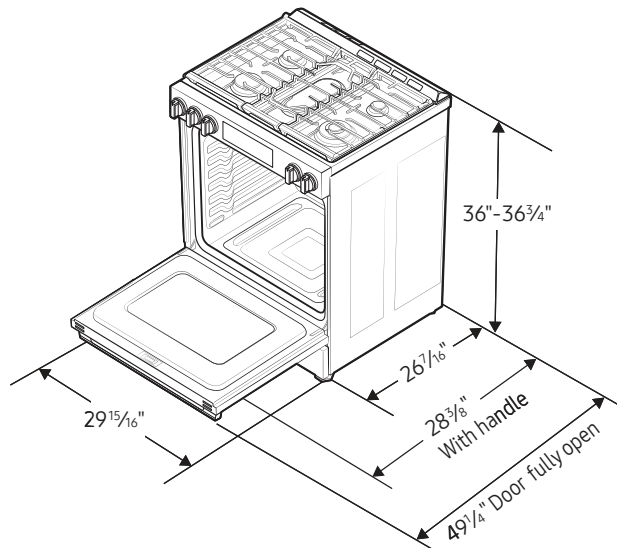
Finish	Model #	UPC Code
Stainless Steel	NSG80H60SR	198957265334
Matte Black Steel	NSG80H60SE	198957265327
White Glass	NSG80H60SW	198957265341

NSG80H60S

SAMSUNG

Bespoke Smart Slide-In Gas Range 6.0 cu. ft.
with True Convection

Installation Specifications



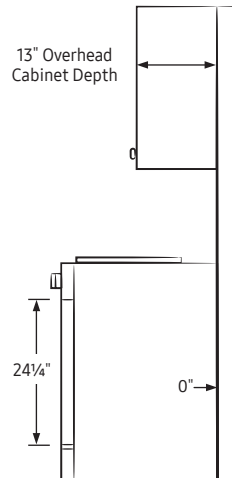
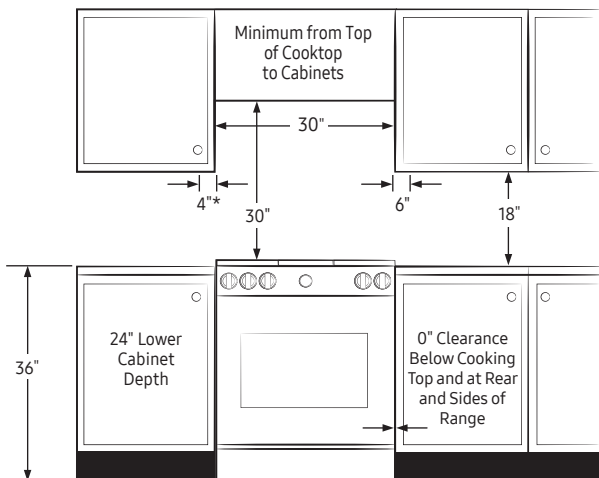
Electrical Requirements

120V/60 Hz
20 Amps

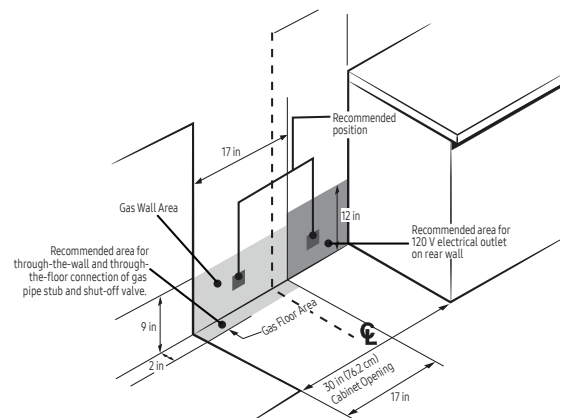
A: Cabinet opening minimum 30"
B: Acceptable electrical outlet area

IMPORTANT: If your cabinets are over 36 3/4" high, you must install this range on a hard, heat-resistant support that raises the surface of the range so that it is about even with the countertop.

Installing Your Range



Recommended Locations for Gas Piping and Electrical Outlets



*Side clearance above cooking surface to any objects, i.e., wall.

IMPORTANT: Consult with Installation Manual for detailed instructions before installing.
All ranges must be installed with the Anti-Tip bracket that is included.

