



# OWNER'S MANUAL

## Dishwasher

**Power supply: 120 V**  
**Frequency: 60 Hz**  
**Capacity: 16 Place Settings**

Read this owner's manual thoroughly before operating the appliance and keep it handy for reference at all times.

**MODEL NUMBER MDT24P3\*\*\*, MDT24P6\*\*\*,  
MDT24P7\*\*\***

# Dear Valued Customer

**THANK YOU** and **CONGRATULATIONS** on your purchase of this high-quality, state-of-the-art, Midea product. Your Midea dishwasher is designed for reliable, trouble-free performance. Please take a moment to register your new dishwasher.

Register your new dishwasher at <https://www.midea.com/us/support> under the **Support** tab.

For future reference, record your product model and serial numbers located on the inside frame of the dishwasher.

Model Number \_\_\_\_\_

Serial Number \_\_\_\_\_

<b>DISHWASHER SAFETY .....</b>	<b>3</b>
<b>PARTS AND FEATURES .....</b>	<b>7</b>
<b>INSTALLATION REQUIREMENTS.....</b>	<b>9</b>
LOCATION REQUIREMENTS.....	11
WATER SUPPLY REQUIREMENTS .....	14
ELECTRICAL REQUIREMENTS.....	15
<b>INSTALLATION INSTRUCTIONS .....</b>	<b>16</b>
<b>START UP GUIDE .....</b>	<b>32</b>
HOW YOUR DISHWASHER CLEANS .....	32
BEFORE USING YOUR DISHWASHER .....	32
USING YOUR NEW DISHWASHER .....	32
<b>OPERATING INSTRUCTIONS .....</b>	<b>33</b>
CONTROL PANEL .....	33
LED INDICATOR LIGHTS .....	39
CYCLE AND OPTION CHARTS.....	40
LOADING SUGGESTIONS .....	43
UPPER RACK .....	44
LOAD UPPER RACK .....	47
LOWER RACK.....	48
<b>RECOMMENDED LOADING PATTERNS.....</b>	<b>53</b>

<b>APP SETUP AND OPERATION .....</b>	<b>55</b>
How to Connect with SmartHome App.....	55
REMOTE START COMMISSIONING AND USAGE.....	58
MY WASH SETUP AND USE.....	59
<b>DISHWASHER USE .....</b>	<b>60</b>
PROPER USE OF DETERGENT.....	60
PROPER USE OF RINSE AID.....	61
WASHING SPECIAL ITEMS .....	63
<b>DISHWASHER CARE .....</b>	<b>65</b>
CLEANING .....	65
STORING .....	67
<b>GENERAL TROUBLESHOOTING.....</b>	<b>68</b>
ERROR CODES .....	73
<b>2 YEAR LIMITED WARRANTY.....</b>	<b>74</b>

## DISHWASHER SAFETY

YOUR SAFETY AND THE SAFETY OF OTHERS ARE VERY IMPORTANT.

To prevent property damage and injury to the user or other people, the instructions shown here must be followed. Incorrect operation due to ignoring of instructions may cause harm or damage, including death.

The level of risk is shown by the following indications.



This symbol indicates the possibility of death or serious injury.



This symbol indicates the possibility of injury or damage to property.



This symbol indicates the possibility of dangerous voltage constituting a risk of electrical shock, which could result in death or serious injury.

## WARNING/GROUNDING INSTRUCTIONS

**Improper connection of the equipment-grounding conductor can result in a risk of electric shock. Check with a qualified electrician or service representative if you are in doubt about whether the appliance is properly grounded. Do not modify the plug provided with the appliance. If the plug will not fit the outlet, have a proper outlet installed by a qualified electrician.**

### ***For a grounded, cord-connected appliance:***

This appliance must be grounded. In the event of a malfunction or breakdown, grounding will reduce the risk of electric shock by providing a path of least resistance for electric current. This appliance is equipped with a cord that has an equipment-grounding conductor and a grounding plug. The plug must be plugged into an appropriate outlet that is installed and grounded in accordance with all local codes and ordinances.

### ***For a permanently connected appliance:***

This appliance must be connected to a grounded metal, permanent wiring system, or an equipment-grounding conductor must be run with the circuit conductors and connected to the equipment-grounding terminal or lead on the appliance.

## WARNING



### **Tip-Over Hazard**

- Do not use dishwasher until completely installed.
- Do not push down on open door.
- Doing so can result in serious injury or cuts.

## WARNING

### **Suffocation Hazard**

- Before you throw away your old appliance, remove the door or lid so that children cannot hide or get trapped inside your old appliance.
- Failure to follow these instructions can result in death or brain damage.

## WARNING




### **Electrical Shock Hazard**

To reduce the risk of electric shock, fire or injury to persons:

- The installer must ensure that the dishwasher is completely enclosed at the time of installation.
- Care shall be exercised when the dishwasher is installed or removed to reduce the likelihood of damage to the power cord.

### **State of California Proposition 65 Warnings:**

 **WARNING:** Cancer and Reproductive Harm  
 -www.P65Warnings.ca.gov.

# IMPORTANT SAFETY INSTRUCTIONS

## WARNING

When using your dishwasher, follow basic precautions, including the following:

- Read all instructions before using the dishwasher.
- Use the dishwasher only for its intended function.
- Use only detergents or rinse/wetting agents recommended for use in a dishwasher and keep them out of the reach of children.
- When loading items to be washed:
  - Locate sharp items so that they are not likely to damage the door seal.
  - Load sharp knives with the handles up to reduce the risk of cut-type injuries.
- Do not wash plastic items unless they are marked "Dishwasher Safe" or the equivalent. For plastic items not so marked, check the manufacturer's recommendations.
- Items that are not dishwasher safe may melt and create a potential fire hazard.
- Do not touch the heating element during or immediately after use.
- Do not operate your dishwasher unless all enclosure panels are properly in place.
- Do not tamper with controls.
- Do not abuse, sit on, or stand on the dishwasher door or dish racks.
- To reduce the risk of injury, do not allow children to play in or on a dishwasher.
- Under certain conditions, hydrogen gas may be produced in a hot-water system that has not been used for two weeks or more. **HYDROGEN GAS IS EXPLOSIVE.** If the hot-water system has not been used for such a period, before using the dishwasher turn on all hot-water faucets and let the water flow from each for several minutes. This will release any accumulated hydrogen gas. As the gas is flammable, do not smoke or use an open flame during this time.
- Severe product damage and/or injury could result from the use of unqualified service technicians or non-original replacement parts. All repairs must be performed by a qualified service technician using only original equipment factory replacement parts.
- Do not store or use combustible materials, gasoline or other flammable vapors and liquids in the vicinity of this or any other appliance.
- Do not use the dishwasher if it has a damaged power line or plug, and do not plug the dishwasher into a damaged outlet. Failure to observe these instructions may result in electrical shock.
- This manual does not cover every possible condition or situation that may occur.
- Remove the door to the washing compartment when removing an old dishwasher from service or discarding it.

# SAVE THESE INSTRUCTIONS

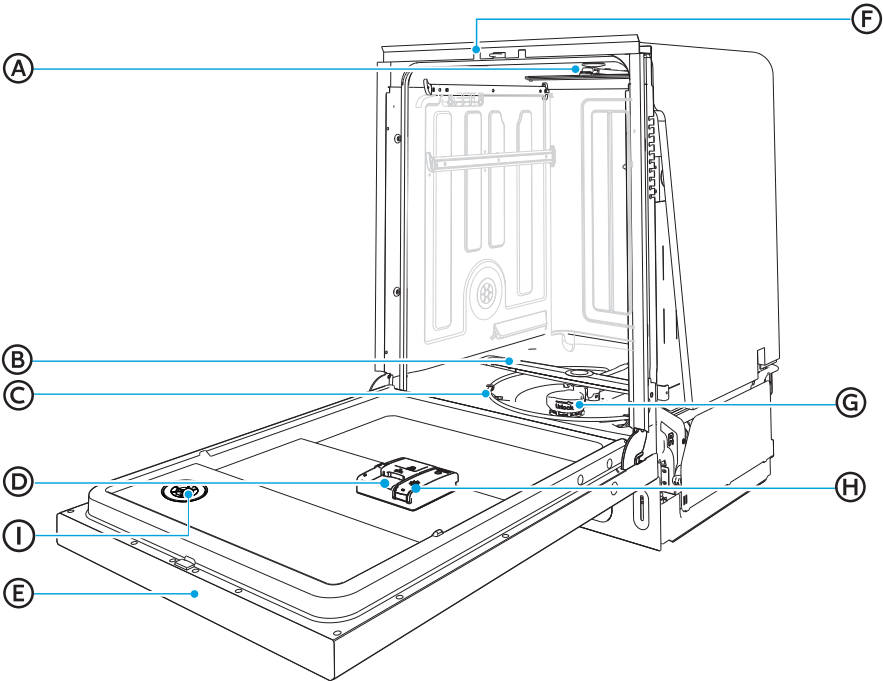
THIS APPLIANCE IS FOR HOUSEHOLD USE ONLY

## CAUTION

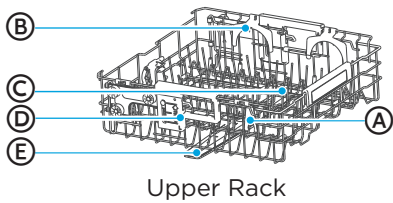
- Never use harsh chemicals to clean your dishwasher. Some chloride-containing products can damage your dishwasher and may present health hazards!
- Never use steam cleaning products to clean your dishwasher. The manufacturer will not be responsible for the possible damages or consequences.
- To avoid possible dishwasher damage, do not use abrasive cleaners, scouring pads (metal or plastic), or abrasive cloths/paper towels on your dishwasher's exterior door panel. Your dishwasher's exterior door panel can be damaged by doing so.
- It is highly recommended that the user become familiar with the procedure to shut off the incoming water supply and the procedure to shut off the incoming power supply. See the Installation Instructions or contact your installer for more information.
- If the dishwasher drains into a food disposer, make sure disposer is completely empty before running your dishwasher.
- NSF/ANSI 184 Certified residential dishwashers are not intended for licensed food establishments.
- Protect your dishwasher from the elements. Protect against freezing to avoid possible damage to the fill valve. Damage caused by freezing is not covered by the warranty.
- Not for outdoor use.

# PARTS AND FEATURES

When your dishwasher has been unpacked, make sure you've received all the parts shown below.



- (A) Upper Spray Arm
- (B) Lower Spray Arm
- (C) Heating Element
- (D) Detergent Dispenser
- (E) Control Panel
- (F) Auto Open Mechanism
- (G) Filter System
- (H) Rinse Aid Dispenser
- (I) Dry Vent (some models only)

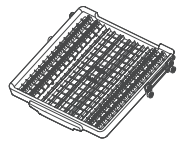


- (A) Wine Glass Holder
- (B) Bottle Wash Holder
- (C) Bottle Wash
- (D) 3-Level Adjustable Mechanism
- (E) Middle Spray Arm

**MDT24P3\*\*\***



Lower Rack



3<sup>rd</sup> Rack



Silverware Basket

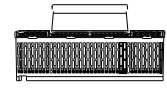
**MDT24P6\*\*\***



Lower Rack



3<sup>rd</sup> Rack



Silverware Basket



STRAWash device

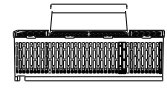
**MDT24P7\*\*\***



Lower Rack



3<sup>rd</sup> Rack



Silverware Basket



STRAWash device

**NOTE:**

The accessory kits also contains the User/Installation Manual, installation kit and kick plate, which are not shown in the above picture.

SPECIFICATIONS	
Capacity:	16 Place Settings
Dimensions	23 7/8" X 24 1/2" X 33 3/4" (606 X 623 X 857 mm)
Weight Unpacked:	MDT24P3*** 84 lb
	MDT24P6*** 88 lb
	MDT24P7*** 91 lb
Power Supply	120V, 60Hz
Water Pressure	20 - 80 psi (138 - 552 kPa)

# INSTALLATION REQUIREMENTS

## TOOLS AND PARTS

Gather the required tools and parts before starting installation.

### PARTS SUPPLIED



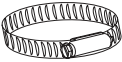
2 Countersunk Screws  
(for Side Mount Installation)



2 Pan-head Screws  
(for Top Mount Installation)



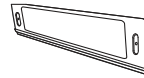
2 Black Pan-Head Screws (For Kick Plate Installation)



Screw-Type Hose Clamp



Top-Mounting Clips



Kick Plate



Protective Steam Shield

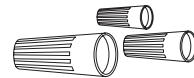
### PARTS NEEDED (NOT PROVIDED)



Cord or Hard Wire Electric Cable  
(Optional)



Strain Relief



UL Listed Wire Nuts  
(3)



$\frac{3}{4}$ " FHT x  $\frac{3}{8}$ " OD Compression Hose Fitting (if not included in hose kit)



Copper Tubing Water Line ( $\frac{3}{8}$ " min.)

**NOTE:** For hot water supply line, we recommend to use a  $\frac{3}{8}$ " O.D. copper tubing or flexible braided water supply line kit including a braided hose and  $\frac{3}{8}$ " compression x  $\frac{3}{4}$ " hose fitting line.

## TOOLS NEEDED



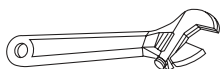
Phillips-head  
Screwdriver



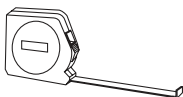
Level



Flashlight



6" Adjustable  
Wrench



Measuring Tape



Safety Glasses



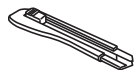
Bucket



Cut Resistant Gloves



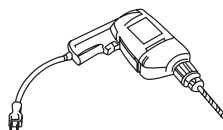
Flat-bladed  
Screwdriver



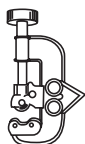
Box Cutter



Forx Wrench Set  
(T20)



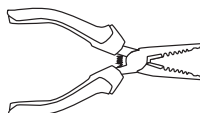
Drill



Tubing Cutter



Hole Saw Set



Wire Stripper

## NEW INSTALLATIONS (ONLY)

### Parts Needed



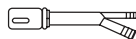
Hand Shut-  
off Valve



or



Waste Tee or  
Garbage Disposal  
(house plumbing,  
if applicable)



and

Air Gap for drain  
hose and clamp  
(if required)



Coupler  
(extending  
drain line, if  
applicable)

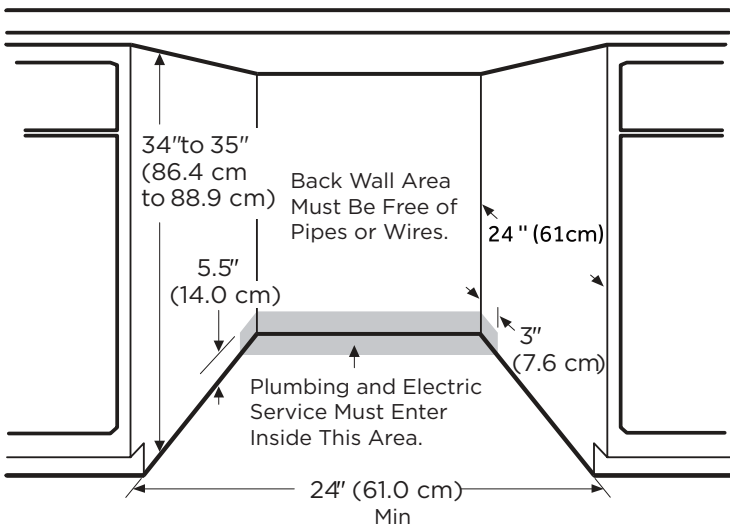
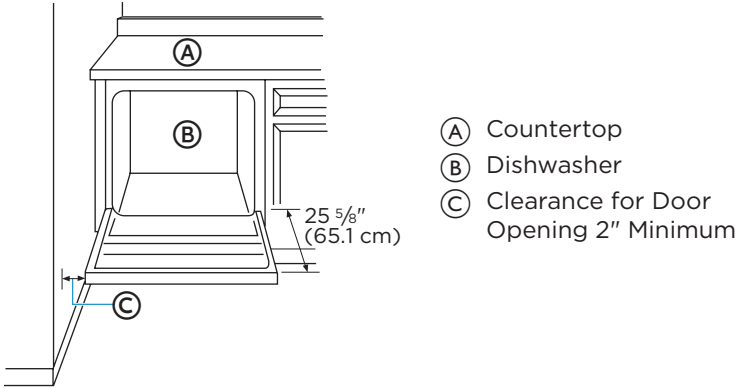
# LOCATION REQUIREMENTS

## IMPORTANT:

- Do not run drain lines, water lines or electrical wiring where they can interfere with or contact dishwasher motors or legs.
- The location where the dishwasher will be installed must provide clearance between motors and flooring. Motors should not touch the floor.
- The opening must have a level floor. (If the floor at front of the opening is not level with the floor at Rear of the opening, you may need shims to level the dishwasher).
- Do not install the dishwasher over carpeted flooring.
- The dishwasher must be fully enclosed on the top, sides and back and must not support any part of the enclosure.
- The dishwasher must be installed so that the drain hose is no more than 10 ft in length for proper drainage.

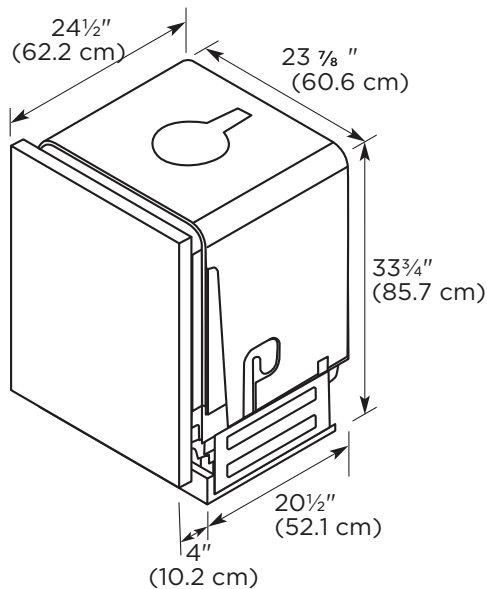
## OPENING DIMENSIONS

- The rough cabinet opening must be at least 24" (61 cm) wide and a maximum of 35" (88.9 cm) in height, and provide easy access to water, electricity and a drain.
- When installed in a corner location, a 2" (5.1 cm) minimum clearance is required between the side of the dishwasher and the adjacent wall, cabinet or other appliance.
- There must be a minimum clearance of 25<sup>5</sup>/<sub>8</sub>" (65.1 cm) in front of the dishwasher to allow the door to fully open.



- \* Make sure the water line, wires and drain hose are within the shaded area.
- \* Check all surfaces, especially the back wall, to ensure there are no protrusions that would prohibit dishwasher installation.

## PRODUCT DIMENSIONS



## DRAIN REQUIREMENTS

Follow local codes and ordinances.

## DRAIN HOSE

Your new dishwasher includes a pre-attached drain hose. If the supplied hose is not long enough, use a new drain hose with a maximum length of 10 ft (3.05 m) that meets all current AHAM/IAPMO test standards.

### The drain hose should:

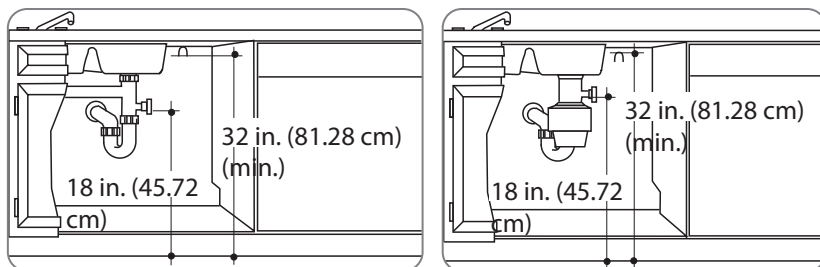
- Be resistant to heat and detergent
- Have an inside diameter (I.D.) of  $\frac{5}{8}$ " (1.58 cm) or  $\frac{7}{8}$ " (2.2 cm)
- Include a coupler to connect the two hose ends (secure the connection with two clamps)

Do NOT connect drain hoses from other appliances to the dishwasher drain hose.

## DRAIN CONNECTION HEIGHT

The drain connection method depends on the height of the drain hose connection.

**IMPORTANT:** Failure to connect the drain hose at a height of 18" with air gap (not provided) OR to create a drain loop with a minimum height of 32" (81.3 cm) will result in improper draining of the dishwasher.



## WATER SUPPLY REQUIREMENTS

- Water pressure from the hot water supply line must be between 20-80 psi (138-552 kPa).
- Water heater that is adjusted to a water temperature of 120°F to 150°F (49°C to 65.5°C).
- A 90° elbow is required to be attached to the water valve prior to the connection of the water line.
- A  $\frac{3}{8}$ " min. diameter copper tubing water line extending at least 24" (61 cm) from the rear wall, and routed to connect to the front left-hand side of the dishwasher.
- A hand shut-off valve in an accessible location, such as under the sink (recommended).

# ELECTRICAL REQUIREMENTS

## WARNING



### Electrical Shock Hazard

- Installation and service must be performed by a qualified installer or service agency.
- Always disconnect the power before servicing this unit.
- This appliance must be properly grounded.
- Failure to do so could result in death, fire, or electrical shock.

### IMPORTANT:

- The dishwasher must have an 120 Volt, 60Hz. Electrical supply, and must be connected to a dedicated, properly grounded branch circuit, protected by a 15 or 20 ampere circuit breaker or time delay fuse.
- A maximum of two field wiring supply conductors (12 AWG Maximum) plus one grounding conductor are permitted in the terminal box.
- Use only copper wire.
- Wiring must be 2-wire with ground.
- Use a UL Listed/CSA approved metallic strain relief.
- Be sure that the electrical connection and wire size are adequate and in conformance with the latest edition of National Electrical Code, ANSI/NFPA No.70 and all local codes and ordinances.
- If the electrical supply does not meet the above requirements, call a licensed, qualified electrician before proceeding.

### Grounding Instructions:

- The dishwasher must be connected to a grounded metal, permanent Wiring system, or the dishwasher's equipment grounding terminal or lead must be connected to an equipment grounding conductor that was run with the circuit conductors.

### Power Cord Connections:

- Use a power cord with connections that comply with the National Electrical Code, Section 422 and/or local codes and ordinances.
- The recommended cord length is 54" min. and 64" max.
- A power cord kit #BK500 is available for purchase from an authorized parts dealer.

### Direct Wire Connections:

- Use flexible, armored or nonmetallic sheathed, copper wire with grounding wire that meets the wiring requirements for your local codes and ordinances.

# INSTALLATION INSTRUCTIONS

Follow these instructions to install the dishwasher.

## STEP 1 DISCONNECT POWER AND SHUT OFF WATER SUPPLY

Disconnect electrical power at the fuse box or circuit breaker box before installing the dishwasher. Turn off the water valve switch used to connect the water supplier hose.

### WARNING



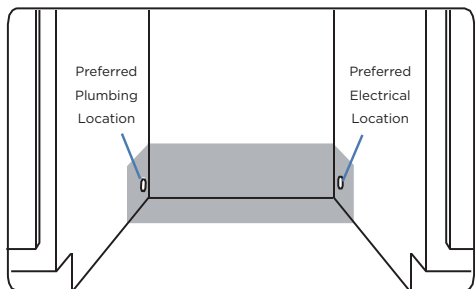
#### **Electrical Shock Hazard**

Disconnect electrical power at the fuse box or circuit breaker box before installing the dishwasher. Failure to do so can result in death or electrical shock.

## STEP 2 DRILL HOLE LOCATIONS-FOR NEW CONSTRUCTION

Drill holes for the passage of the drain hose, inlet hose, and power cord. Refer to the “LOCATION REQUIREMENTS” (Page 11) section for the correct hole placement and dimensions in the shaded area.

- Drill a 1½" (3.8 cm) drain hose hole in the side of cabinet, depending on drain hose connection location.
- Drill a 1½" (1.27 cm) water supply hose hole in the side cabinet, depending on location of water supply connection location.
- Drill a 1½" (3.8 cm) electrical hole Depending on power cord connection location.



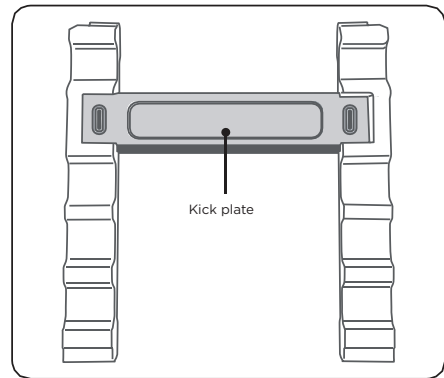
#### **NOTES:**

- The hole should be smooth with no sharp edges.
- One hole of 1½" can be used for all connections if the install location allows.

## STEP 3 DISHWASHER UNPACKING AND INSPECTION

Unpack the dishwasher in a clear, open area. Keep all packing materials until the dishwasher is fully installed and operational to ensure all components are removed before disposal.

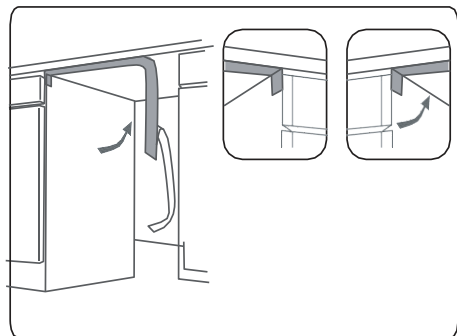
**NOTE:** The Kick Plate is stored in-between the dishwasher packing foam. Make sure to remove and set aside for later use. **DO NOT THROW AWAY.**



## STEP 4 ATTACH PROTECTIVE STEAM SHIELD

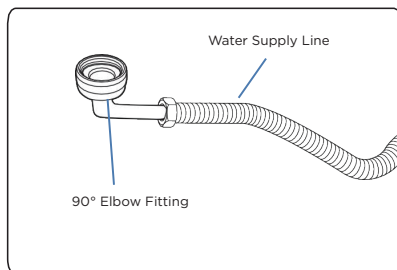
To protect your countertops, apply the protective shield to the underside of the countertop as shown in the picture.

1. Locate the supplied protective steam shield in the accessory bag.
2. Ensure the area beneath the cabinet is clean and dry before installing the protective steam shield.
3. Peel off the backing and apply the protective steam shield to the underside of the countertop along the front edge.



## STEP 5 ATTACH 90° ELBOW FITTING TO WATER SUPPLY LINE

**NOTE:** Please use a 3/4" NPT interface for the 90° Elbow Fitting.

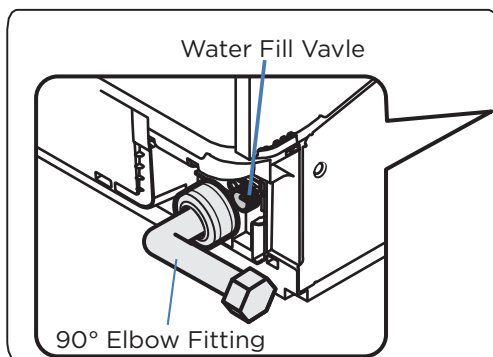


## STEP 6 INSTALL 90° ELBOW FITTING TO WATER FILL VALVE

1. Thread the 90° elbow fitting onto the water fill valve on the back of the dishwasher. Ensure the rubber gasket is located between the valve and the elbow.

**NOTE:** Do not overtighten the elbow.

2. Position the end of the elbow to the water supply side of cabinet.



## STEP 7 POSITION POWER SUPPLY WIRE

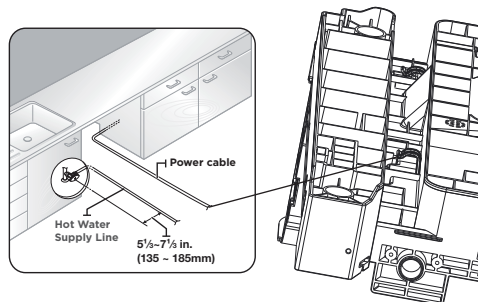
Connect to the Power Supply using one of two Methods: Power Cord (Method 1) or Direct Wire Cable (Method 2). Follow the instructions specific to your installation.

### Method 1 - Power Cord

1. Pass the power cord through the grooves under the dishwasher base and sit it into the clips.
2. Attach the power cord to the junction box. Refer to **STEP 16**.

### NOTE:

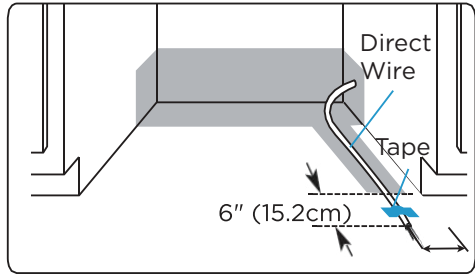
For easier connection when using this method, we recommend attaching the power cord to the dishwasher at this time.



## Method 2 - Direct Wire Cable

Route the cable from the power supply through the hole (cable must extend to the front, right-hand side of the opening). Extend cable to 6" (15.2 cm) in front of the unit and tape the cable to the floor to keep it from moving when dishwasher is moved into the cabinet opening.

**NOTE:** DO NOT connect the wire to the product yet. The connection will be made after the unit is installed in the cabinet opening if this method is used.

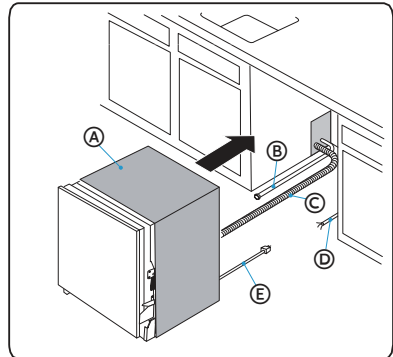


3-1/4" (8.3cm)

## STEP 8 ROUTE THROUGH CABINET

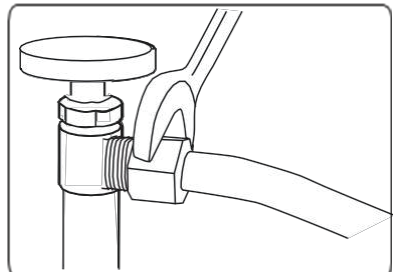
Move the dishwasher close to the cabinet opening. Route the drain, water, and if applicable, power lines through the holes in the cabinet, and pull the slack out at the same time as the dishwasher is pushed into the cabinet.

- (A) Insulation Blanket
- (B) Water Line
- (C) Drain Hose (Maximum Length 10 ft [3.0m])
- (D) House Wiring
- (E) Power Cord (If Used)



## STEP 9 CONNECT TO HOUSE SHUT-OFF VALVE

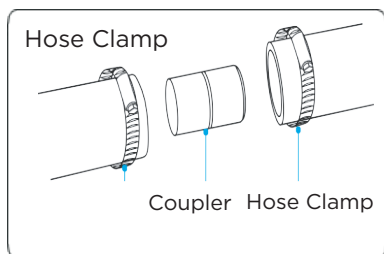
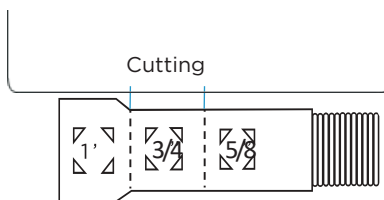
1. Connect the water supply line (copper or flexible braided) to the hot water line, following local codes and regulations. Ensure there's a manual shut-off valve under the sink for the dishwasher.
2. Once connected, turn on the water valve and check for leaks.



## STEP 10 CONNECT TO HOUSE DRAIN SYSTEM

**IMPORTANT:** Follow all local codes and ordinances.

1. The drain hose's molded end will fit  $\frac{5}{8}$ ",  $\frac{3}{4}$ " or 1" diameter connections on the air gap, waste tee, cut on the marked line as required for your installation. or garbage disposal.
2. If a longer drain hose is required, you can add up to 42" (1.1 m) of length, for a total of 10 ft. (3.01 m) to the factory-installed hose. Use  $\frac{5}{8}$ " or  $\frac{7}{8}$ " inside diameter hose and a coupler (not supplied) to connect the two hose ends. Secure the connection with screw-type hose clamps.
3. Connect the drain hose to the waste tee or garbage disposal using one of the following methods.



- **Option 1** – Garbage Disposal - With Air Gap
- **Option 2** – Air Gap Only
- **Option 3** – Garbage Disposal Only\*
- **Option 4** – No Garbage Disposal or Air Gap \*

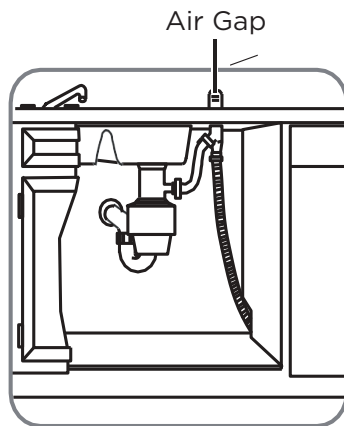
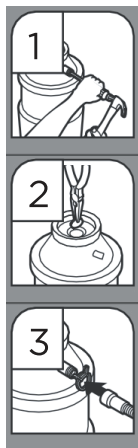
\* An Air Gap option is recommended

### **IMPORTANT:**

- Total drain hose length must not exceed 10 ft (3.05 m) for proper drain operation.
- To minimize the noise, keep the drain away from the floor and from touching hard surfaces.
- If connecting the drain line to a garbage disposal, make sure that the drain plug has been removed from the garbage disposal. Your dishwasher will not drain if the plug is left in place.

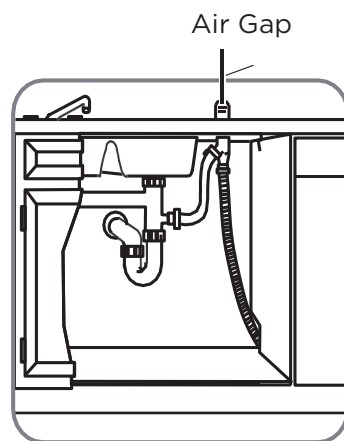
### OPTION 1 - Garbage Disposal - With Air Gap

1. Using a hammer and screwdriver, knock the plug into the disposer.
2. Use needle-nose pliers to remove the plug.
3. Attach the rubber end of the drain hose securely to the air gap with a the Screw-Type Hose Clamp (provided).



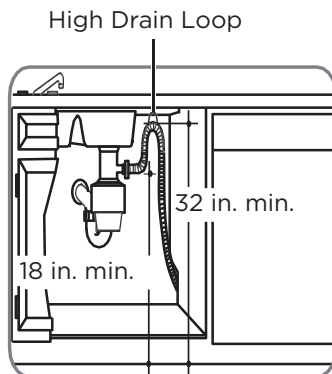
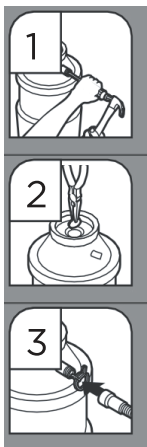
### OPTION 2 - Air Gap Only

1. Attach the rubber end of the drain hose to the air gap.
2. Use the Screw-type Hose Clamp (provided) to secure the drain hose to the air gap.
3. Use a rubber hose (not provided) with screw-type clamps (not provided) to connect the air gap to the waste tee.



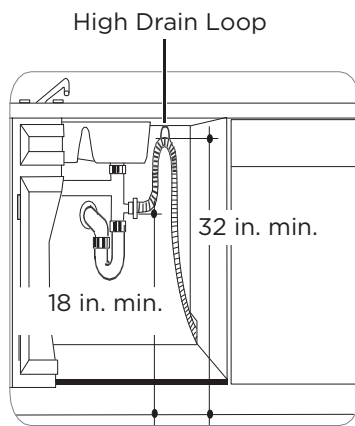
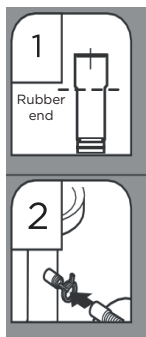
### OPTION 3 - Garbage Disposal Only

1. Using a hammer and screwdriver, knock the plug into the disposer.
2. Use needle-nose pliers to remove the plug.
3. Attach the drain hose to the disposer inlet with the Screw-Type Hose Clamp(provided). Use pliers to squeeze the clamp open and move into position.
4. Secure the drain hose to the underside of the countertop to create a high loop. This helps prevent backflow.



### OPTION 4 - No Garbage Disposal or Air Gap

1. Attach the rubber end of the drain hose to the waste tee.
2. Attach the drain hose to the disposer inlet with the Screw-Type Hose Clamp(provided). Use pliers to squeeze the clamp open and move into position.
3. Secure the drain hose to the underside of the countertop to create a high loop. This helps prevent backflow.



## STEP 11 SLIDE DISHWASHER PARTIALLY INTO OPENING

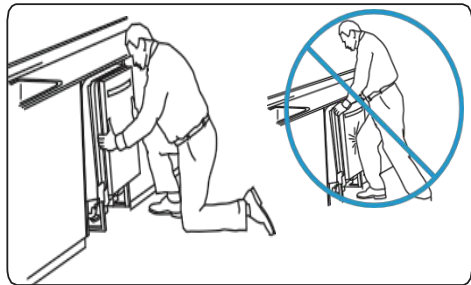
### ! CAUTION

- Before moving the dishwasher for installation, shorten the legs to their minimum height to prevent breakage. Level the dishwasher by adjusting the legs after positioning it.

Slowly move the dishwasher into the opening a few inches at a time. Stop pushing when the dishwasher is a few inches in front of the adjacent cabinetry.

### NOTE:

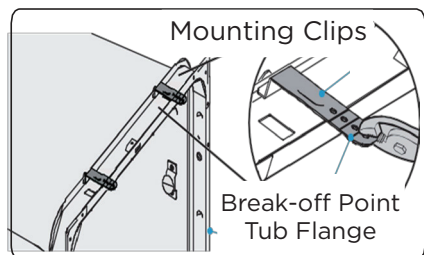
- Do not push against the front panel with knees - damage to the outer door could occur.
- Make sure the drain hose is not kinked under the dishwasher and there is no interference with the water line, wiring or any other component.



## STEP 12 INSERT TOP MOUNTING CLIPS

**IMPORTANT:** The dishwasher must be secured with mounting brackets to the countertop or adjacent cabinets to keep it from tipping when the door is opened.

- For countertops that are wood, laminate or another similar surface, use the Top Mount attachment method.
- For countertops that are marble, granite, or another hard surface, use the Side Mount attachment method.



Insert the top mounting clips into the front top slots of the dishwasher.

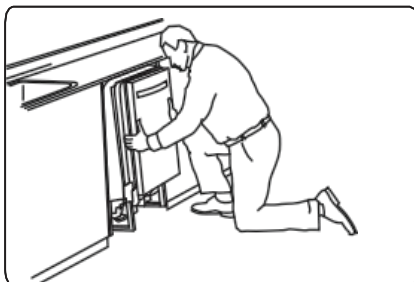
**NOTE:** The top mounting clips have a break off point so a section of the clip can be removed, if necessary, to fit the depth of the cabinet.

## STEP 13 PUSH DISHWASHER INTO FINAL POSITION

Slowly push the dishwasher completely into the opening so that the front corners of the dishwasher door are flush with the cabinet doors.

### NOTE:

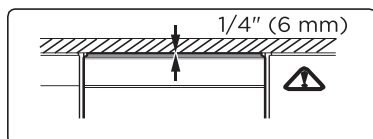
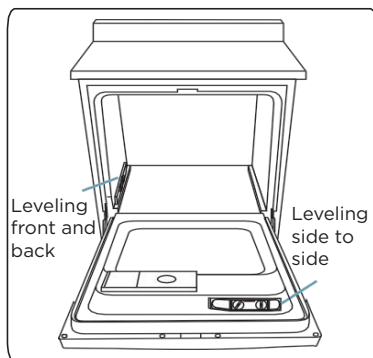
- It is all right if the dishwasher fits tightly into the cabinet opening. Do not remove the insulation blanket - the blanket reduces the sound level.
- Do not push against the front panel with your knees, as that can dent the dishwasher.
- Open and close the door to be sure it operates smoothly and does not rub on the adjacent cabinet.



## STEP 14 LEVEL DISHWASHER

**IMPORTANT:** The dishwasher must be level for proper dish rack operation and wash performance.

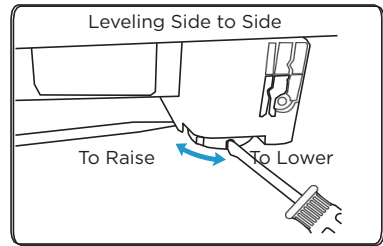
1. Open the door, place the level on the door or at the top of the inner tub, and check if the dishwasher is level. If not, rotate the front leveling legs until level. Refer to the next page for instructions on leveling side to side.
2. Place the level on the rack track inside the tub to check if the dishwasher is level front to back. If not, rotate the rear leveling leg until level. Refer the next page for instructions on leveling front to back.
3. Make sure the top of door is no less than less than 1/4"(6mm) from the underside of the countertop.



## Leveling Side to Side

To adjust the front legs, use a flat blade screwdriver.

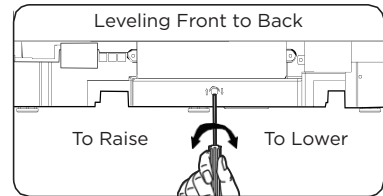
- To Lower - Turn the leveling leg counterclockwise.
- To Raise - Turn the leveling leg clockwise.



## Leveling Front to Back

The rear leveling leg is located at the center of the front of the dishwasher. To adjust the rear leg, use a T20 Torx screwdriver.

- To Lower - Turn the T20 Torx screwdriver clockwise.
- To Raise - Turn the T20 Torx screwdriver counterclockwise.



## ! CAUTION

- If installed unevenly or with a missing leg, the door may not fully close, potentially causing steam or water leaks.
- When adjusting the height, ensure the top gasket fits snugly beneath the kitchen cabinet to avoid increased noise during operation.

## STEP 15 SECURE DISHWASHER

To secure the dishwasher using the Top Mount(Method 1) or Side Mount(Method 2) method follow the instructions for the method specific to your installation.

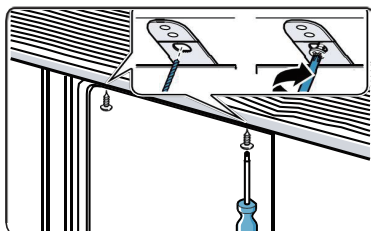
**NOTE:** Center the dishwasher in the opening before securing the dishwasher.

### Method 1: Top Mount

Using two Phillips pan-head screws(provided), fasten the two mounting clips installed in STEP 12 to the underside of the countertop.

**NOTE:**

- Open the door about 3" (7.6 cm) and check that the space between the inner door and tub is equal on both sides.
- Check that the top of the door does not contact the screw or mounting clips.



### **!** WARNING

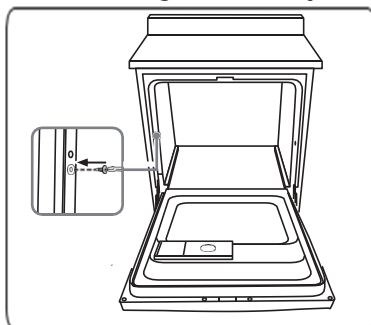


#### Electrical Shock Hazard

Using the wrong screws could result in damage to cabinets and/or countertops.

### Method 2: Side Mount

1. Drive one Phillips pan-head screw(provided) through the hole in the side of the dishwasher into the cabinet frame, making sure to only loosely secure the unit.
2. Drive the second pan screw on the opposite side, again only loosely securing the unit.
3. Slowly tighten the screws by alternating sides to keep the unit centered until secure.

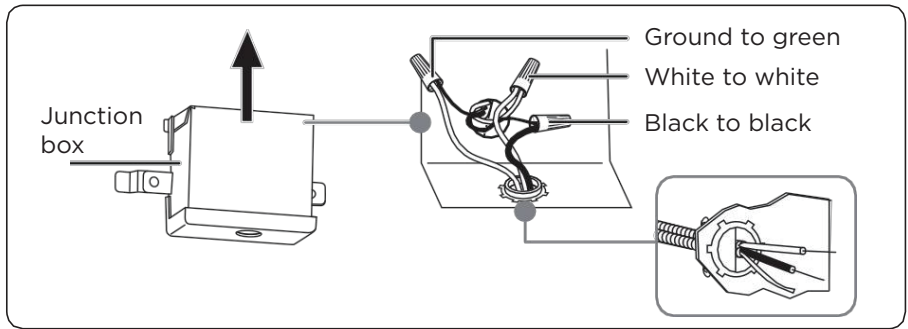


### **!** CAUTION

- Take care in making sure dishwasher is correctly aligned, and cabinets are sufficient for a screw to be driven without damage to the cabinet.

## STEP 16 CONNECT TO POWER SUPPLY

### CONNECT POWER CORD



#### WARNING



#### Electrical Shock Hazard

- Plug into a grounded 3 prong outlet.
- Do not remove the ground prong from the power cord plug.
- Do not use an adapter.
- Do not use an extension cord.
- Failure to do so can result in death, fire or electrical shock.

**IMPORTANT:** The power cord and connections must comply with the National Electrical Code, Section 422 and/or local codes and ordinances. Recommended cord length is 54" min. and 64" max.

1. Confirm that power is turned off at the breaker box.
2. Remove the terminal box cover. Retain for later use.
3. Install a UL listed/CSA approved strain relief.
4. Route the power cord in the channel on the right-hand side of the dishwasher base. Make sure that the dishwasher is not resting on and/or pinching the wire.
5. Pull the power cord through the strain relief in the junction box.
6. Connect the wires using UL listed wire nuts of the appropriate size to connect the power cord to the 16-gauge dishwasher wire.
7. Tighten the strain relief screws to secure the power cord.
8. Gently guide the wire nuts into the junction box, and then replace the junction box cover, making sure to not pinch the wires.
9. Replace the junction box screw.

## CONNECT DIRECT WIRE

### WARNING



#### Electrical Shock Hazard

- Electrically ground the dishwasher.
- Connect the ground wire to the green ground connector in terminal box.
- Do not use an extension cord.
- Failure to follow these instructions can result in death, fire, or electrical shock.

1. Confirm that power is turned off at the source.
2. Remove the junction box cover. Retain for later use
3. Install a UL listed/CSA approved strain relief.
4. Route the direct wire cable in the channel on the right-hand side of the dishwasher base. Make sure that the dishwasher is not resting on and/ or pinching the wire.
5. Pull the direct wire through the strain relief in the junction box.
6. Connect the wires using UL listed wire nuts of the appropriate size to connect the power cord to 16-gauge dishwasher wire.
7. Tighten the strain relief screws to secure the power cord.
8. Gently guide the wire nuts into the junction box, and then replace the junction box cover, making sure to not pinch the wires.

## STEP 17 PRE-TEST CHECKLIST

1. Check that the power is OFF.
2. Check door opening and closing. If the door does not open and close freely or tends to fall, check spring adjustments.
3. Check that wiring is secure under the dishwasher, not pinched or in contact with door springs or other components. See “Position the Water Line and House Wiring” on page 18.
4. Check door alignment with tub. If the door hits the tub, level the dishwasher. See “Level Dishwasher” on page 25.
5. Pull out the lower rack, about halfway. Check that the rack does not roll back into the dishwasher or forward onto the door. If the rack moves, adjust the leveling legs. See “Level Dishwasher” on page 25.
6. Check door alignment with cabinet(s). If the door hits a cabinet, reposition or level the dishwasher. See “Level Dishwasher” on page 25.
7. Verify that the water supply and drain lines are not kinked or in contact with other components.
8. Turn on the sink hot water faucet and verify water temperature. Incoming water temperature must be between 120°F and 150°F (49°C and 65°C). A minimum of 120°F (49°C) water temperature is required for best wash performance.
9. Add 2 quarts (1.9 L) of water to the bottom of the dishwasher to lubricate the pump seal.
10. Turn on water supply. Check for leaks. Tighten connections if needed.
11. Remove protective film, if present, from the control panel and door.

## STEP 18 CHECK DISHWASHER FUNCTIONS

### WARNING

#### Electrical Shock Hazard

- Electrically ground the dishwasher.
- Connect the ground wire to green ground connector in terminal box.



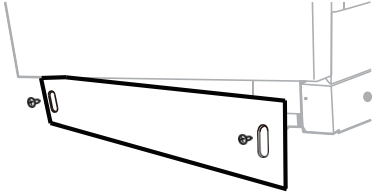
#### If connecting with a power cord:

- Plug into a grounded 3-prong outlet.
- Do not use an adapter.
- Do not remove the ground prong from the power cord plug.
- Do not use an extension cord.
- Failure to follow these instructions can result in death, fire, or electrical shock.

1. Connect to power supply.
2. On the Control Panel, press the Quick cycle, then press START.
3. Firmly close the dishwasher door within 4 seconds of pressing START.
4. After the first 2 minutes, open the door. Check to see that there is water in the bottom of the dishwasher tub. If water has not entered the dishwasher, check that the water supply and power supply are turned on.
5. Check for leaks under the dishwasher. If a leak is found, turn the power and water supply off, then tighten connections. Restore power after the leak is corrected.
6. Check for leaks around the door. A leak around the door could be caused by the door rubbing or hitting against adjacent cabinetry. Reposition the dishwasher, if necessary.
7. When the dishwasher is draining, check the drain lines. If leaks are found, turn power off at the breaker and correct plumbing as necessary. Restore power after corrections are made.
8. Open the dishwasher door and make sure most of the water has drained. If not, check that the disposal plug has been removed and/or the air gap is not clogged. Check the drain line for kinks as well.
9. Run the dishwasher through another fill and drain cycle. Check for leaks and correct if needed.

# STEP 19 REPLACE KICK PLATE

Place the kick plate against the legs of the dishwasher. The slots in the kick plate should align with the screw holes in the bracket. Allow the bottom edge of the kick plate to touch the floor. Using the two black pan-head screws(provided), fasten the kickplate to the dishwasher.



Safety Precautions
Parts and Features
Installation Requirements
<b>Installation Instructions</b>
Start Up Guide
Operating Instructions
App Setup And Operation
Dishwasher Use
Dishwasher Care
General Troubleshooting

# START UP GUIDE

## IMPORTANT:

- Properly dispose of/recycle all packing material.
- Read this entire User Manual. You will find important safety information and useful operating tips.

## HOW YOUR DISHWASHER CLEANS

Your dishwasher cleans by spraying a mixture of hot water and detergent through the spray arms against soiled surfaces.

The dishwasher fills with water covering the filter area. Water is then pumped through the multiple filters and spray arms. Soil particles are separated from the water and go down the drain as the water is pumped out and replaced with clean water.

The number of water fills will vary depending on the cycle selected.

## BEFORE USING YOUR DISHWASHER

1. Check the filters for debris that may have been introduced from the packaging or during installation. See the “Cleaning & Care” section on page 66.
2. Add Rinse Aid. See the “Proper Use of Rinse Aid” section on page 61.

## USING YOUR NEW DISHWASHER

**NOTE:** To decrease cycle time and possibly improve performance, turn on the hot water faucet nearest to the dishwasher until the water runs hot. Turn off the water.

1. Load dishwasher. See the “Loading Suggestions” section on page 43.
2. Add detergent. See “Proper Use of Detergent” on page 60.
3. Select desired CYCLE and OPTIONS. See “Cycle and Option Charts” on page 33.
  - Some options are not available for Certain cycles. Only the Options available for the Cycle selected will illuminate.
4. Press START.

**IMPORTANT:** For the dishwasher to begin operating, the door must be closed within 4 seconds after pressing Start/Cancel.

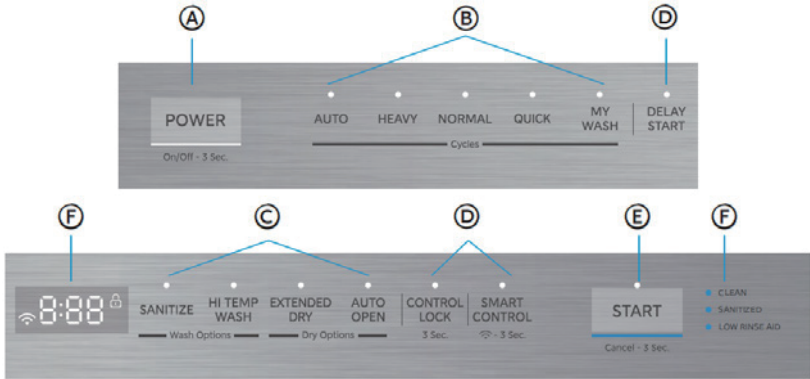
5. Close the door firmly to latch it.

# OPERATING INSTRUCTIONS

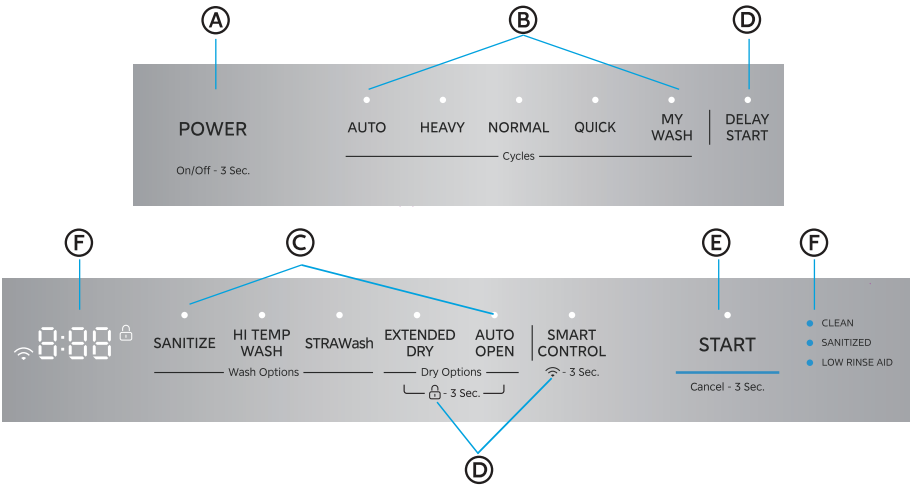
## CONTROL PANEL

Features and appearance will vary throughout this manual.

MDT24P3\*\*\*

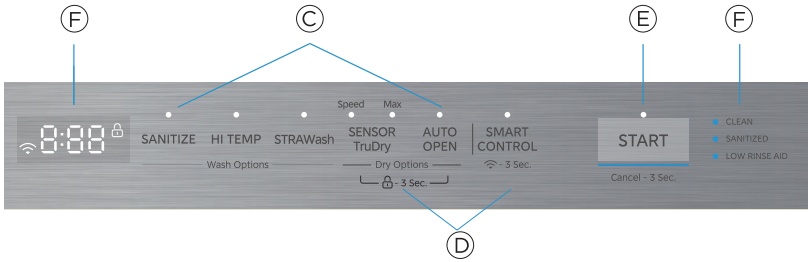
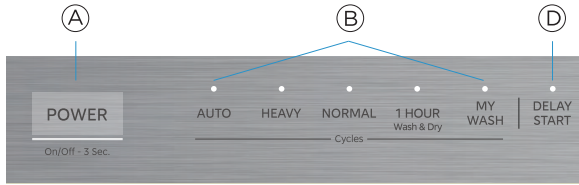


MDT24P6\*\*\*



- Safety Precautions
- Parts and Features
- Installation Requirements
- Installation Instructions
- Start Up Guide
- Operating Instructions
- App Setup And Operation
- Dishwasher Use
- Dishwasher Care
- General Troubleshooting

# MDT24P7\*\*\*



**NOTE:** When operating directly on the machine, the dishwasher controls can only be accessed and operated with the dishwasher door open.

- Safety Precautions
- Parts and Features
- Installation Requirements
- Installation Instructions
- Start Up Guide
- Operating Instructions
- App Setup And Operation
- Dishwasher Use
- Dishwasher Care
- General Troubleshooting

## A POWER

Press and hold POWER button to turn on/off the dishwasher.

## B CYCLES

- Press the control panel for the desired wash cycle. The control panel will illuminate to indicate the selected cycle.

### AUTO

Auto Cycle uses sensors in the dishwasher to determine the soil level of the dish load, and then adjusts the wash cycle to optimize wash performance, water and energy usage.

### HEAVY

Heavy Cycle is for pots, pans, casseroles and dinnerware with dried-on or base-on soil.

### NORMAL

Normal Cycle with only the Auto Open option selected is recommended to completely wash and dry a full load of normally soiled dishes. The energy usage label is based on this cycle and option combination.

### QUICK

Quick Cycle is for lightly soiled or well-rinsed dish loads.

### MY WASH

My Wash allows you to create a custom cycle on the SmartHome App that can be saved and loaded on to your dishwasher so that your favorite specialized cycle can be right at your fingertips. The default MY WASH cycle is the NORMAL cycle with AUTO OPEN and EXTENDED DRY options selected or NORMAL cycle with AUTO OPEN and MAX DRY options selected.

To change My Wash, open the app. Once connected, click on the More button next to Cycles on the dishwasher status page. Click on My Wash and select Settings. You can now edit My Wash to set the cycle, options, and times you prefer.

Click Upload when complete, and the cycle will be saved in the app and uploaded to the My Wash button on your dishwasher.

For more information, please refer to “My Wash Function” in the APP SETUP AND OPERATION section on page 59.

### 1 HOUR Wash & Dry (some models only)

1 HOUR Wash & Dry Cycle is a quick washing cycle that includes both a washing and heated fan drying stage, making it perfect for lightly soiled dish loads. Auto Open is on by default and can only be turned off by pressing the Auto Open button for 10 seconds.

## © OPTIONS

Options enhance the wash cycle. Some Options are available with only certain Wash Cycles. Refer to the “Cycle and Options Charts” section on page 40. to see which Options are available for the wash cycle you selected.

- Press to select an Option. The selected Option(s) will illuminate to indicate which Option(s) have been selected.

### SANITIZE

**WARNING:** Only sanitizing cycles have been designed to meet the requirements for soil removal and sanitization efficacy. There is no intention, either directly or indirectly, that all cycles on a certified machine have passed the sanitization performance test.

The Sanitize option sanitizes dishes and glassware in accordance with NSF International NSF/ANSI Standard 184 for Residential Dishwashers. Certified residential dishwashers are not intended for use in licensed food establishments.

When the Sanitize option is selected, the water temperature will reach 158°F (70°C) maximum.

The Sanitize indicator light illuminates to indicate when the wash cycle with the Sanitize option is completed. The light will turn off 60 seconds after the door is manually opened or when any button is pressed.

**NOTE:** If the temperature of the incoming hot water does not meet the minimum requirement of 120°F, it is possible that the water will not reach 158°F in Sanitize mode.

### HI TEMP WASH

Increases the main wash temperature to enhance cleaning performance for loads with tough, baked-on food.

### AUTO OPEN

When the Auto Open option is selected, the door of your dishwasher will open at the end of the wash or wash/dry cycle to allow the hot, humid air to escape from the unit and accelerate the drying of dishes without use of additional energy.

### EXTENDED DRY (some models only)

When the Extended Dry option is selected, the heating time will be extended to improve drying performance during the drying process.

**NOTE:** For optimal drying performance, select both EXTENDED DRY and AUTO OPEN. For even better results, use with rinse aid. The Extended Dry option is not recommended for daily use.

### STRAWash (on some models)

When the STRAWash option is selected, dedicated straw washing jets will be turned on during the cycle. This option dedicates additional time and wash action to the STRAWash feature, allowing for enhanced cleaning of straws.

## SENSOR TruDry (on some models)

When the SENSOR TruDry option is selected, a drying fan and heater will turn on at the end of the wash cycle to improve drying performance. This option includes two modes: Speed (30 min) and Max (60 min). This option dedicates additional drying and heating time to allow for enhanced drying of dishes.

## ④ ADDITIONAL FEATURES

### SMART CONTROL

Using this feature, you can monitor and control the dishwasher remotely through a wireless connection.

For more information, refer to the “APP SETUP AND OPERATION” section on page 55.

### 📶 CONNECTING TO NETWORK

To connect the appliance to the network, press and hold the SMART CONTROL button for more than 3 seconds. After a brief beep, the “📶” icon on the display will begin blinking slowly, indicating the unit is connecting to the app. Once the network connection is successful, the “📶” icon will remain lit.

If setting up for the first time, this icon will keep blinking for 10 minutes. If you want to turn off “📶” icon on the display, press and hold the SMART CONTROL button for more than 10 seconds while the unit is powered off.

For more details, refer to the “How to Connect with the SmartHome App” section on page 55.

### DELAY START

The Delay Start feature allows you to delay starting a selected wash cycle for up to 12 hours later. Press the DELAY START button until the desired delay time is shown on the display. After setting the delay time, press the start button and close the door with 4 seconds to start the cycle.

1. Open the door and press the Delay Start button to set the time. Each press increases the delay by 1 hour, cycling from “H:01 → H:02 → H:12 → H:00 → H:1” repeatedly. Hold the button to rapidly cycle through.
2. When the delay is set to “H:00,” if no buttons are pressed for 3 seconds, the total time of the selected program will display. The Delay Start indicator will turn off.

### CONTROL LOCK

The Control Lock feature locks all controls to avoid unintentionally changing the dishwasher cycle or starting the dishwasher. The LED next to Control Lock and the LOCK icon in the screen will illuminate to indicate the control panel is locked.

- To lock or unlock the control panel, depending on the model, press and hold the CONTROL LOCK button, or press and hold both the EXTENDED DRY and AUTO OPEN buttons for 3 seconds, or press and hold both the SENSOR TruDry and AUTO OPEN buttons for 3 seconds.

## TURNING OFF SOUNDS

- Press and hold AUTO and NORMAL button for 3 seconds to either deactivate or activate the control tones and the end of cycle tone.

## E START

**START** - Press START once and close the door. The cycle will begin.

**NOTE:** You must close the door within 4 seconds of pressing START.

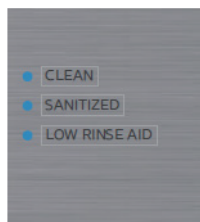
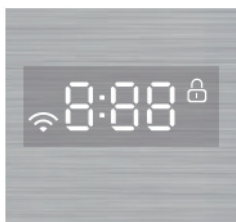
**PAUSE** - If you need to pause or cancel a dishwasher cycle in process:

1. Open the door slightly and wait a few seconds until the wash action stops.
2. Open the door fully to add or remove items.
3. Press START, and then close the door within 4 seconds.
4. The wash cycle will automatically resume.

**IMPORTANT:** Open the door slightly, and then wait for the spray arms and wash action to stop before opening the door completely. Doing this will help keep you from being splashed with hot water.

**CANCEL** - To cancel a cycle while the dishwasher is running, open the door slowly. Press and hold the START button for 3 seconds, then close the door. The drain pump will run for 60 seconds, and a 60- second countdown will be displayed on the screen.

## F INDICATORS




The display shows remaining time, delay time, error codes, and other important information. The screen will also show relevant details. For example, at the end of the cycle, it will display "END", or during Auto Open it will display "Ao dry".

## 📶 Connect

The icon "📶" indicates the status of the network connection:

- Quick Flash-Connecting to the router.
- Slow Flash-Connecting to the server.
- Light on- Successfully connected to the network.
- Light off- Wireless module is powered off.

## Control Lock

The Control Lock indicator “” illuminates to indicate the Control Panel is locked. To lock or unlock the control panel, depending on the model, press and hold the CONTROL LOCK button, or press and hold both the EXTENDED DRY and AUTO OPEN buttons for 3 seconds, or press and hold both the SENSOR TruDry and AUTO OPEN buttons for 3 seconds.

## Clean

The CLEAN indicator illuminates when the cycle is completed. The light will remain on until the door is manually closed or a button is pressed while the door is open.

## Sanitized

At the end of full cycle, the Sanitized indicator light illuminates when the cycle using the Sanitize option and the rinsing temperature reaches 158° F (70°C). The light will remain on until the door is manually closed or a button is pressed while the door is open.

## Low Rinse Aid

The Low Rinse Aid indicator light turns on when the rinse aid level is low. Rinse aid should be added to the rinse aid dispenser. To add rinse aid, see “Proper Use of Rinse Aid” on page 61.

## LED INDICATOR LIGHTS

(applicable to MDT24P3\*\*\*/MDT24P6\*\*\*)



The LED light on the front of the door indicates the progress of the current cycle or alerts you to any malfunctions. It has two colors: blue and white. The indicator light status means:

- OFF: The dishwasher is either turned off or in standby mode.
- White Light (Solid): The dishwasher is running.
- White Light (Blinking): The cycle is paused.
- Blue Light (Solid): The cycle is complete. The light will remain on until the door is manually closed or a button is pressed while the door is open.
- Blue Light (Blinking): There is a malfunction critical to the dishwasher’s function and safe operation. The control panel will shut down, and an error code will be displayed. Please refer to “Error Codes” in the Troubleshooting section on page 68.

## FRONT-FACING LED DISPLAY SCREEN (model: MDT24P7\*\*\*)




The LED on the front of the door indicates the remaining time, delay time, error codes, and other important information. It is synchronized with the time displayed on the LED screen of the control panel. The screen will also show relevant details. For example, at the end of the cycle, it will display both "End" and "CLEAN", and during Auto Open it will display "Ao dry".

The front display may be turned off by holding the SANITIZE button for 10 seconds.

## CYCLE AND OPTION CHARTS

The Cycle and Option Charts below show the available options for each cycle. Cycle times are approximate and may vary based on the selected wash cycle and options.

### MDT24P3\*\*\*


CYCLE		AUTO	NORMAL	HEAVY	QUICK	RINSE 
Water Usage [gal]		2.91-5.68	2.67-5.57	5.57	4.04	2.09
Cycle Time (Mins)		84-114	91-130	119	60	17
AVAILABLE OPTIONS	SANITIZE	√	√	√	Not Available	Not Available
	HI TEMP WASH	√	√	√	Not Available	Not Available
	EXTENDED DRY	√	√	√	√	Not Available
	AUTO OPEN	√	√	√	√	Not Available

**MDT24P6\*\*\***


CYCLE		AUTO	NORMAL	HEAVY	QUICK	RINSE (☐)
Water Usage [gal]		2.91-5.68	2.67-5.57	5.57	4.04	2.09
Cycle Time (Mins)		107-144	113-160	149	77	17
AVAILABLE OPTIONS	SANITIZE	√	√	√	Not Available	Not Available
	HI TEMP WASH	√	√	√	Not Available	Not Available
	STRAWash	√	√	√	√	Not Available
	EXTENDED DRY	√	√	√	√	Not Available
	AUTO OPEN	√	√	√	√	Not Available

- Safety Precautions
- Parts and Features
- Installation Requirements
- Installation Instructions
- Start Up Guide
- Operating Instructions
- App Setup And Operation
- Dishwasher Use
- Dishwasher Care
- General Troubleshooting

## MDT24P7\*\*\*

CYCLE		AUTO	NORMAL	HEAVY	1 HOUR Wash&Dry	RINSE 
Water Usage [gal]		2.91-5.68	2.67-5.57	5.57	4.33	2.09
Cycle Time (Mins)		105-142	112-158	147	60	17
AVAILABLE OPTIONS	SANITIZE	√	√	√	Not Available	Not Available
	HI TEMP WASH	√	√	√	Not Available	Not Available
	STRAWash	√	√	√	√	Not Available
	SENSOR TruDry - Speed	√	√	√	√	Not Available
	SENSOR TruDry - Max	√	√	√	√	Not Available
	AUTO OPEN	√	√	√	√	Not Available

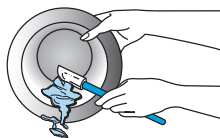
### NOTE:

- RINSE  can only be selected using My Wash. To set up a My Wash cycle, use the SmartHome App.
- A "√" means that the option can be selected for the corresponding cycle.
- Adding Options will add more time and use more water.
- Hot water is necessary to activate the dishwasher detergent and dissolve fatty food residue. A automatic sensor checks the temperature of the incoming water. If the water is not hot enough, the cycle will be lengthened to heat the water for the main wash.
- The NORMAL and AUTO cycles will automatically detect the soil level. The Smart Wash Sensor detects the soil level of the dishes and adjusts the cycle time based on soil level if additional time and/or water fills are needed.
- Each Cycle Time shown in the above table is the default time with the **AUTO OPEN** option.

## LOADING SUGGESTIONS

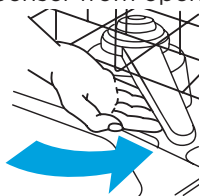
### PREPARE DISHES

- Empty liquids from glasses and cups.
- Remove leftover food, bones, toothpicks and other hard items from the dishes and discard.
- It is not necessary to hand-rinse dishes before loading them into the dishwasher, with the following exceptions:
  - Foods such as mayonnaise, mustard, vinegar, lemon juice and tomato-based products may discolor stainless steel and plastics if allowed to remain on them for any length of time.
  - Burnt-on foods should be loosened before loading the cookware into the dishwasher.



### LOAD DISHES

- It is **IMPORTANT** for the water spray to reach all soiled surfaces.
- If possible, load dishes so they are not stacked or overlapping. For best drying results, water must be able to drain from all surfaces.
- Load heavy pots and pans carefully. Heavy items can dent the stainless steel interior of the door if they are dropped or bumped.
- Make sure pot lids and handles, pizza pans, cookie sheets, or other tall items do not interfere with the spray arm rotation.
- Make sure both the upper and lower spray arms are not blocked and move freely.
- Do not load tall items in the front of the lower rack, as that may block the detergent dispenser from opening.



### QUIET OPERATING TIPS

#### To avoid thumping/clattering noises during operation:

- Make sure lightweight items are secured in the racks.
- Make sure pot lids and handles, pizza pans, cookie sheets, etc., do not touch interior walls or interfere with the rotation of the spray arm.
- Load dishes so they do not touch one another.

**NOTE:** For built-in models, keep sink drain plugs closed during dishwasher operation to prevent noise transfer through drains.

# UPPER RACK

The upper dishwasher rack is designed for cups, glasses, small plates, bowls and plastic items marked dishwasher safe.

The upper rack can be easily adjusted up or down approximately 2" to accommodate taller items in either the top or bottom rack. The rack has three (3) adjustable positions for flexibility.

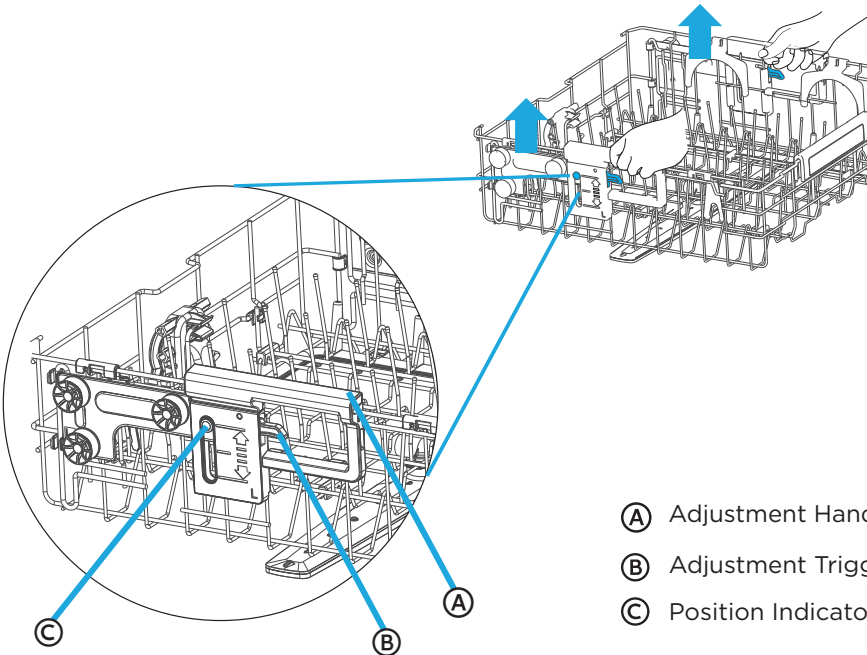
## ADJUST UPPER RACK

### IMPORTANT:

- Remove all items before adjusting the rack. The rack must be empty.
- Do NOT engage the Adjustment Trigger when raising the upper rack. Engaging the Adjustment Trigger will prevent the upper rack from engaging properly, and damage to dishware could result if the upper rack releases.

### To Raise the Upper Rack:

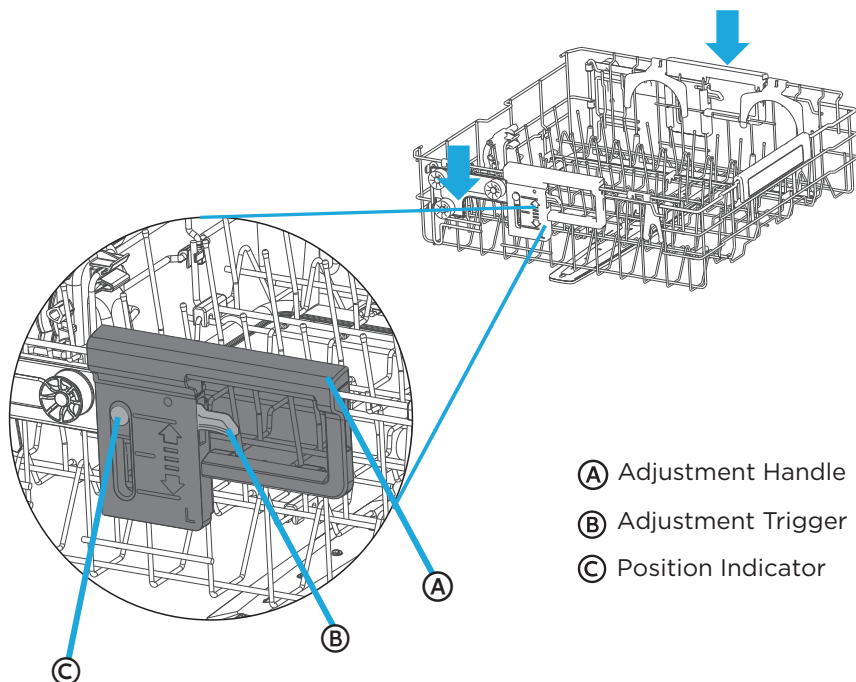
1. Grasp the gray Adjustment Handle on each side of the upper rack, then lift up until you hear a click on both sides. The rack has 3 adjustable positions for added flexibility.



- (A) Adjustment Handle
- (B) Adjustment Trigger
- (C) Position Indicator

### To Lower the Upper Rack:

1. Pull the blue Adjustment Trigger located on each side of the upper rack.
2. Lower the upper rack until the rack is level in the desired position.

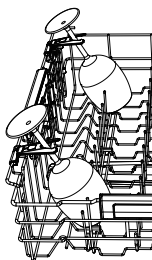


### WINE GLASS HOLDER

The upper rack includes two Wine Glass Holders on the left side to securely accommodate wine glasses.

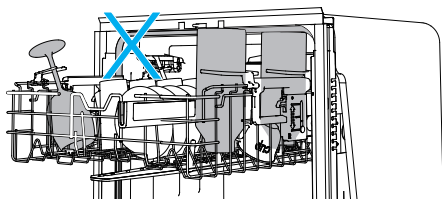
#### To Engage Wine Glass Holder:

1. Adjust the upper rack to the lowest position.
2. Rotate the Wine Glass Holder to the upper position.
3. Place the wine glass onto the holder. For larger wine glasses, you may need to lower the flip tines and place the glass at an angle.



## IMPORTANT:

Do NOT recommend loading wine glasses when the rack is adjusted to the upper position, as that may interfere with the 3<sup>rd</sup> rack. Please lower the wine glass holder when the rack is in the upper position.

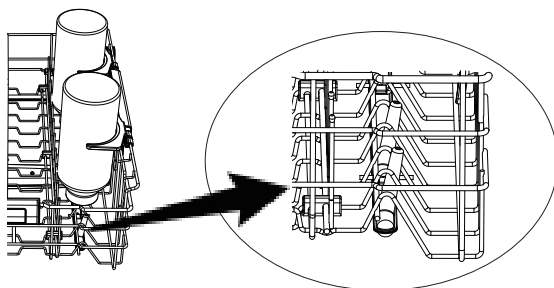


## BOTTLE WASH

The upper rack includes a bottle wash feature and bottle holders on the right side to securely hold bottles. It supports washing up to 4 long bottles at the same time.

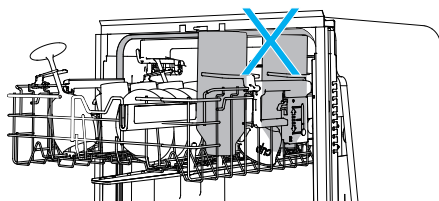
### To Engage Bottle Wash

1. Adjust the upper rack to the lowest position.
2. Lift the bottle/tumbler holder.
3. Position the bottle so that the spray jet will spray into the bottle. To secure slender bottles, place them onto the holder to keep them in place.



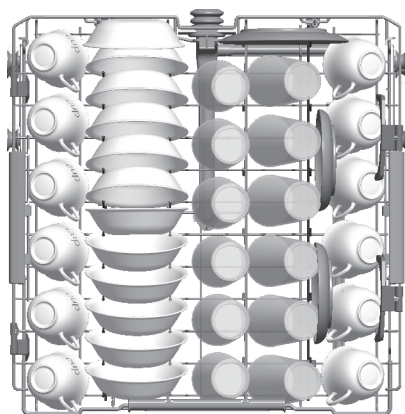
## IMPORTANT:

Make sure the bottles loaded in the upper rack do not interfere with the 3<sup>rd</sup> rack. It is not recommended to load bottles when the rack is adjusted to the upper position. Please lower the bottle holders when the rack is in the upper position. If equipped: Third rack tray can slide over for additional clearance for tall items



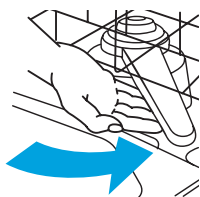
## LOAD UPPER RACK

**NOTE:** The features on your dishwasher rack may vary from the drawings shown.



12 Place Settings

**IMPORTANT:** Make sure the items loaded in the upper rack do not interfere with the rotation of the middle spray arm, which is located beneath the upper rack. Check for interference by turning the spray arm by hand.



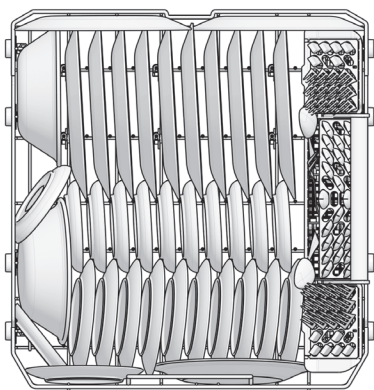
- Place items so that the open ends face downward for cleaning and draining.
- Place cups and glasses in the rows between tines. Placing them over the tines can lead to breakage, water spots, and poor cleaning.
- Small bowls, pans and other utensils can be placed in the top rack. Load bowls in the center section for better stability.
- China, crystal and other delicate items must not touch each other during dishwasher operation. Damage may occur.
- Load plastic items so the force of the spray does not move them during the cycle.

## LOWER RACK

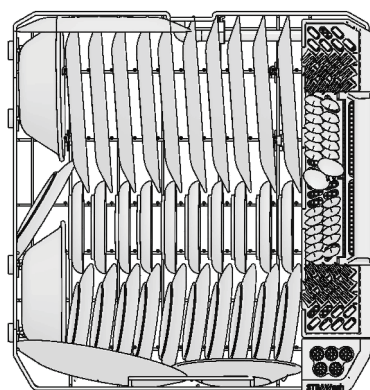
The lower rack is designed for plates, soup bowls, cookware and bakeware.

The adjustable upper rack allows you to load items up to 13" in height onto the lower rack.

**IMPORTANT:** Items in the lower rack must be placed so that they do not interfere with the rotation of the spray arms, block the water inlet, or keep the water spray from reaching the detergent dispenser.



12 Place Settings (MDT24P3\*\*\*)



12 Place Settings (MDT24P6\*\*\*/  
MDT24P7\*\*\*)

## LOAD LOWER RACK

**NOTE:** The features on your dishwasher rack may vary from the drawings shown.

- Load small items in the lower rack only if they are secured in place.
- Load plates, soup bowls, etc. between tines. Do not nest bowls, because the spray will not reach all surfaces.
- Do not load items between the bottom rack and the side of the dishwasher tub.
- Place heavily soiled cookware face down in the rack.
- Load cookie sheets, cake pans, and other large items along the sides and back of the lower rack.

## STRAWash (some models only)

The lower rack includes a STRAWash feature and STRAWash device on the right side. The STRAWash device can wash up to 5 straws at the same time.

### Using STRAWash

- To wash straws, gently press the end of each straw into the rubber slots in the STRAWash feature. Press the straws firmly in until they are fully seated to the bottom of the feature. For optimal performance, turn on the STRAWash button on the control.

**NOTE:** Do not force straws into the feature, as trying to fit too large of a straw or straws with sharp edges could cause damage to the dishwasher.

The max straw size that the STRAWash feature can accommodate is 0.400". Avoid trying to fit too-long straws into the feature and check whether the straw interferes with the spray arm.

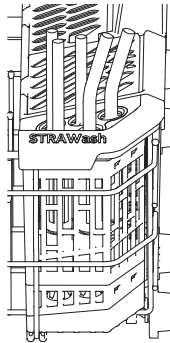
Do not attempt to remove the STRAWash feature. It is not removable.

When the upper rack is in the lower position:

- Max tumbler height: 10"
- Max straw length for STRAWash feature: 10"

When the upper rack is in upper position :

- Max tumbler height: 8"
- Max straw length for STRAWash feature : 11.9"



## ADJUSTABLE RACK TINES

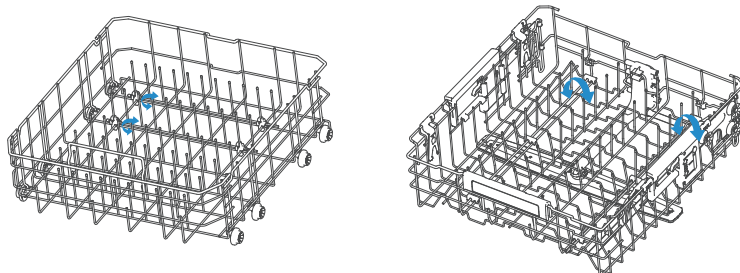
The fold-down tines in the lower rack and upper rack make it easier to load extra large or hard-to-fit items such as serving bowls and roasting pans. The tines may be left in the up position for normal use, or folded down for more flexible loading.

**To Lay Tines Down:** Grasp the tip of the tine, gently pull the tine out of the tine holder and rotate the tine to the side.

- Upper Rack - Push the tines to the center of the rack.
- Lower Rack - Push the tines to the front of the rack.

**To Stand Tines Upright:** Grasp and pull the tine until it is vertical and/or you feel it click into place. Verify the tines are secure before loading.

- Upper Rack - Pull the tines toward the side of the rack.
- Lower Rack - Pull the tines toward the back of the rack.



## LOADING SILVERWARE

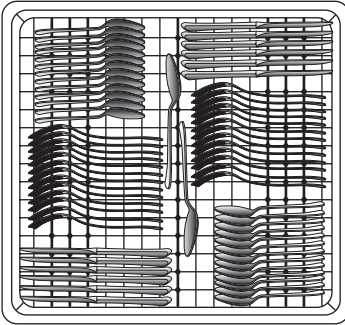
### NOTES:

- Do not load silver or silver-plated silverware with stainless steel. These metals can be damaged by contact with each other during washing.

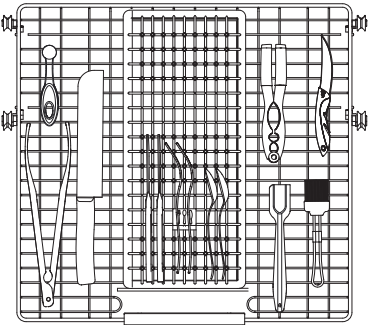
### THIRD RACK

The Third Rack can be used to load cutlery or other accessories, such as spatulas, cooking spoons or tumbler lids.

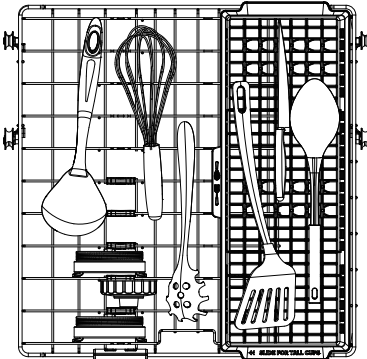
Silverware, knives, and utensils should be loaded in the Third Rack so that they do not nest together.



MDT24P3\*\*



MDT24P6\*\*

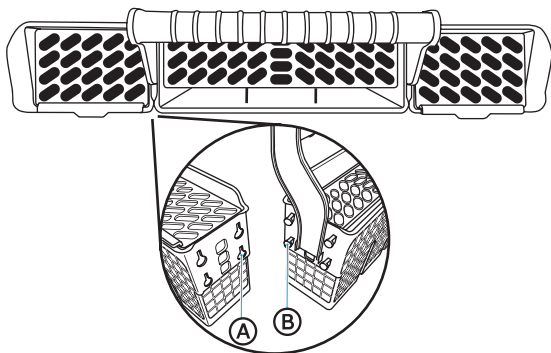


MDT24P7\*\*

## THREE-PIECE SILVERWARE BASKET (IF EQUIPPED)

The silverware basket consists of three separate sections. For optimum loading flexibility, the center section of the basket can be used individually, joined with one or both side sections, or removed.

- Lift the handle to remove the silverware basket and set the basket on a counter or table top.
- Lift up on each side section to disengage the center section from the keyhole slots in the side sections.
- Either replace the section(s) in the bottom rack and load the silverware, OR load the silverware while the section(s) are on the countertop and then replace the basket in the bottom rack.



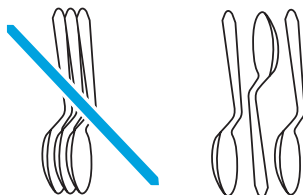
(A) Keyhole Slots

(B) Prongs

MDT24P3\*\*\*

### For Best Results:

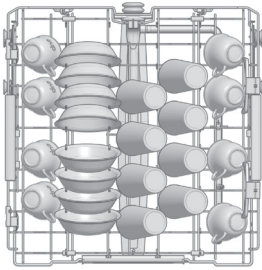
- Load spoons and forks with handles down, knives tip down.
- Place small items such as baby bottle caps, jar lids, corncob holders, etc. in the section(s) with hinged cover(s). Close the cover to hold small items in place.
- Pay careful attention to ensure silverware is not nested. Water cannot reach nested items to clean them effectively.



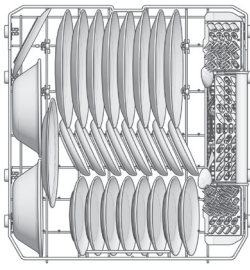
**IMPORTANT:** Always load sharp items(knives, skewers, etc.)pointing down. Be sure that nothing that may block the wash arm protrudes Through the bottom of the basket or rack.



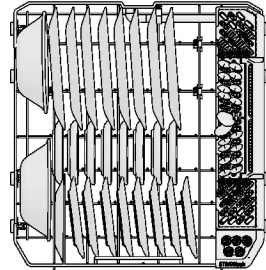
# RECOMMENDED LOADING PATTERNS



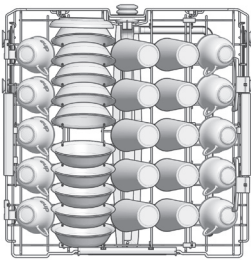
Upper Rack, 8 place settings



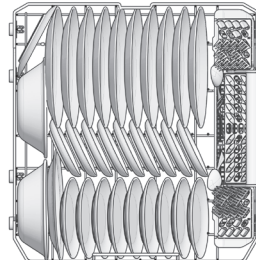
Lower Rack, 8 place settings



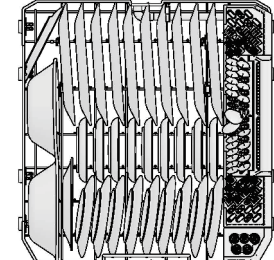
Lower Rack, 8 place settings



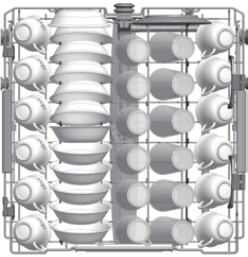
Upper Rack, 10 place settings



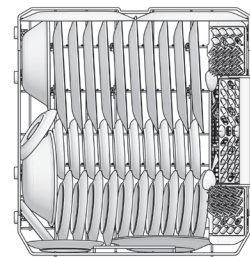
Lower Rack, 10 place settings



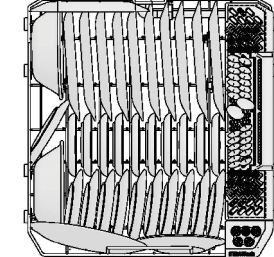
Lower Rack, 10 place settings



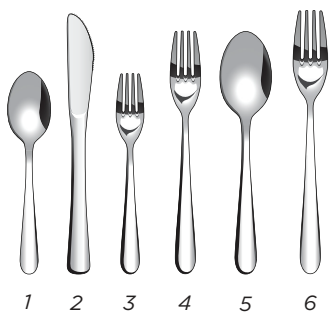
Upper Rack, 12 place settings  
(MDT24P3\*\*\*/MDT24P6\*\*\*/  
MDT24P7\*\*\*)



Lower Rack, 12 place settings  
(MDT24P3\*\*\*)

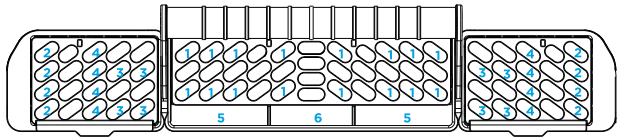


Lower Rack, 12 place settings  
(MDT24P6\*\*\*/MDT24P7\*\*\*)

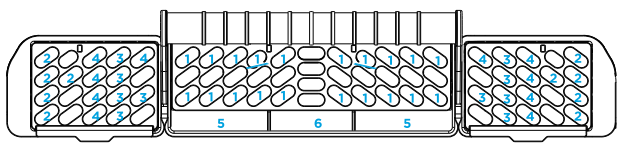


1. Spoons
2. Knives
3. Salad Forks
4. Forks
5. Large Spoons
6. Large Forks

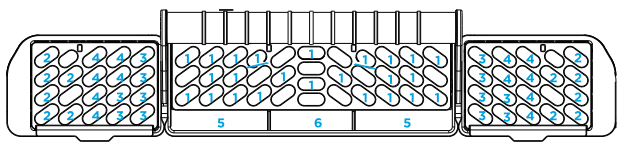
**MDT24P3\*\*\***



8 Place Settings

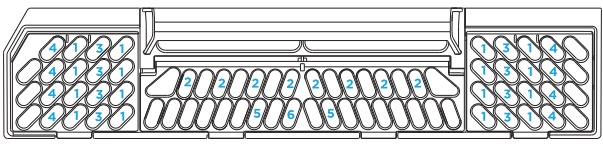


10 Place Settings

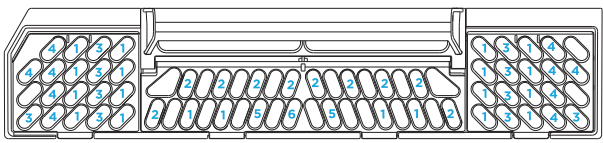


12 Place Settings

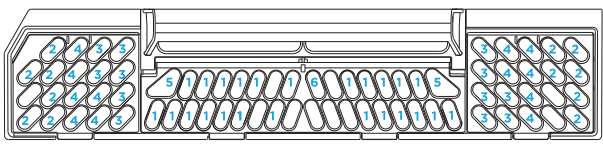
**MDT24P6\*\*\*/MDT24P7\*\*\***



8 Place Settings



10 Place Settings



12 Place Settings

# APP SETUP AND OPERATION

## How to Connect with SmartHome App

**Before you start, make sure that:**

1. Your smartphone is connected to your home network, and you know the password.
2. You are near the appliance.
3. The 2.4GHz wireless signal is enabled on your router.
4. Bluetooth is turned on, and the app has permission to discover nearby smart devices.

### Download the SmartHome app

In the app store (Google Play Store or Apple App Store), search for SmartHome. Download and install it on your phone. You can also download the app by scanning the QR code below.



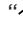
### Register and log in


Open the SmartHome app and create a new account to get started (you can also register using a third-party account). If you already have an account, simply log in.



## CONNECT YOUR DEVICES TO SMARTHOME

1. Ensure your mobile phone is connected to a wireless network. If not, go to Settings and enable wireless and Bluetooth.
2. Power on your dishwasher.

The indicator icon “” will begin blinking automatically every time the dishwasher powers on, which means the dishwasher is ready to connect to the network.

**NOTE:** The “” s ymbol indicator light will turn off if there is no network connection after 10 minutes. You can press and hold the SMART CONTROL button for 3 seconds to activate it again.



### The icon “” Status Explanation:

- Quick Flash - Connecting to the router
- Slow Flash - Connecting to the server
- Light on - Successfully connected to the network
- Light off - Wireless module is powered off

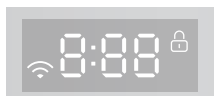
3. Open the SmartHome app on your phone.
4. If a message saying “Smart devices discovered nearby” appears, click on it to add the device.



5. If no message appears, tap the "+" icon on the page and select your device from the list of nearby available devices. If your device is not listed, add it manually by selecting the device category and model.



6. Connect your device to the wireless network according to the instructions on app. If the connection fails, please follow the instructions provided by the app's troubleshooting and continue the process. Once the network connection is successful, the "Wi-Fi" icon will remain solid on.



### Turning Off the Network Connection (Temporarily):

With the door open and the machine powered off, press and hold the SMART CONTROL button for 10 seconds to disconnect the wireless module's power. To restore the network connection, press and hold the SMART CONTROL button for another 10 seconds, or turn the machine on and press the SMART CONTROL button for 3 seconds to reconnect to the network.

### Canceling or Resetting the Network Connection:

With the door open and the power on, press and hold the SMART CONTROL button for 15 seconds. This will disconnect the network and reset it to factory default settings.

## REMOTE START COMMISSIONING AND USAGE

Using this feature, you can monitor and control the dishwasher remotely through a wireless connection.

### Remote Control Levels and Settings

The remote control feature has three levels: Off, One Time, and Permanent. These can only be adjusted through the app.

- **Off:** When Off is selected in the app, you can only check the device status. Remote operation is disabled. The Smart Control indicator will be off.
- **One Time:** When One Time is selected, pressing the Smart Control button will turn on the indicator light, enabling remote control. However, remote control will be disabled if the door is opened or powered down. To reactivate, press the Smart Control button and close the door.
- **Permanent:** When Permanent is selected, the Smart Control indicator will flash for 15minutes. Within this time, press the Smart Control button on the dishwasher to permanently enable remote control without needing to press the button again for future operations.

### Commissioning and Using Permanent Remote Start

By setting Permanent Remote Control, you can always control the device remotely through the app. Once the Permanent Remote Start is enabled, you won't need to press the Smart Control button again unless you decide to deactivate it. The Remote Start feature allows you to start a cycle from anywhere as long as the door is shut and the feature is enabled.

To enable remote control permanently:

1. Connect the unit to the app.
2. In the app, navigate to the Smart Control page.
3. Select and enable Permanent Remote Start in the app.
4. Once Permanent Remote Start is enabled, press the Smart Control button on the unit within 15 minutes of enabling.
5. Permanent Remote Start is now active until turned off.

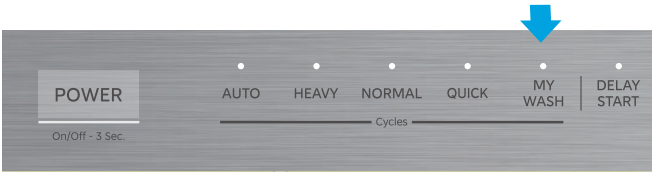
# MY WASH SETUP AND USE

My Wash allows you to create a custom cycle on the SmartHome App that can be saved and loaded on to your dishwasher so that your favorite specialized cycle can be right at your fingertips. The default MY WASH cycle is a NORMAL cycle with AUTO OPEN and EXTENDED DRY options selected.

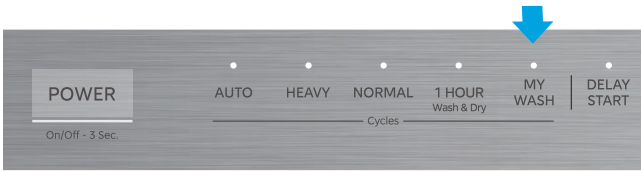
To use My Wash,

1. Click on the More button next to Cycles on the dishwasher status page.
2. Click on My Wash and select Settings. You can now edit My Wash to set the cycle, options, and bottle wash times you prefer.
3. Click Start when complete. The and the cycle will be saved in the app and uploaded to the My Wash button on your dishwasher.

## MDT24P3\*\*\*/MDT24P6\*\*\*



## MDT24P7\*\*\*



# DISHWASHER USE

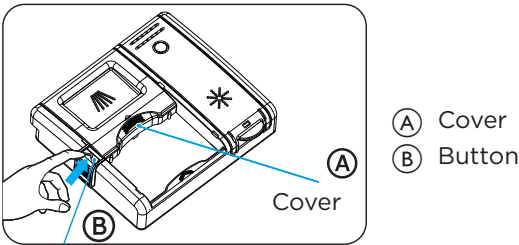
## PROPER USE OF DETERGENT

### IMPORTANT:

- Use automatic dish washing detergent only. Other detergents can produce excessive suds that can overflow out of the dishwasher and reduce washing performance. Dishwasher pods are recommended for optimal performance.
- Add detergent just before starting a cycle. Ensure the detergent cup is dry before adding powdered detergent. Wet powdered detergent can stick to the detergent cup and is difficult to wash out.
- Store detergent in a tightly closed container in a cool, dry place. Fresh automatic dishwasher detergent results in better cleaning.

## DETERGENT DISPENSER

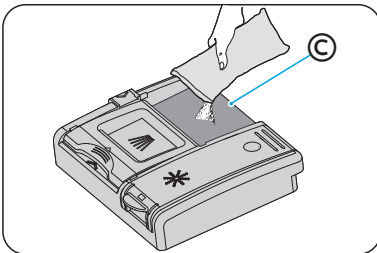
1. If the dispenser cover is closed, open it by pressing the button. The cover will slide open.



2. Add the recommended amount of detergent to the detergent cup.

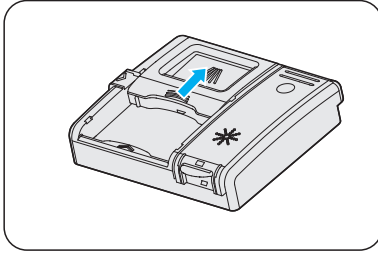
**NOTE:** If using dishwasher detergent in tablet or pod form, place the detergent in the detergent cup, NOT in the tub, to maximize the performance of the detergent.

Do not put detergent or rinse aid into the DRY VENT. Doing so could render the unit inoperable.



(C) Detergent Cup

3. Slide the dispenser cover to close it.



## HOW MUCH DETERGENT TO USE

The amount of detergent to use depends on the soil level of your load, the type of detergent used and the hardness of your water.

- If you use too little detergent, dishes won't be clean.
- If you have soft water and use too much detergent, glassware can etch.

### Water Hardness

Water hardness varies depending on your water source. For the best results, your dishwasher is designed to operate with water that has a hardness of no more than 7 grains per gallon. Test kits are available from all major appliance parts retail outlets. If your water has a hardness over 8 grains per gallon, you may consider installing a water softener or regularly use an additive to enhance the performance of your detergent.

## PROPER USE OF RINSE AID

Rinse aid prevents water from forming droplets that can dry as spots or streaks. A small amount of the rinse aid is released into the final rinse water, which aids water in draining from the dishes.

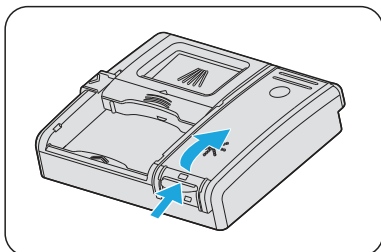
Rinse aid greatly improves drying performance.

Your dishwasher is designed to use a LIQUID rinse aid. Do not use a solid or bar-type rinse aid.

## RINSE AID DISPENSER

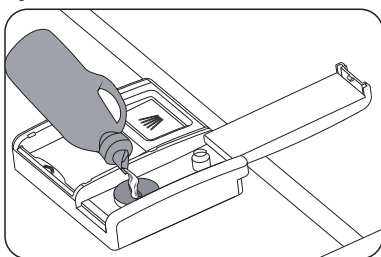
Under normal conditions, you will need to fill the rinse aid dispenser approximately once a month. Rinse aid is released through an opening in the dispenser. You do not need to wait until the dispenser is empty to refill it. Try to keep it full, but be careful not to overfill it.

1. Open the dishwasher door.
2. Flip the rinse aid lid open.



3. Pour rinse aid into the dispenser until the sight window indicates FULL.

**NOTE:** Do NOT overfill. Excess rinse aid can overflow during the wash cycle.



4. You can adjust the amount of the rinse aid released during the rinse. The higher the number, the greater the amount of rinse aid released.
  - If your glassware has spots following the cycle, increase the rinse aid setting.
  - If your glassware has streaks after the cycle, decrease the rinse aid setting.

### Rinse Aid Setting Method:

- 1) Open the door and turn on the dishwasher
- 2) Within 60 seconds, press and hold the MY WASH button for 5 seconds to enter Setting Mode. The Low Rinse Aid indicator will flash, and the current level will display. The default level is d5, and the highest level is d6.
- 3) Press the MY WASH button to cycle through the levels: "d5 → d6 → d1 → d2 → d3 → d4 → d5."
- 4) If no buttons are pressed for 5 seconds or powered off the selected level is saved, and the system exits the Setting Mode.
5. Clean up any spilled rinse aid with a damp cloth.
6. Close the rinse aid door.

## WASHING SPECIAL ITEMS

If you have doubts about washing a particular item, check with the dishware manufacturer to make sure it is dishwasher safe.

Material	Dishwasher Safe	Comments
Aluminum	Possible	High water temperature and detergents can affect the finish of anodized aluminum. Unfinished aluminum will be discolored.
Disposable Aluminum	No	Do not wash disposable aluminum pans in the dishwasher. These might shift during washing and transfer black marks to dishes and other items.
Bottles and Cans	No	Wash disposable bottles and cans by hand. Labels attached with glue can loosen and clog the spray arms or pump, reducing washing performance.
Cast Iron	No	The seasoning will be removed and iron will rust.
China/Stoneware	Yes	Always check manufacturer's recommendations before washing. Antique, hand-painted, or over-the-glaze patterns may fade, and gold leaf can discolor or fade.
Crystal	Yes	Check manufacturer's recommendations before washing. Some types of leaded crystal can etch with repeated washing.
Gold	No	Gold-colored flatware will discolor.
Glass	Yes	Milk glass yellows with repeated dishwasher washing.
Hollow-Handle Knives	No	The handles of some knives are attached to the blade with adhesive that can loosen if washed in the dishwasher.
Pewter Brass, Bronze	No	High water temperatures and detergent can discolor or pit the finish.
Disposable Plastics	No	Cannot withstand high water temperatures and detergents. Do not use disposable or non-dishwasher safe straws in the STRAWash feature.
Plastics	Yes	Always check manufacturer's recommendations before washing. Plastics vary in their capacity to withstand high temperatures and detergents. Load plastics in top rack only. Do not use disposable or non-dishwasher safe straws in the STRAWash feature.

Material	Dishwasher Safe	Comments
Stainless Steel	Yes	Run a rinse cycle if not washing immediately. Prolonged contact with food containing salt, vinegar, milk products, or fruit juice can damage finish.
Sterling Silver or Silver Plate	Yes	Run a rinse cycle if not washing immediately. Prolonged contact with food containing salt, acid, or sulfide (eggs, mayonnaise, and seafood) can damage finish.
Tin	No	Can rust.
Wooden Ware	No	Wash by hand. Always check manufacturer's instructions before washing. Untreated wood can warp, crack, or lose its finish.

# DISHWASHER CARE

## CLEANING

NOTE: Please unplug the dishwasher before cleaning and maintenance. Use a soft cloth moistened with mild detergent to wipe down the exterior, then use a dry cloth to wipe it again.

### CLEANING THE EXTERIOR

- In most cases, regular use of a soft, damp cloth or sponge and a mild detergent is all that is necessary to clean outside of your dishwasher.
- Clean the stainless steel door and handle regularly with a clean, soft cloth to remove debris.

**IMPORTANT:** Do not use appliance wax, polish, bleach, or products containing chlorine to clean the stainless steel door.

- Gently clean the control panel with a clean, soft cloth.

### CLEANING THE INTERIOR

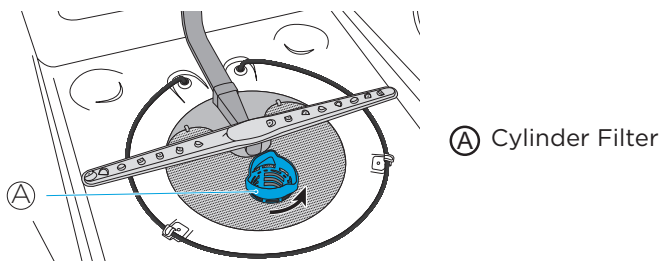
- The tub is made of stainless steel and is designed to resist rust and corrosion if the dishwasher is scratched or dented.
- Hard water minerals can cause a white film to build up on the inside surfaces, especially just beneath the door area.
- Do not clean the dishwasher interior until it has cooled. Wear rubber gloves. Do not use any type of cleanser other than dishwasher detergent because it may cause foaming or create suds.
- Clean the steel inner door and tub with a clean, soft damp cloth.
- Using a damp cloth, clean around the door gasket regularly to remove food particles.

## CLEANING THE FILTERS

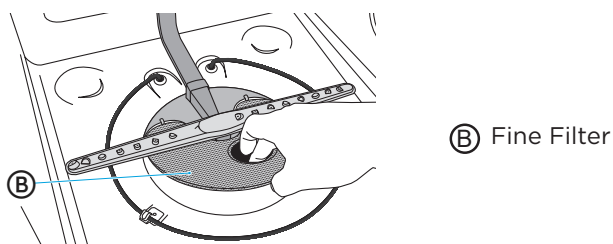
Your dishwasher has a multi-filter system, which helps your dishwasher perform better, using less water and less energy. The features on your dishwasher may vary from the drawings shown below.

Check and clean the filters regularly for best performance.

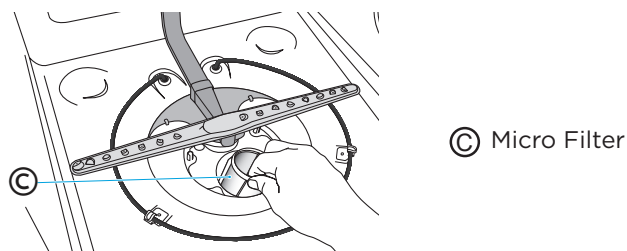
1. Remove the lower dishwasher rack.
2. Rotate the Cylinder Filter counterclockwise for a quarter turn and lift up to remove.



3. Empty the Cylinder Filter and rinse it under running water.
4. Remove the Fine Filter.



5. Remove the Micro Filter from the bottom of the tub.



6. Inspect both the Fine Filter and the Micro Filter for debris, and then clean them by holding the filters under slow running warm water.

**NOTE:** A stiff, plastic bristle brush may be needed to remove some debris.

7. Reinstall the filters in reverse order, making sure the Cylinder Filter locks into place.

## DRAIN AIR GAP

Check the drain air gap anytime your dishwasher isn't draining well. Some state or local plumbing codes require the addition of a drain air gap between a built-in dishwasher and the home drain system. If a drain is clogged, a drain air gap prevents water from backing up into the dishwasher.

The drain air gap is usually located on top of the sink or countertop near the dishwasher.

**NOTE:** The drain air gap is an external plumbing device that is not part of your dishwasher. The warranty provided with your dishwasher does not cover service costs directly associated with the cleaning or repair of the external drain air gap.

### To Clean the Drain Air Gap:

Clean the drain air gap periodically to ensure proper drainage of your dishwasher. Follow the cleaning instructions provided by the manufacturer.

### For Most Drain Air Gap Types:

1. Turn off the dishwasher.
2. Lift off the metal cover, and then unscrew the plastic cap.
3. Clean the plastic cap with a toothpick.

## STORING

### STORING DURING THE SUMMER MONTHS

If storing your dishwasher under warm-weather conditions for a long period of time, protect it by turning off the water supply and power supply to the dishwasher.

### WINTERIZING YOUR DISHWASHER

Protect your dishwasher and home against water damage caused by freezing water lines. If your dishwasher is left in a seasonal dwelling or could be exposed to near freezing temperatures, have your dishwasher winterized by authorized service personnel.

### Prepare for Storage:

1. Turn off electrical power to the dishwasher.
2. Turn off the water supply.
3. Place a pan under the inlet valve, and then disconnect the water line from the inlet valve.
4. Disconnect the drain line from the pump and drain water into the pan.

**Prepare for Use:**

1. Reconnect the water, drain and electrical power supply.
2. Turn on the water and electrical power supply.
3. Fill the detergent cup and run the dishwasher through a heated wash cycle.
4. Check connections for leaks.

## GENERAL TROUBLESHOOTING

### DISHWASHER NOT OPERATING PROPERLY

PROBLEM	POSSIBLE CAUSE	SOLUTION
<b>Dishwasher does not run or stops during a cycle</b>	There is no power to the dishwasher.	Replace the fuse, reset the circuit breaker, reset the GFCI, and ensure the dedicated dishwasher switch is turned on, if your home has one.
	The door is not closed tightly and latched.	Close and latch the door.
	Most cycles pause for 5 minutes near the start of a cycle to let the dishes soak.	This is normal, and reduces the energy required to clean the dishes.
	Certain cycles may repeatedly sound paused during the cycle.	This is normal.
<b>Dishwasher does not start a cycle</b>	The Delay feature is selected.	To reset, see the “Operating Instructions” section on Page 33.
	Control Lock feature is activated.	Deactivate Control Lock. See the “Operating Instructions” section on Page 33.
<b>Dishwasher will not fill</b>	Door not closed within 4 seconds of START button being pressed	Close door within 4 seconds of pressing START.
	The water shutoff valve is not turned on.	Turn on the water shutoff valve.
	The door is not closed tightly and latched.	Close and latch the door.
	Water pressure is too low.	Verify a minimum of 20 psi water pressure is maintained during the filling operation.

PROBLEM	POSSIBLE CAUSE	SOLUTION
<b>Dishwasher seems to run too long</b>	The water supplied to the dishwasher is not hot enough.	The dishwasher will add time to your cycle to heat water if your inlet water temp is too low. Run the water in the adjacent sink until it gets hot before turning on the dishwasher.
	The Sanitize option is selected.	The cycle time increases to heat the water to the correct temperature for sanitizing.
	The cycle time will vary depending on soil level.	When heavy soil is detected, the Normal and Auto cycles will automatically increase the cycle time.
<b>Water remains in the dishwasher</b> <b>NOTE:</b> A small amount of clean water around the outlet in the bottom of the tub is normal. It keeps the seal lubricated.	The cycle is not complete or it is in a paused state.	The water will drain when the cycle is completed.
	The drain hose is kinked.	Straighten the drain hose.
	The knockout plug is still in the garbage disposal.	Remove the knockout plug.
	Drain hose is connected to the garbage disposal, and the garbage disposal is not empty.	Run the garbage disposal until it is empty.
	Drain is clogged. Filter is not installed correctly and soil has breached and clogged the drain pump.	Check the air gap and drain pipes for a clog.
<b>Detergent remains in the dispenser</b>	The cycle has not completed.	Close the door and press START to complete cycle.
	The detergent is damp or has clumped or hardened.	Remove detergent and replace with fresh dry dishwasher detergent.
	An item was blocking the dispenser.	Remove item. Remove detergent and replace with fresh dry dishwasher detergent.
	The spray arm is blocked.	Load the dishes in a manner that does not block the spray arm from rotating freely.
	The pod was used in a cycle that was not long enough to dissolve it properly, such as the Rinse cycle.	Do not use a pod when selecting a short cycle, such as Rinse.

PROBLEM	POSSIBLE CAUSE	SOLUTION
<b>Grinding, grating, crunching or buzzing sounds</b>	A hard object or powder detergent granules have entered the wash or drain pump.	<b>IMPORTANT:</b> Clear glass is hard to see in water, and could result in a cut wound. Using care, remove the hard object. If the noise was caused by detergent granules, the noise should stop once the detergent is ground up. Objects could be in or below filters. <b>NOTE:</b> If the noise persists after a complete cycle, call for service.
<b>Beeps</b>	Indicates the wash cycle is completed, or user has interacted with the dishwasher or app. <b>NOTE:</b> A rapid beep indicates an error condition.	This is normal.  See "Error Codes" on Page 73.
<b>Suds in the Tub</b>	Used wrong type of detergent, or used too much detergent.	Use only detergent approved for automatic dishwashers.
<b>Dishwasher Leaks</b>	Excessive suds caused by using improper detergent. Dishwasher is not level. Water/drain connection is leaking. Door gasket is breached or has come out.	Use only detergent approved for automatic dishwashers.  Level the dishwasher. See Installation Instructions.  Ensure the gasket is properly aligned in its groove, and replace it if damaged.
<b>Rinse Aid light is on</b>	The Rinse Aid level is low.	Add liquid Rinse Aid.

## DISHES ARE NOT COMPLETELY CLEAN

PROBLEM	POSSIBLE CAUSE	SOLUTION
<b>Food residue remains on the dishes</b>	Dishwasher is not loaded correctly.	See "Loading Suggestion" on Page 43.
	The wrong wash cycle for the dish load was selected.	Select the wash cycle based on the most difficult soil in the dishwasher load. If you have some items with heavier soil, use a heavier washing cycle.
	Temperature low.	For best results, the temperature of the incoming water should be a minimum of 120°F (49°C).
	Used incorrect amount of detergent.	Use a minimum of 1 Tbsp. (15 g) detergent per load. Heavy soil and/or hard water generally requires additional detergent.

PROBLEM	POSSIBLE CAUSE	SOLUTION
<b>Food residue remains on the dishes (cont.)</b>	Detergent is too old.	Detergent must be fresh to be effective. Store detergent in a cool, dry area.
	Detergent is caked in the dispenser.	Do not allow detergent to sit for several hours in a wet dispenser. Clean dispenser and refill with fresh, dry detergent.
	Foreign objects clogging the pump or spray arms.	Check pump and spray arm for foreign objects and remove the them.
	Water level is too low.	Water pressure should be 20 to 80 psi (138 to 552 kPa) for proper dishwasher fill. A booster pump on the water supply can be added if pressure is too low.
	High suds are slowing the wash arm.	Use only detergent recommended for the dishwasher. Do not use soap or laundry detergents.
	Filter is not installed correctly	Check that all components of the filter are correctly installed, so that no soil can breach the filters and redeposit on dishware.
	Dishes are placed too closely together or overlapping.	For best results, follow the manufacturer's recommended loading guidelines.

## SPOTS AND STAINS ON DISHES

PROBLEM	POSSIBLE CAUSE	SOLUTION
<b>Spotting and filming on dishes</b>	Rinse Aid dispenser is empty.	Add a liquid rinse aid to the dispenser.
	Hard water. High mineral content in your water	Use a rinse aid and keep the dispenser filled to help eliminate spotting and filming. Increase the setting on Rinse aid dispenser by 1 number per cycle until spotting is eliminated. <b>NOTE:</b> If your water hardness is 7 grains (120 ppm) or above, it is strongly recommended that you install a home water softener.
	Water temperature is too low.	For best results, water should be a minimum of 120°F (49°C) as it enters the dishwasher.
	Did not use enough detergent.	Use a minimum of 1 Tbsp. (15 g) of detergent per load. Heavy soil and/or hard water generally require extra detergent.

PROBLEM	POSSIBLE CAUSE	SOLUTION
<b>Spotting and filming on dishes (cont.)</b>	Detergent is too old.	Detergent must be fresh and dry to be effective. Store detergent in a cool, dry area.
	Home water pressure is too low to fill dishwasher properly.	Water pressure to the home should be 20 to 80 psi (138 to 552 kPa) for proper dishwasher fill. A booster pump on the water supply can be added if pressure is too low.
<b>Silica film or etching</b>	Using too much detergent	If you have soft water use less detergent, but do not use less than 1 Tbsp. (15 g) per load.
	The inlet water temperature exceeds 150°F (65°C).	Lower the incoming water temperature.
<b>Black or gray marks on dishes</b>	Aluminum items rubbing dishes during washing. Disposable aluminum items can break down in the dishwasher and cause marking.	Hand wash aluminum items. Remove aluminum markings by using a mild abrasive cleaner.
<b>Orange stains on plastic dishes or dishwasher interior</b>	Large amounts of tomato-based foods on dishes placed in the dishwasher.	Use a stain removal product to remove stains from your dishwasher. Stains will not affect dishwasher performance.

## DISHES DO NOT DRY COMPLETELY

PROBLEM	POSSIBLE CAUSE	SOLUTION
<b>Dishes are not completely dry</b>  <b>NOTE:</b> Plastics often need towel drying.	Dishes are not loaded properly to allow water drainage.	Do not overload dishwasher. Place glasses and cups in the rack so that the bottom surface is slanted to allow water to run off.
	Rinse Aid not used or dispenser is empty.	Use a liquid rinse aid to speed drying and keep the dispenser full.
	Did not use any dry options.	Use Auto Open, Extended Dry and/or SENSOR TruDry to improve dry performance.

## DISHES ARE DAMAGED DURING A CYCLE

PROBLEM	POSSIBLE CAUSE	SOLUTION
<p><b>Dishes are chipped</b></p> <p><b>NOTE:</b> Some types of china and glassware might be too delicate for automatic dish washing. Wash by hand.</p>	<p>Dishes not loaded properly.</p> <p>Moving the rack in or out of the dishwasher too quickly.</p>	<p>Load the dishes and glasses so they are stable and will not strike together from washing action.</p> <p>Minimize chipping by moving the rack in and out slowly.</p>

## ERROR CODES

Error codes will display on the dishwasher control and may be accompanied by a series of beeps to alert users of an error.

Code	Meanings	Cause	Solution
<b>E1</b>	Not enough inlet water flow in allotted time, or drainage blockage.	<p>Low or no water flow from the hot water valve.</p> <p>Knockout plug is still in the garbage disposal.</p> <p>Drain hose is kinked.</p> <p>Drain is clogged; filter not installed correctly, allowing debris to clog the drain pump.</p>	<p>Ensure the valve is fully opened at the wall and verify that water pressure is between 20–80 psi.</p> <p>Remove the knockout plug. Note: If using a garbage disposal for the first time, make sure the knockout plug is removed.</p> <p>Straighten the drain hose to ensure proper drainage.</p> <p>Check the air gap and drain pipes for clogs. Reinstall the filter properly to prevent debris from entering the pump.</p>
<b>E4</b>	Overflow or leak sensor activated	Too much water in the tub or a leak.	<p>First, turn off water to the dishwasher.</p> <p>Check filter system for blockage.</p> <p><b>IMPORTANT:</b> Watch for broken glass in the filter. If there is no water in the tub, contact Customer Service.</p>
<b>Ed</b>	Communication exception	When the main or control board loses signal for more than 20 seconds, the "Ed" error will display.	<p>Contact Customer Service.</p> <p>Telephone: 1-866-646-4332.</p>

## 2 YEAR LIMITED WARRANTY

This warranty is provided to the original purchaser at retail (the “Purchaser” or “you”) by Midea America Corp. (“Midea” or “we”), which warrants all parts of this Product, as described below. Midea warrants this Product to the purchaser for personal, family or household use. This warranty covers performance and quality issues in materials and workmanship that appear under normal use and maintenance appearing within two years from the date of delivery. This warranty gives you specific rights, and you may also have other rights that vary from state to state.

### WARRANTY LIMITATIONS

This warranty is given only to the original purchaser at retail in either the United States or Canada and may not be transferred to any subsequent buyer. This warranty does not apply to purchasers of our products for use or resale in a business; a separate commercial warranty may protect those purchasers.

This warranty does not cover any Product failure caused by:

- (a) Abuse, damage or use of the Product in violation of the Product instructions.
- (b) Modification to any Product or part.
- (c) Failure to maintain the Product or part as described in accordance with the Product instructions.
- (d) Faulty installation or application.
- (e) Use of parts or accessories not compatible with this Product.
- (f) Floods, fires, winds, lightning, accidents, corrosive atmosphere, or other conditions beyond Midea’s control.
- (g) Interruption in electrical service or inadequate electrical service.
- (h) Replacement of fuses and replacement or resetting of circuit breakers.
- (i) Frozen or broken water pipes, water damage, moisture intrusion, mold or other biological growth.
- (j) The use, combination or linking of the Product to other products, processes or materials not provided by Midea.

### WARRANTY REMEDY

If any quality or performance issue covered by this warranty is discovered during the warranty period, we will, at our option, repair or replace any such Product. This warranty is limited to Product repair or replacement by an authorized Midea servicer or dealer and does not cover any shipping cost, labor cost, customs duties, inland logistics cost, or cost of service, including any diagnostics, removal, transportation, or reinstallation costs. If we ask, you must return the Product to us.

### WARRANTY DISCLAIMER; EXCLUSION OF DAMAGES

This is the only express warranty to consumers that we offer on our Products. **ANY IMPLIED WARRANTIES BY MIDEA, INCLUDING BUT NOT LIMITED TO WARRANTIES OF MERCHANTABILITY AND FITNESS FOR PARTICULAR PURPOSE, ARE LIMITED TO THE DURATION OF THIS EXPRESS WARRANTY.** Some states and provinces do not allow the exclusion of express warranties and/or limitations on how long an implied warranty lasts, so the above exclusion and/or limitation may not apply to you.

**THE REMEDY DESCRIBED ABOVE IS THE ONLY ONE THAT WE WILL PROVIDE, EITHER UNDER THIS WARRANTY OR UNDER ANY WARRANTY ARISING BY OPERATION OF LAW. WE WILL NOT BE RESPONSIBLE FOR ANY CONSEQUENTIAL OR INCIDENTAL DAMAGES ARISING FROM THE BREACH OF THIS WARRANTY OR ANY OTHER WARRANTY, WHETHER EXPRESS OR IMPLIED, NEGLIGENCE OR OTHER TORT, OR ON ANY**

**STRICT LIABILITY THEORY, INCLUDING BUT NOT LIMITED TO LOST PROFITS.** Some states do not allow the exclusion or limitation of incidental or consequential damages, so the above exclusion may not apply to you.

## WARRANTY CLAIMS PROCESS

For more information or to make a warranty claim, please visit:

<https://www.midea.com/us/support>

Or contact us at:

Telephone: 1-866-646-4332

Email: [customerserviceusa@midea.com](mailto:customerserviceusa@midea.com)

You must have Your bill of sale, delivery slip, or appropriate proof of purchase to submit a warranty claim. The date of delivery establishes the warranty period, should service be required.

## DISPUTE RESOLUTION

**ARBITRATION CLAUSE. IMPORTANT. PLEASE REVIEW THIS ARBITRATION CLAUSE. IT AFFECTS YOUR LEGAL RIGHTS.**

- (a) *Parties:* This arbitration clause (this "Arbitration Clause") affects your rights against Midea and any of its affiliates or employees or agents, successors, or assigns, all of whom together are referred to below as "we" or "us" for ease of reference.
- (b) **ARBITRATION REQUIREMENT: EXCEPT AS STATED BELOW, ANY DISPUTE BETWEEN YOU AND ANY OF US SHALL BE DECIDED BY NEUTRAL, BINDING ARBITRATION RATHER THAN IN COURT OR BY JURY TRIAL.** "Dispute" will be given the broadest possible meaning allowable by law. It includes any dispute, claim, or controversy arising from or relating to your purchase of this Product, any warranty upon the Product, or the Product's condition. It also includes determination of the scope or applicability of this Arbitration Clause. The arbitration requirement applies to claims in contract and tort, pursuant to statute, or otherwise.
- (c) **CLASS-ARBITRATION WAIVER: ARBITRATION IS HANDLED ON AN INDIVIDUAL BASIS. IF A DISPUTE IS ARBITRATED, YOU AND WE EXPRESSLY WAIVE ANY RIGHT TO PARTICIPATE AS A CLASS REPRESENTATIVE OR CLASS MEMBER ON ANY CLASS CLAIM YOU MAY HAVE AGAINST US OR WE AGAINST YOU, OR AS A PRIVATE ATTORNEY GENERAL OR IN ANY OTHER REPRESENTATIVE CAPACITY, TO THE MAXIMUM EXTENT PERMITTED BY LAW. YOU AND WE ALSO WAIVE ANY RIGHT TO CLASS ARBITRATION OR ANY CONSOLIDATION OF INDIVIDUAL ARBITRATIONS.**
- (d) *Discovery and Other Rights:* Discovery and rights to appeal in arbitration are generally more limited than in a lawsuit. This applies to both you and us. Other rights that you or we would have in court may not be available in arbitration. Please read this Arbitration Clause and consult the rules of the arbitration organizations listed below for more information.
- (e) **SMALL CLAIMS COURT OPTION: YOU MAY CHOOSE TO LITIGATE ANY DISPUTE BETWEEN YOU AND ANY OF US IN SMALL CLAIMS COURT, RATHER THAN IN ARBITRATION, IF THE DISPUTE MEETS ALL REQUIREMENTS TO BE HEARD IN SMALL CLAIMS COURT.**
- (f) *Governing Law:* For residents of the United States, the procedures and effect of the arbitration will be governed by the Federal Arbitration Act (9 U.S.C. § 1 et seq.) rather than by state law concerning arbitration. For residents of Canada, the procedures and effect of the arbitration will be governed by the applicable arbitration law of the province in which you purchased your Product. The law governing your substantive warranty rights and other claims will be the law of the state or province in which you purchased your Product. Any court having jurisdiction may enter judgment on the arbitration award.

- (g) *Rules of the Arbitration:* If the amount in controversy is less than \$250,000, the arbitration will be decided by a single arbitrator. If the amount in controversy is greater than or equal to \$250,000, the arbitration will be decided by a panel of three arbitrators. The arbitrator(s) will be chosen pursuant to the rules of the administering arbitration organization. United States residents may choose JAMS (1920 Main Street, Ste. 300, Irvine, CA 92614, [www.jamsadr.com](http://www.jamsadr.com)), or, subject to our approval, any other arbitration organization. In addition, Canadian residents may choose the ADR Institute of Canada (234 Eglinton Ave. East, Suite 405, Toronto, Ontario, M4P 1K5, [www.amic.org](http://www.amic.org)). These organizations' rules can be obtained by contacting the organization or visiting its website. If the chosen arbitration organization's rules conflict with this Arbitration Clause, the provisions of this Arbitration Clause control. The award of the arbitrator(s) shall be final and binding on all parties.
- (h) *Location of the Arbitration Hearing:* Unless applicable law provides otherwise, the arbitration hearing for United States residents will be conducted in the federal judicial district in which you reside (in your hometown area) or, for Canadian residents, in the province in which you reside, and, if you choose, will be in-person.
- (i) *Costs of the Arbitration:* Each party is responsible for its own attorney, expert, and other costs and fees unless applicable law requires otherwise. Notwithstanding the preceding sentence, and unless applicable law requires otherwise, if you are a consumer under the JAMS rules or the rules of another agreed upon arbitration administrator, Midea will pay or reimburse you for all reasonable fees or costs to the extent required by law or the applicable arbitration administrator's rules. Whether or not required by law or such rules, if you prevail at arbitration on any claim against Midea, Midea will reimburse you for any reasonable fees paid to the arbitration administrator in connection with the arbitration proceedings. Under no circumstances will Midea seek from you payment or reimbursement of any reasonable fees that Midea incurs in connection with the arbitration. If you are required to advance any fees or costs to JAMS or other agreed upon arbitration administrator, but you ask Midea to do so in your stead, Midea will consider and respond to your request.
- (j) *Survival and Enforceability of this Arbitration Clause:* This Arbitration Clause shall survive the expiration or termination, or any transfer, of the warranty on your Product. If any part of this Arbitration Clause, except waivers of class-action rights, is found to be unenforceable for any reason, the remainder of this clause and the warranty shall remain enforceable. If, in a case in which class-action allegations have been made, the waiver of class-action rights under this warranty is found to be unenforceable with respect to any part of the dispute, the parts of the dispute as to which the waiver of class-action rights have been found unenforceable will be severed and will proceed in court without reference or application of this Arbitration Clause. Any remaining parts will proceed in arbitration.

## QUEBEC RESIDENTS

The arbitration provisions of this warranty shall not apply to residents of Quebec.

## CERTIFICATIONS

Please note that changes or modifications of this product is not expressly approved by the party responsible for compliance could void the user's authority to operate the equipment.

This equipment complies with FCC's RF radiation exposure limits set forth for an uncontrolled environment.

The antenna(s) used for this transmitter must be installed and operated to provide a separation distance of at least 20 cm from all persons and must not be collocated or operating in conjunction with any other antenna or transmitter. Installers must ensure that 20cm separation distance will be maintained between the device (excluding its handset) and users.

### Federal Communications Commission (FCC) Compliance Statement for USA

This device complies with part 15 of the FCC rules. Operation is subject to the following two conditions: (1) This device may not cause harmful interference, and (2) this device must accept any interference received, including interference that may cause undesired operation.

Note: This equipment has been tested and found to comply with the limits for a Class B digital device, pursuant to part 15 of the FCC Rules. These limits are designed to provide reasonable protection against harmful interference in a residential installation. This equipment generates, uses and can radiate radio frequency energy and, if not installed and used in accordance with the instructions, may cause harmful interference to radio communications. However, there is no guarantee that interference will not occur in a particular installation. If this equipment does cause harmful interference to radio or television reception, which can be determined by turning the equipment off and on, the user is encouraged to try to correct the interference by one or more of the following measures:

- Reorient or relocate the receiving antenna.
- Increase the separation between the equipment and receiver.
- Connect the equipment into an outlet on a circuit different from that to which the receiver is connected.
- Consult the dealer or an experienced radio/TV technician for help.

This equipment complies with FCC radiation exposure limits set forth for an uncontrolled environment.

### FCC Supplier's Declaration of Conformity

Product Name: Dishwasher

Model number: MDT24P3\*\*\*/ MDT24P6\*\*\*/MDT24P7\*\*\*

Supplier's Name: Midea America Corp.

Supplier's Address (USA): 300 Kimball Dr. Parsippany, NJ 07054

Supplier's Website: <http://midea.com/us>

Contact Email/Telephone: 1-866-646-4332

### Industry Canada (IC) Compliance Statement for Canada

This device complies with Industry Canada license-exempt RSS standard(s). Operation is subject to the following two conditions: (1) this device may not cause interference, and (2) this device must accept any interference, including interference that may cause undesired operation of the device.

CAN ICES-003(B)/NMB-003(B)

Midea is not responsible for any changes or modifications not expressly approved by Midea. Such modifications could void the user's authority to operate the equipment.

For model: MWB-S-WB01

FCC ID: 2ADQOMWB-SWB01

