

RF25C5A01SR

SAMSUNG

Bespoke AI 25 cu. ft. 3-Door French Door Refrigerator
with Auto Ice Maker & All-Around Cooling in Stainless Steel



Available Color



Fingerprint Resistant
Stainless Steel
RF25C5A01SR

Design

- 24.5 cu. ft. Capacity
- Fingerprint Resistant Finish
- ADA Compliant

Technology

- Wi-Fi Enabled
- Power Cool & Power Freeze
- Door Alarm
- Water Filter Indicator

Performance

- All-Around Cooling
- AI Energy Mode*
- Auto Ice Maker with Cubed Ice

* Available on Android and iOS devices. A Wi-Fi connection and a Samsung account are required.

Additional Specifications

Refrigerator: 16.5 cu. ft.

- 1 Slide-In Shelf, 3 Tempered Glass Spill-Proof Shelves
- Full-Width Drawer
- 2 Clear Drawers
- 6 Door Bins with 1 Gallon Door Bin
- Top LED Lighting

Freezer: 8 cu. ft.

- LED Lighting

Accessories

- Water Filter: HAF-QIN/EXP

Rating



ENERGY STAR® rated:
643 kWh/yr

Dimensions

Product Dimensions & Weight

Dimensions (WxHxD with hinges, handles and doors):
32³/₁₆" x 70" x 35⁵/₈"

Dimensions (WxHxD without hinges and door):
32³/₁₆" x 68⁷/₈" x 29³/₄"

Dimensions (WxHxD with hinge and door, no handle):
32³/₁₆" x 70" x 33⁵/₁₆"

Weight: 246.9 lbs

Shipping Dimensions & Weight

Dimensions: 32⁵/₈" x 73¹/₂" x 35"

Weight: 253.5 lbs

Warranty

One (1) Year Parts and Labor on Refrigerator.
Ten (10) Years Parts on Digital Inverter Compressor

*Compressor, evaporator, condenser, drier and connecting tubing.

UPC

| Color | Model # | UPC Code |
|---------------------------------------|-------------|--------------|
| Fingerprint Resistant Stainless Steel | RF25C5A01SR | 198957273872 |

RF25C5A01SR

SAMSUNG

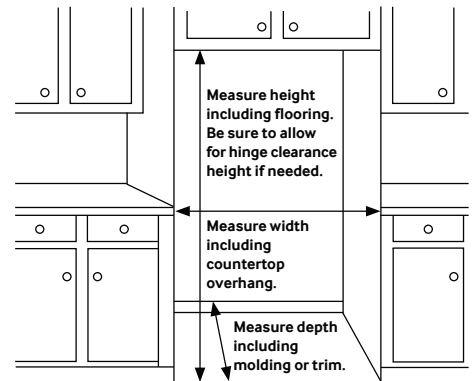
Bespoke AI 25 cu. ft. 3-Door French Door Refrigerator with Auto Ice Maker & All-Around Cooling in Stainless Steel

Installation Specifications

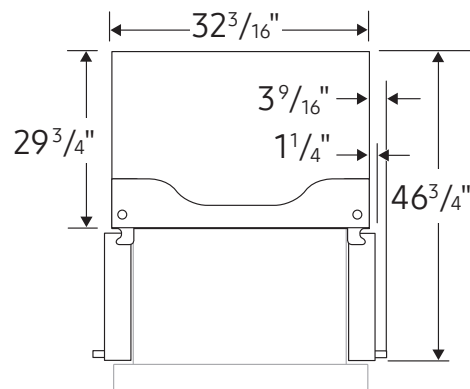
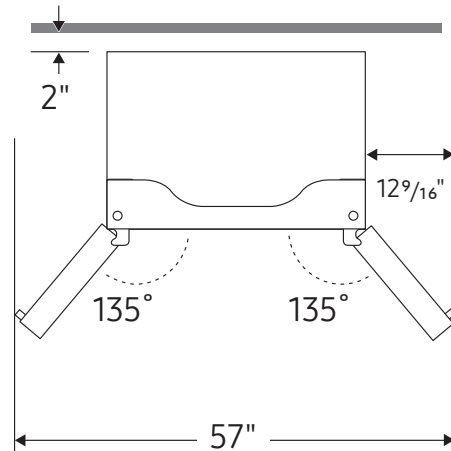
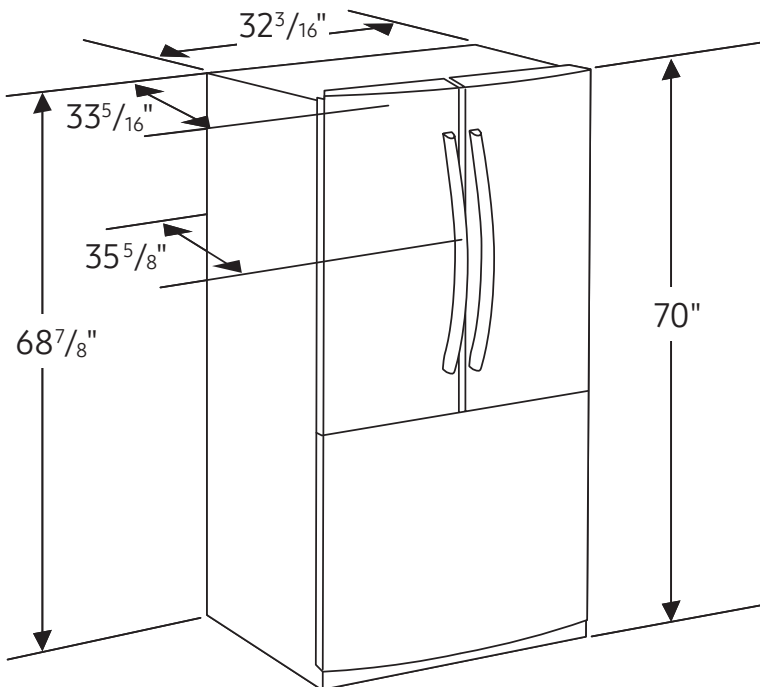
1. Measure the height, width and depth of the opening, making sure to include baseboards, molding tile, countertop overhang, etc. Check to be sure there is enough room to open the door (consider walls, islands or other obstacles when measuring).
2. Refer to illustrations below to determine dimensions.
3. Allow 2.5" of clearance on hinge side of refrigerator when installing next to a wall where handle may make contact.
4. Allow 2" minimum clearance at rear for proper air circulation and water/electrical connections. Allow a 3/8" minimum clearance at top for ease of installation.
5. Ensure each door and entryway in the home is wide enough for the refrigerator to be moved through easily.

For optimal usage and ability to open refrigerator doors completely, do not install next to a wall.

Please note: The following dimensions and cutout information is for planning purposes only. For complete installation details, consult manual packed with product or download manual online at samsung.com.



Dimensions



***Allow 3³/₄" of clearance
when installing next to a wall.**

