

# RF70H25HER

SAMSUNG

Bespoke AI 24 cu. ft. Counter Depth 3-Door French Door Refrigerator with Zero Clearance Fit & Dual Auto Ice Maker in Stainless Steel



## Available Color

 **Fingerprint Resistant  
Stainless Steel**  
RF70H25HER

## Design

- Zero clearance fit
- 24 cu. ft. Counter Depth Capacity
- Counter Depth and Full Depth Available
- New Tall External Filtered Water and Ice Dispenser
- Fingerprint Resistant Finish
- New Bar Handles
- ADA Compliant

## Technology

- Wi-Fi Enabled
- Power Cool & Power Freeze
- Door Alarm
- Water Filter Indicator

## Performance

- AI Energy Mode\*
- AI Precise Cooling
- AI Inverter Compressor
- Three Ice Types: Curved, Crushed and Cubed Ice

\* Available on Android and iOS devices. A Wi-Fi connection and a Samsung account are required.

## Additional Specifications

### Refrigerator: 16.5 cu. ft.

- Tall External Filtered Water and Ice Dispenser
- 1 Slide-In Shelf, 3 Tempered Glass Spill-Proof Shelves
- Full-Width Drawer
- 2 Clear Drawers
- 5 Door Bins with 1 Gallon Door Bin
- Top LED Lighting

### Freezer: 7 cu. ft.

- LED Lighting

## Accessories

- Water Filter: HAF-QIN/EXP

## Rating



ENERGY STAR® rated:  
709 kWh/yr

## Dimensions

### Product Dimensions & Weight

Dimensions (WxHxD with hinges, handles and doors):  
35<sup>7</sup>/<sub>8</sub>" x 70<sup>1</sup>/<sub>4</sub>" x 29<sup>1</sup>/<sub>2</sub>"

Dimensions (WxHxD without hinges and door):  
35<sup>7</sup>/<sub>8</sub>" x 68<sup>7</sup>/<sub>8</sub>" x 25"

Dimensions (WxHxD with hinge and door, no handle):  
35<sup>7</sup>/<sub>8</sub>" x 70<sup>1</sup>/<sub>4</sub>" x 27<sup>1</sup>/<sub>4</sub>"

Weight: 291 lbs

### Shipping Dimensions & Weight

Dimensions: 37<sup>5</sup>/<sub>7</sub>" x 75<sup>5</sup>/<sub>8</sub>" x 29<sup>9</sup>/<sub>16</sub>"

Weight: 300 lbs

## Warranty

One (1) Year Parts and Labor on Refrigerator.  
Ten (10) Years Parts on Digital Inverter Compressor

\*Compressor, evaporator, condenser, drier and connecting tubing.

## UPC

Color	Model #	UPC Code
Fingerprint Resistant Stainless Steel	RF70H25HER	198957277832

# RF70H25HER

# SAMSUNG

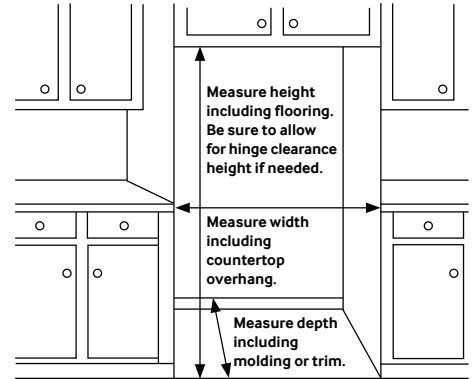
## Bespoke AI 24 cu. ft. Counter Depth 3-Door French Door Refrigerator with Zero Clearance Fit & Dual Auto Ice Maker in Stainless Steel

### Installation Specifications

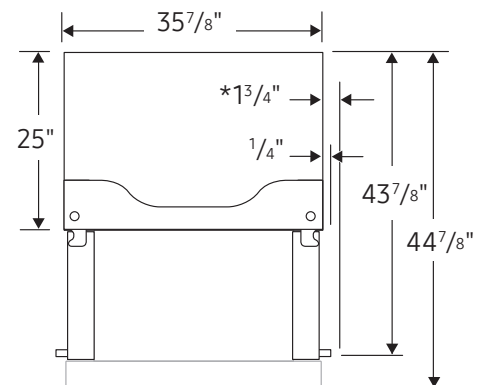
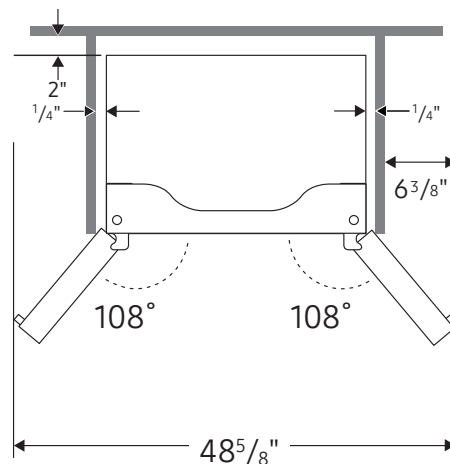
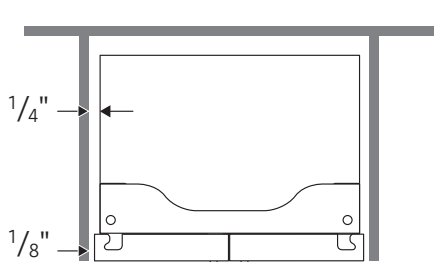
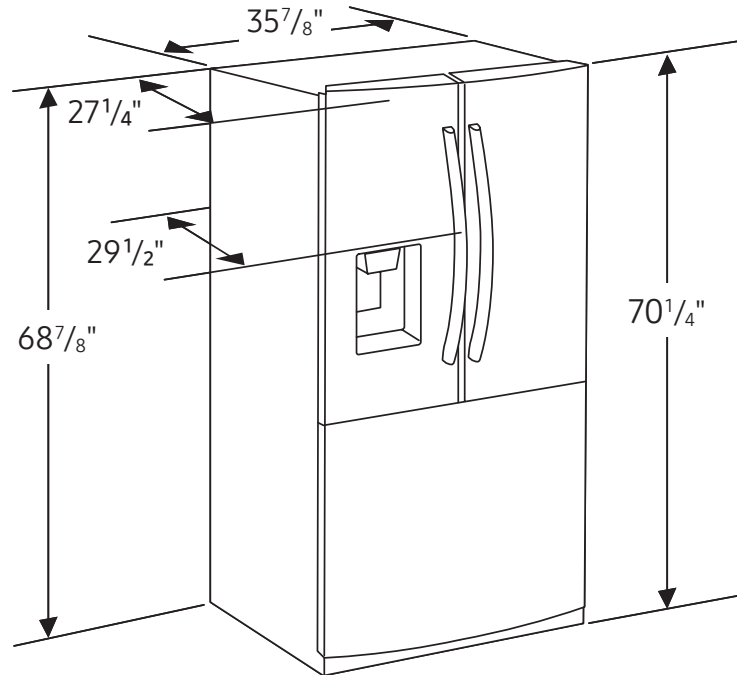
1. Measure the height, width and depth of the opening, making sure to include baseboards, molding tile, countertop overhang, etc. Check to be sure there is enough room to open the door (consider walls, islands or other obstacles when measuring).
2. Refer to illustrations below to determine dimensions.
3. Allow 1/8" (4mm) of clearance on hinge side of refrigerator when installing next to a wall where handle may make contact.
4. Allow 2" minimum clearance at rear for proper air circulation and water/electrical connections. Allow a 3/8" minimum clearance at top for ease of installation.
5. Ensure each door and entryway in the home is wide enough for the refrigerator to be moved through easily.

For optimal usage and ability to open refrigerator doors completely, do not install next to a wall.

Please note: The following dimensions and cutout information is for planning purposes only. For complete installation details, consult manual packed with product or download manual online at [samsung.com](http://samsung.com).



### Dimensions



\*Allow 3<sup>3</sup>/<sub>4</sub>" of clearance to enable doors to open 90° when installed next to a wall.

