

LT18SO000S

30" Top Freezer Refrigerator

Flat Design

R: 2 Full/Glass shelf & 2 Drawer

F: 1 Full/Glass shelf

Garage Ready

AVAILABLE COLORS

Smudge Resistant Stainless Steel

CAPACITY

Refrigerator (cu.ft.)	13.3
Freezer (cu.ft.)	4.7
Total (cu.ft.)	18

CONTROL AND DISPLAY

Express Freeze	No
Door alarm	No

MATERIAL AND FINISH

Finish (Door)	Stainless Steel
Handle Type	Horizontal Pocket
Fingerprint & Smudge Resistant Exterior	Yes

ICE & WATER SYSTEM

Water Only Dispenser	No
Automatic Ice Maker	No
Daily Ice Production (lb.)	N/A
Ice Storage Capacity (lb.)	N/A
Ice Maker_Manual	No

FEATURES

Door Cooling+	No
Door-in-Door	No
Sabbath Mode	No
Auto Closing Door Hinge	No

PERFORMANCE

Energy Consumption (kWh/year)	366
Compressor Type	Smart Inverter Compressor (BLDC)

SMART TECHNOLOGY

ThinQ (Wi-Fi)	No
Smart Learner Ver.	No
Smart Diagnosis	No
Proactive Customer Care	No

REFRIGERATOR COMPARTMENT

Refrigerator Light	Top LED
Shelf_Tempered Glass	2
Door Basket_Transparent	6
Vegetable Box	Yes (2)

FREEZER COMPARTMENT

Shelf Tempered Glass	1
Door Type	Side Swing

DIMENSIONS/CLEARANCES/WEIGHTS

Product Weight (lb.)	162.8
Gross Weight (lb.)	171.6
Height to Top of Hinge or Door Cap Deco (inch)	66 1/8"
Height to Top of Case (inch)	64 1/4"
Depth without door (inch)	26 3/4"
Depth without handle (inch)	30 1/8"
Depth with handle (inch)	30 1/8"
Total Depth with Door 90 Open (inch)	57 5/8"
Width door open 90 with Handle (inch)	30 7/8"
Width door open 90 without Handle (inch)	30 7/8"



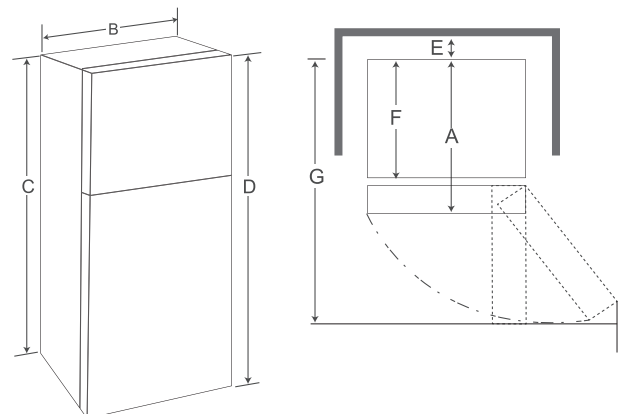
Product Dimension (WxHxD, inch)	29 3/4" x 66 1/8" x 30 1/8"
Packing Dimension (WxHxD, inch)	30 1/4" x 68 5/8" x 31 7/8"
Installation Clearance	Back 2"

LIMITED WARRANTY

Parts & Labor	1 Year
Sealed System (Parts & Labor)	7 Years
Linear Inverter Compressor (Parts Only)	10 Years

UPC

LT18SO000S(Stainless Steel)	195174137178
-----------------------------	--------------



- DIMENSIONS/CLEARANCES

A	Depth without Handle	30 1/8"
B	Width	29 3/4"
C	Height to Top of Case	64 1/4"
D	Height to Top of Hinge	66 1/8"
E	Back Clearance	2"
F	Depth without Door	26 3/4"
G	Depth (total with Door Open 90°)	57 5/8"