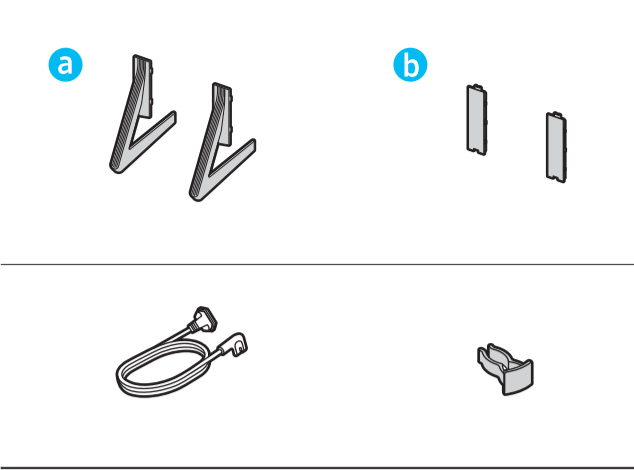
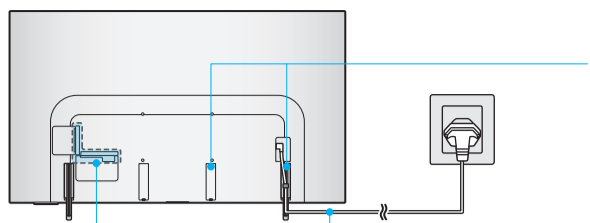


SAMSUNG



Unpacking and Installation Guide
Guide de déballage et d'installation
Guía de desembalaje e instalación
Manual de desempacotamento e instalação
Auspacken und Installationsanleitung
Guida al disimballaggio e all'installazione
Руководство по распаковке и установке
Қаптамадан шығару және орнату нұсқаулығы
Посібник з розпаковки та встановлення
Qadoqdan chiqarish va o'rnatish qo'llanmasi



USB	USB ↔	OPTICAL		
ARC	HDMI (eARC)		LAN	
	HDMI		ANT	

1

55"

65"

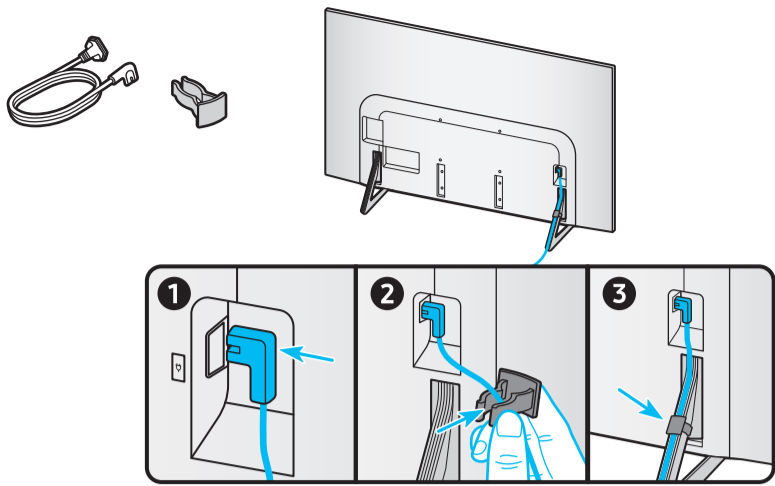
2

3

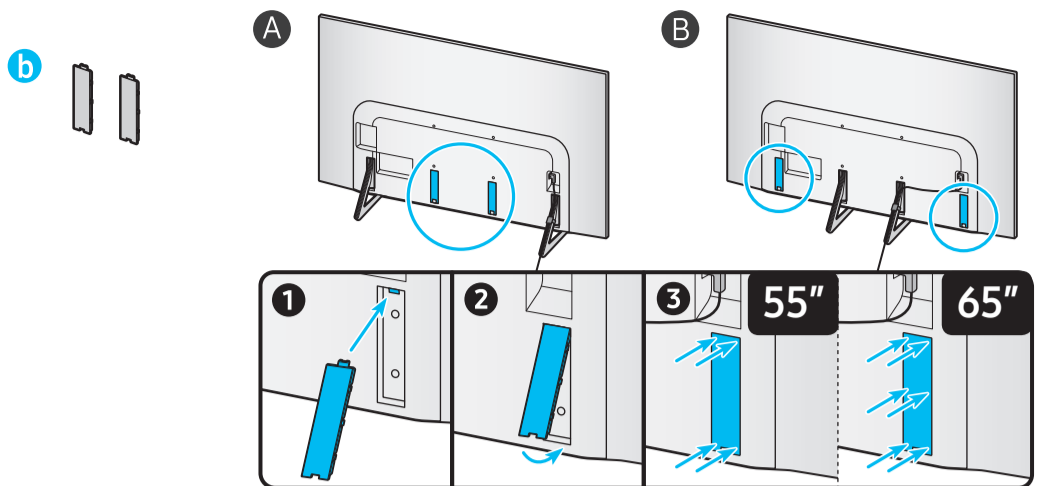
4



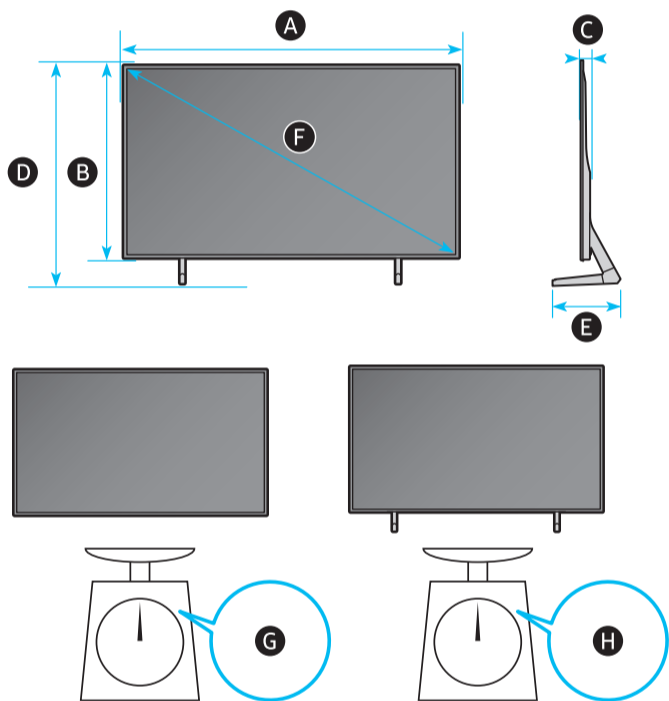
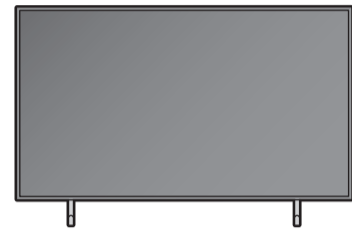
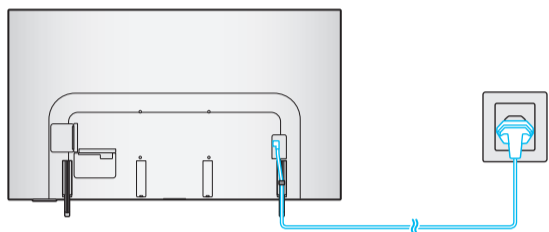
5



6

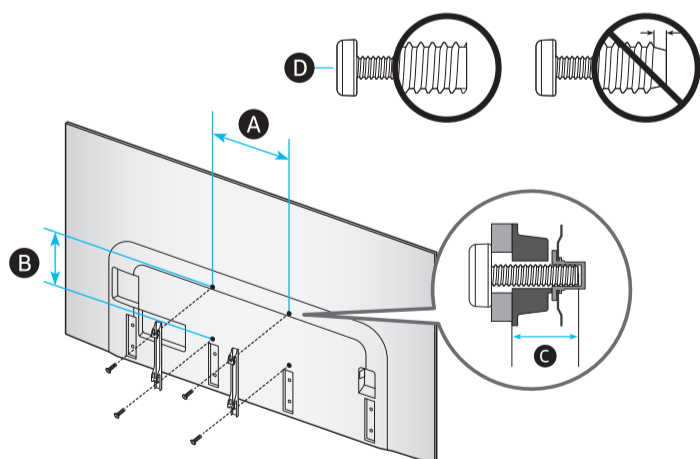


7



	A	B	C	D	E	F	G	H
55S8*H 55SH8*	48.3 inches (1225.7 mm) (122.57 cm)	27.8 inches (705.6 mm) (70.56 cm)	1.3 inches (33.9 mm) (3.39 cm)	30.1 inches (764.4 mm) (76.44 cm)	9.3 inches (235.3 mm) (23.53 cm)	54.6 inches (138 cm) (138 cm)	28.7 lbs (13.0 kg) (13,0 кг)	29.5 lbs (13.4 kg) (13,4 кг)
65S8*H 65SH8*	57.0 inches (1446.6 mm) (144.66 cm)	32.7 inches (829.7 mm) (82.97 cm)	1.3 inches (33.9 mm) (3.39 cm)	35.3 inches (897.8 mm) (89.78 cm)	10.4 inches (263.3 mm) (26.33 cm)	64.5 inches (163 cm) (163 cm)	38.4 lbs (17.4 kg) (17,4 кг)	39.2 lbs (17.8 kg) (17,8 кг)

*: 0-9, A-Z



	VESA A x B (mm) VESA A x B (MM)	C (mm) C (MM)	D x 4
55S8*H 55SH8*	300 x 200	19-21	M8
65S8*H 65SH8*	300 x 200	19-21	M8

*: 0-9, A-Z