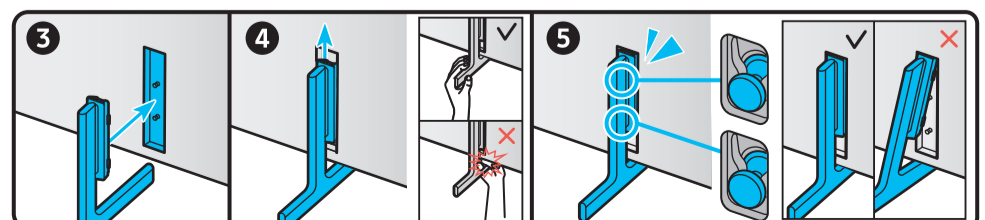
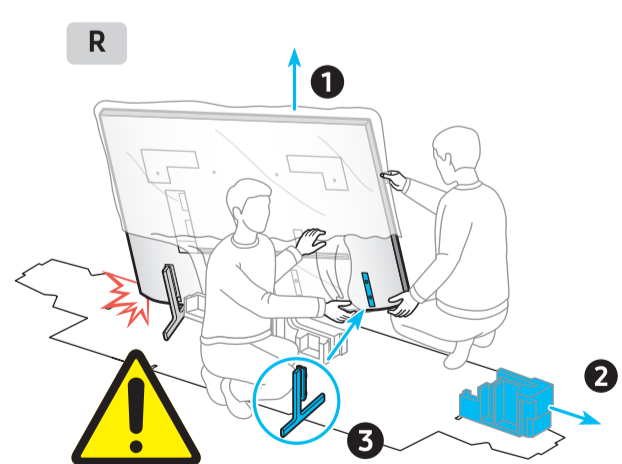
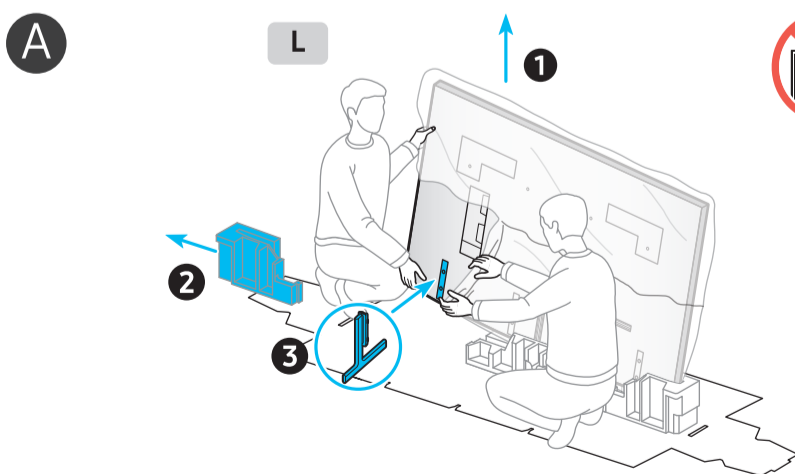
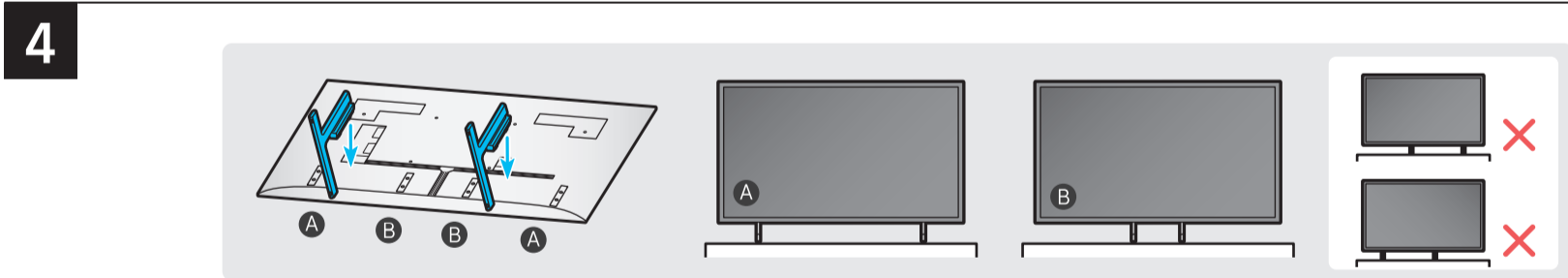
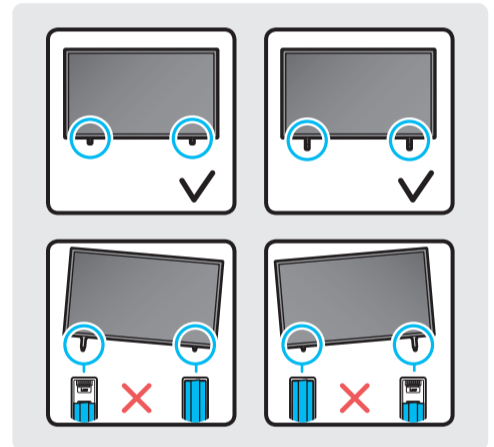
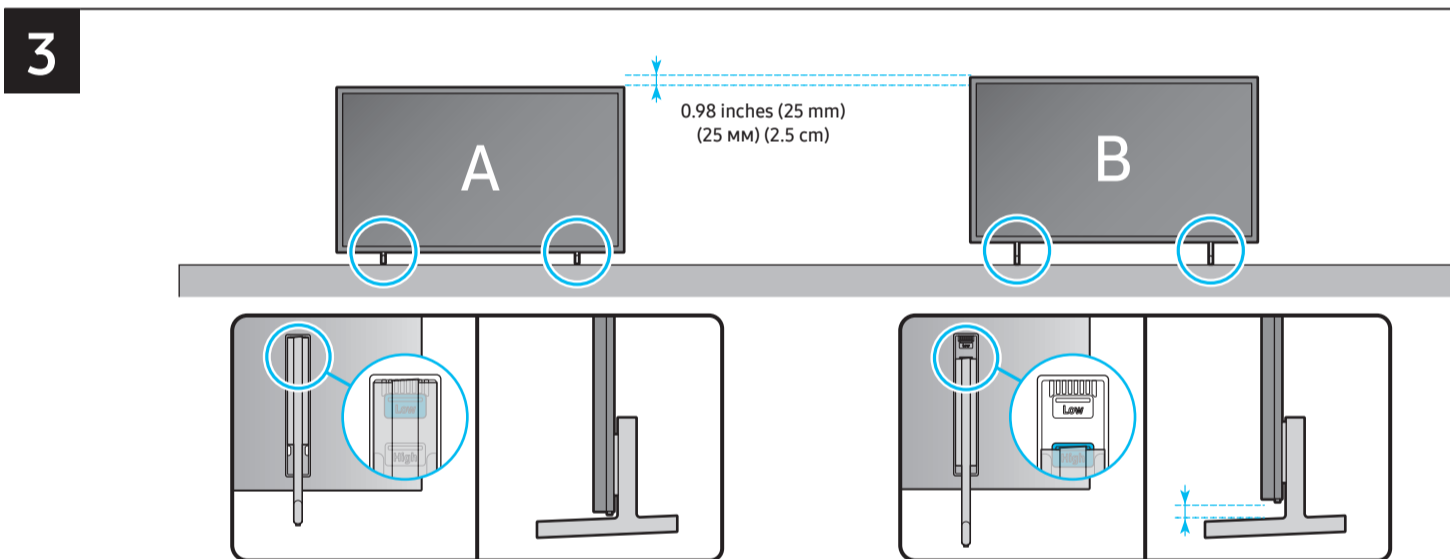
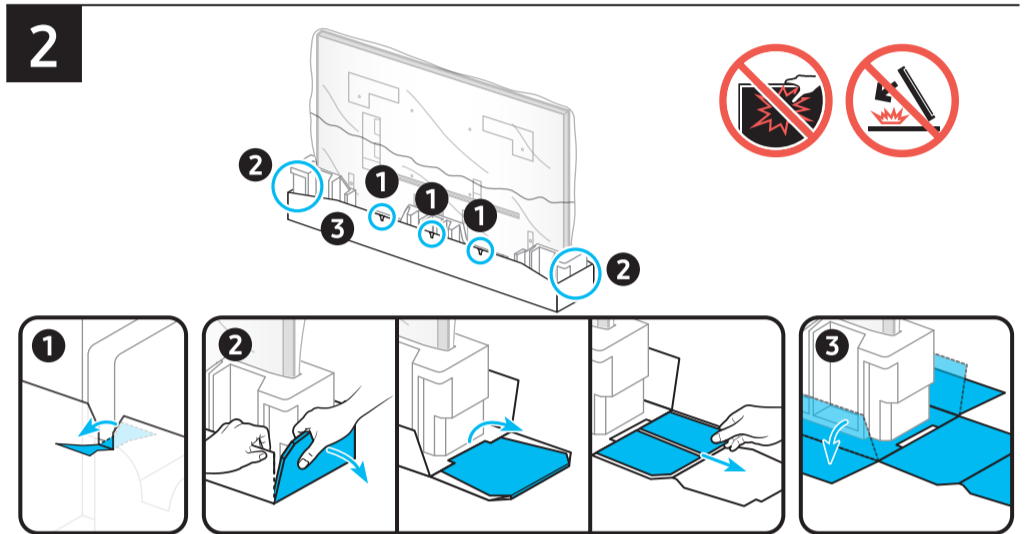
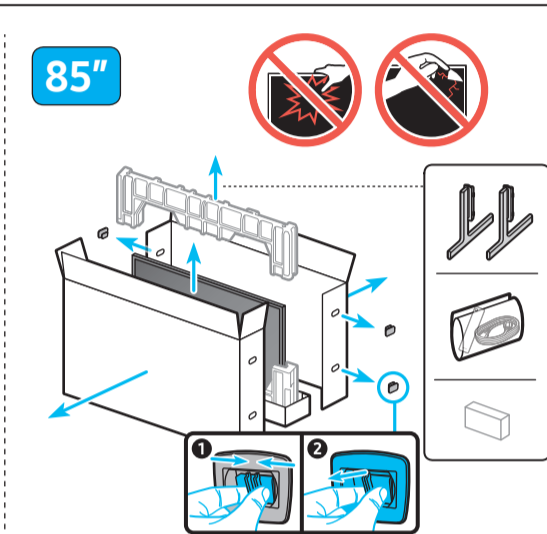
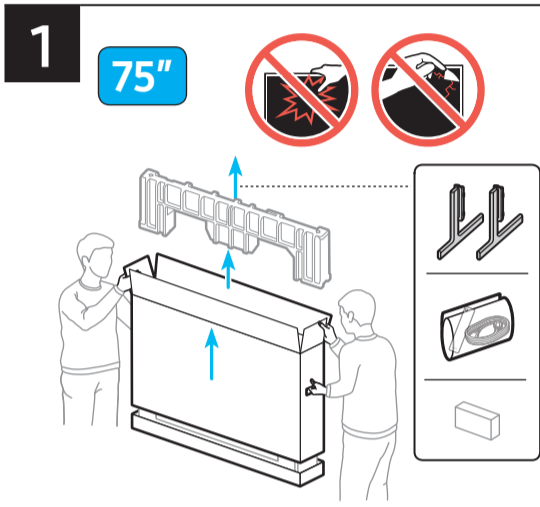
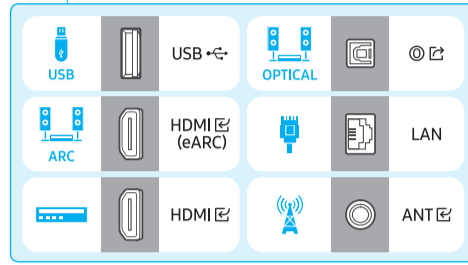
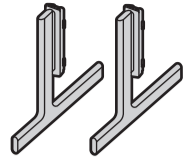
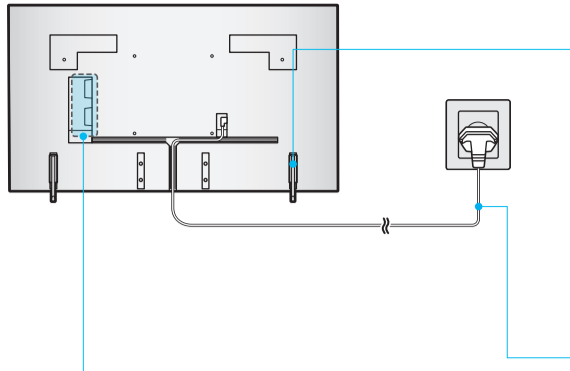


SAMSUNG

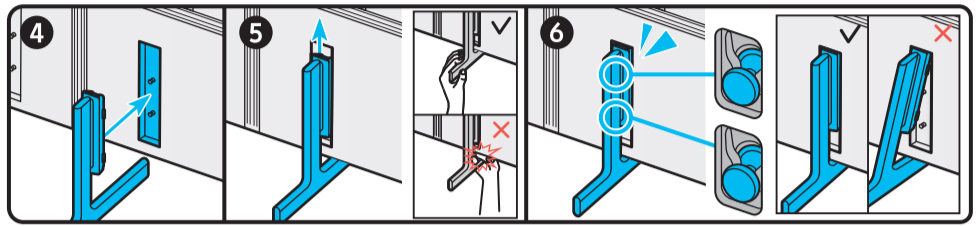
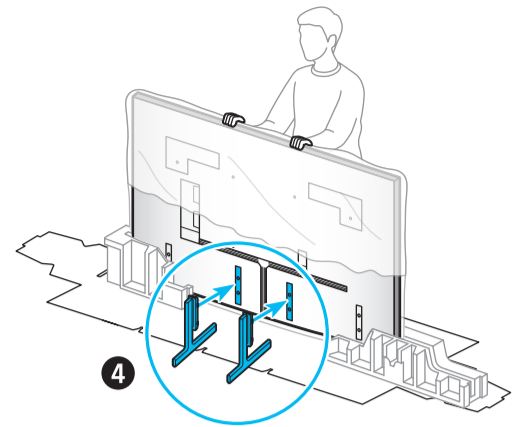
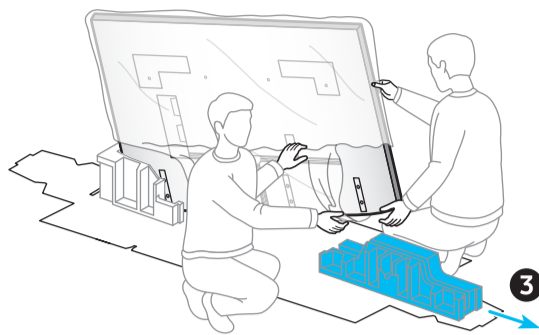
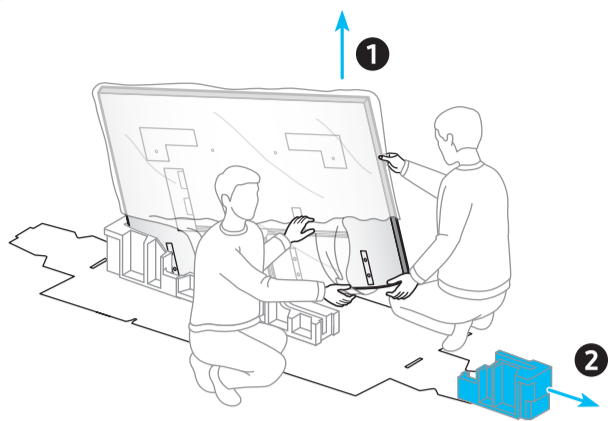


Unpacking and Installation Guide
 Guide de déballage et d'installation
 Guía de desembalaje e instalación
 Manual de desempacotamento e instalação
 Auspacken und Installationsanleitung
 Guida al disimballaggio e all'installazione
 Руководство по распаковке и установке
 Қаптамадан шығару және орнату нұсқаулығы
 Посібник з розпаковки та встановлення
 Qadoqdan chiqarish va o'rnatish qo'llanmasi

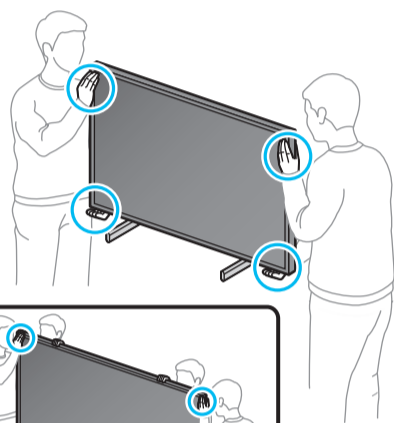


4

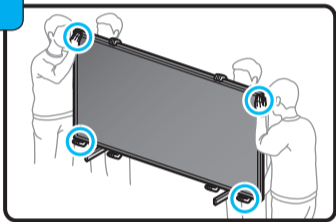
B



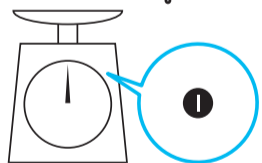
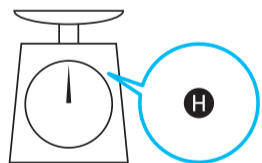
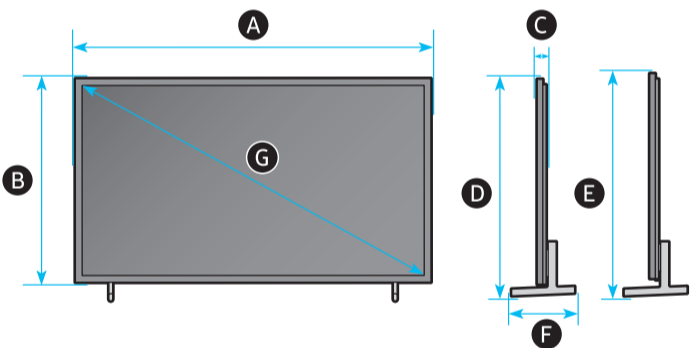
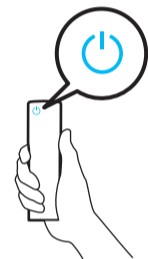
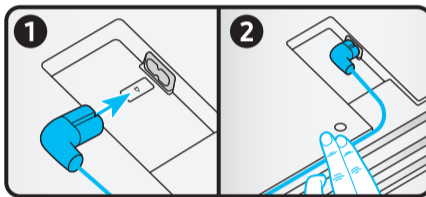
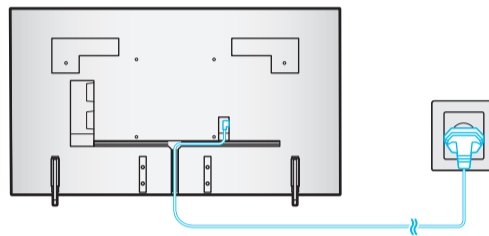
5



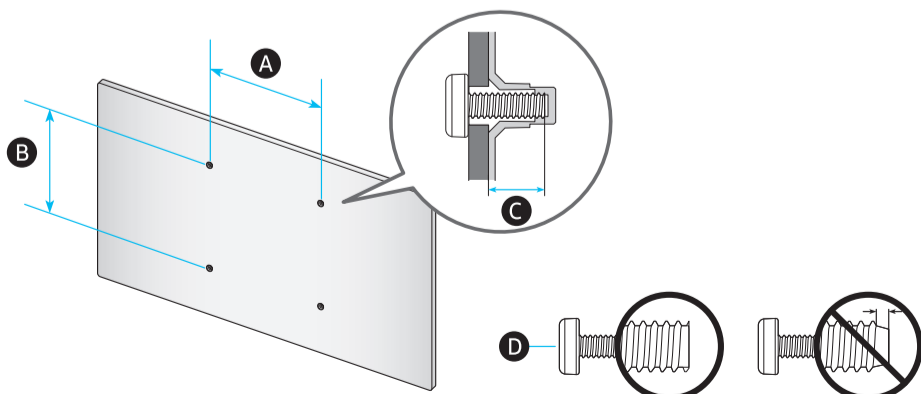
85"



6



	A	B	C	D	E	F	G	H	I
75LS03HE 75LSH03E	66.2 inches (1682.3 mm) (168.23 cm)	37.8 inches (960.4 mm) (96.04 cm)	1.2 inches (29.5 mm) (2.95 cm)	39.3 inches (998.6 mm) (99.86 cm)	40.3 inches (1023.6 mm) (102.36 cm)	12.6 inches (319.8 mm) (31.98 cm)	74.5 inches (189 cm) (189 cm)	65.7 lbs (29.8 kg) (29,8 kr)	66.8 lbs (30.3 kg) (30,3 kr)
85LS03HE 85LSH03E	75.0 inches (1904.3 mm) (190.43 cm)	42.7 inches (1085.3 mm) (108.53 cm)	1.2 inches (29.5 mm) (2.95 cm)	44.5 inches (1129.5 mm) (112.95 cm)	45.5 inches (1154.5 mm) (115.45 cm)	14.5 inches (369.0 mm) (36.90 cm)	84.5 inches (214 cm) (214 cm)	90.4 lbs (41.0 kg) (41,0 kr)	92.2 lbs (41.8 kg) (41,8 kr)



	VESA A x B (mm) VESA A x B (mm)	C (mm) C (mm)	D x 4
75LS03HE 75LSH03E	400 x 400	13-15	M8
85LS03HE 85LSH03E	600 x 400	13-15	M8