



FRIGIDAIRE

Factory Parts Catalog

Product No.	GCCI3070BM
Base Model	GCCI3070B
Color	stainless
Market	North America
Wiring Diagram	A20492001
Owner's Guide	A01704209
Installation Instructions	A01705205
Service Data Sheet	A00498611
Quick Start Guide	A23490714

Frigidaire

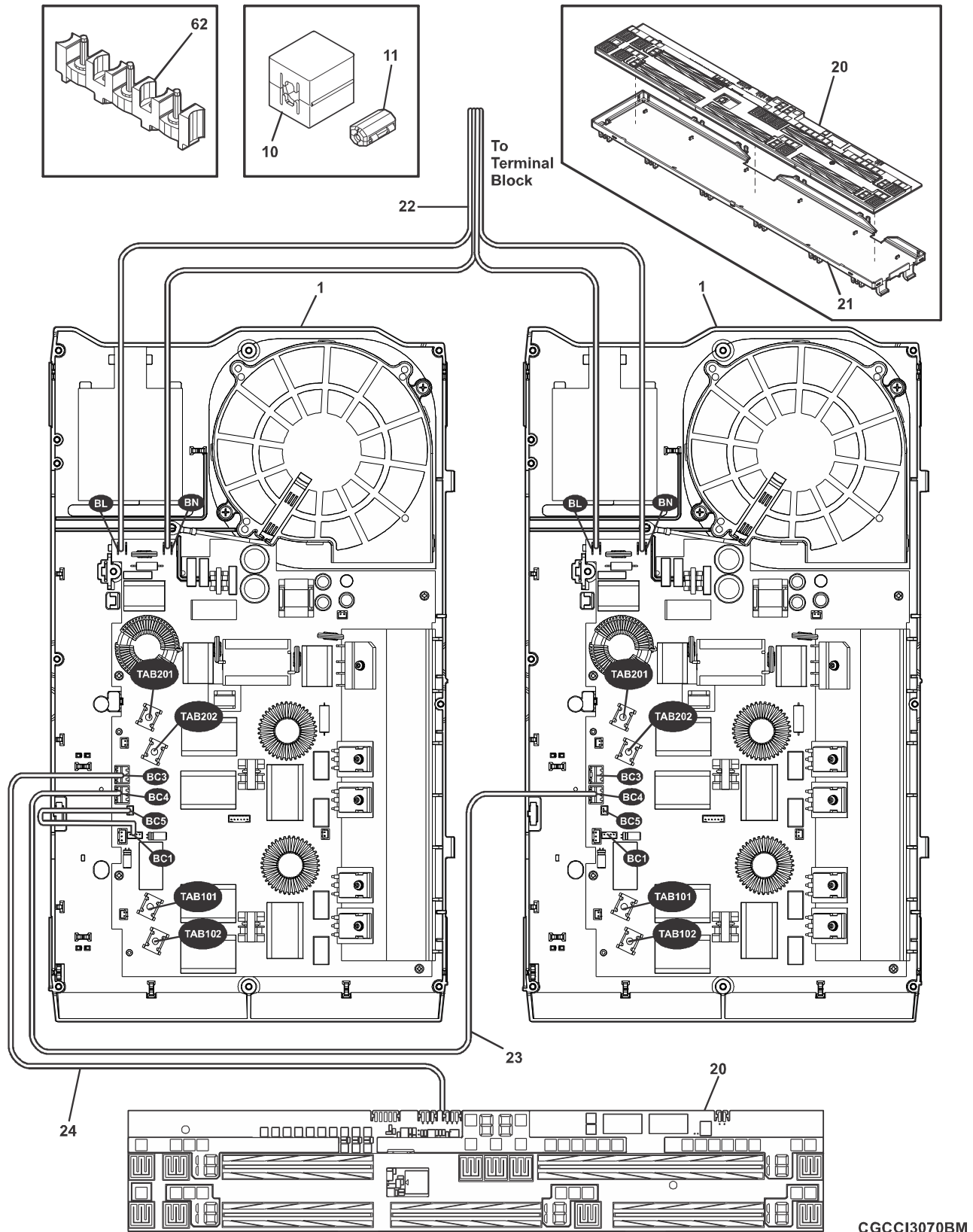
P.O. BOX 8020
CHARLOTTE, NC 28262

Publication No.
5995749909
26/03/17
(EN/SERVICE/)
377

INDUCTION COOK-TOP RANGE

Model No.
GCCI3070B

CONTROL PANEL

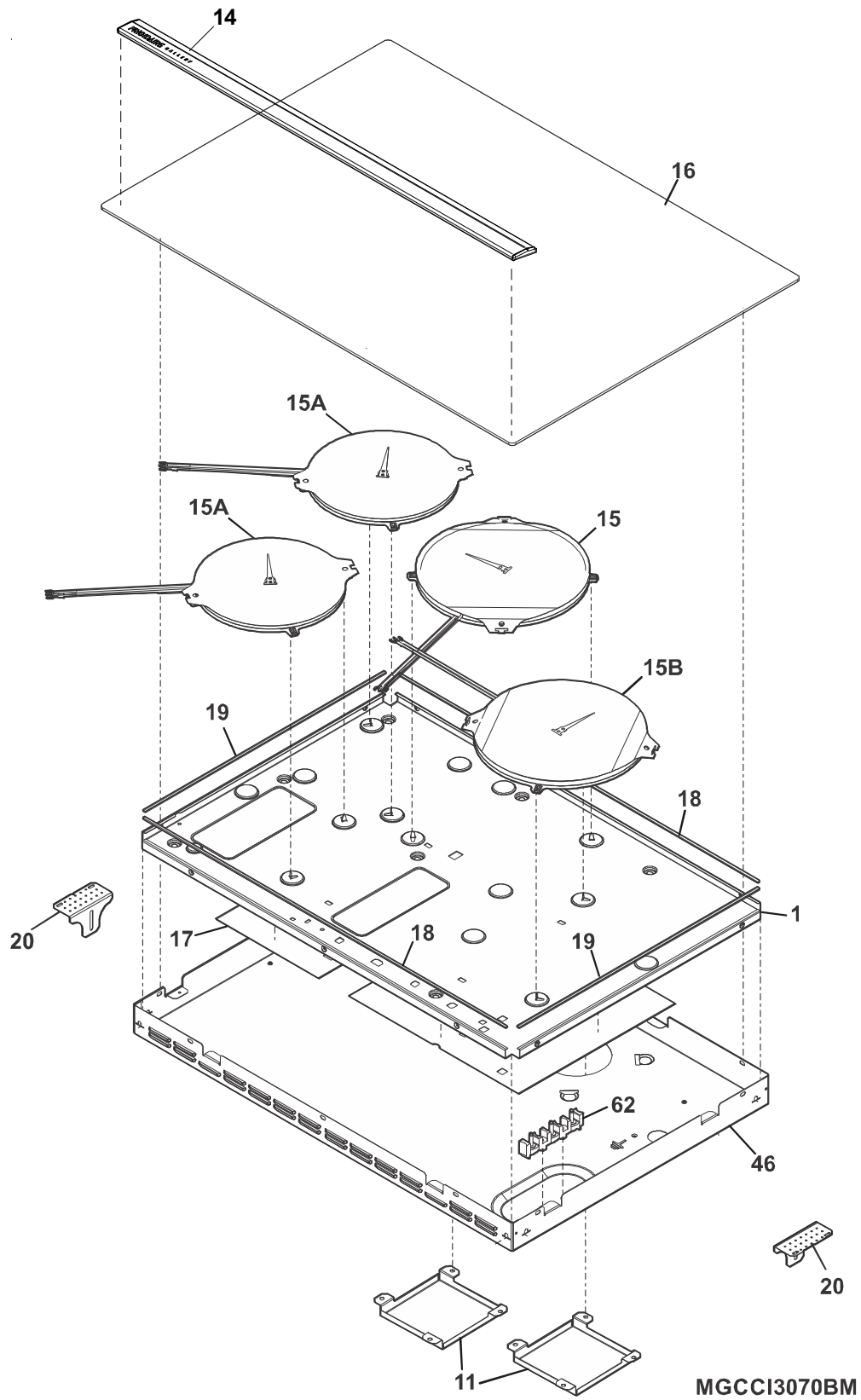


CGCC13070BM

CONTROL PANEL

POS. NO	PART NO.	DESCRIPTION
1#	140115392619	Generator Board, RH
10 #	5304506076	Filter, ferrite choke
11 #	5304514339	Filter, ferrite choke
20#	561940471	User Interface, control, assembly
21	561630814	Carrier, user interface
22 #	5304527613	Harness, wiring, main
23 #	318578332	Harness, wiring, communication, generators
24 #	5304531647	Harness, wiring, communication, UI to generator
62 #	5304535277	Terminal Block
62*	305309608	Screw, M4
62*	305376201	Nut, terminal block, (2)
62*	305452800	Screw, ground
*	305309704	Screw, ST, 4.2 : 12, (9)
*	330447900	Screw, B4, 2 x 9, 5
* #	5304527611	Filter Assy, grounding, w/toroid
* #	5304527623	Harness Assembly, EMC FILTER, w/capacitors

MAIN TOP/SURFACE UNITS

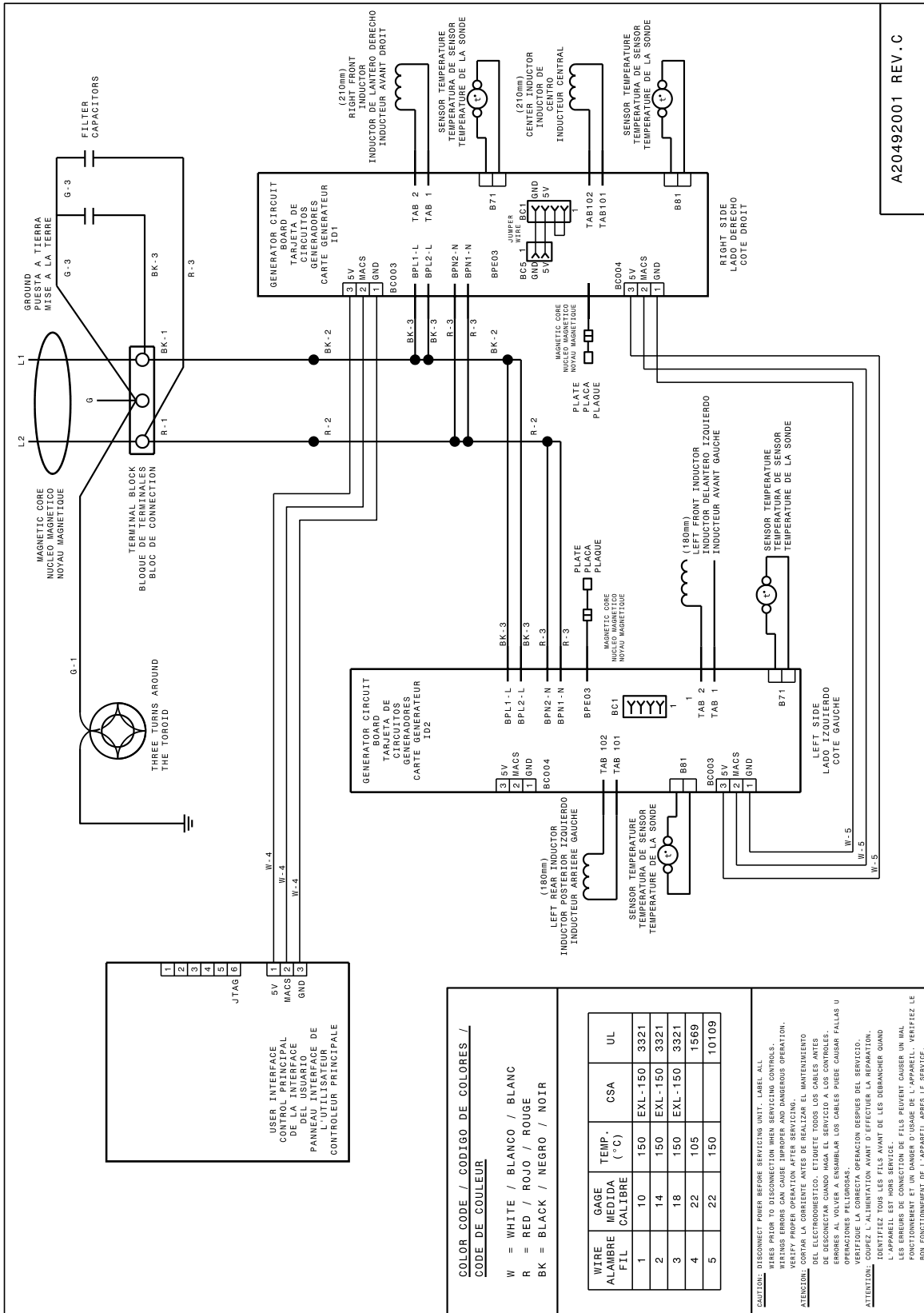


MGCCI3070BM

MAIN TOP/SURFACE UNITS

POS. NO	PART NO.	DESCRIPTION
1	5304531649	Carrier, induction coils
11	5304527609	Cover, fan
14	5304531654	Trim Assembly, front, stainless, w/tape
15 #	357227574	Element, induction coil, 210 mm
15A#	357226372	Element, induction coil, 180 mm
15B#	357249669	Element, induction coil, 210MM
16	140211996107	Maintop, assembly, black
17	5304531648	Insulation, mica sheet
18	5304531770	Tape, maintop, 30"
19	5304531771	Tape, maintop, sides
20	5304527624	Bracket, installation, granite counter
46	140265068019	Outer box, 30"
62 #	5304535277	Terminal Block
62*	305309608	Screw, M4
62*	305376201	Nut, terminal block, (2)
62*	305452800	Screw, ground
*	305309704	Screw, ST, 4.2 : 12, (9)
*	330447900	Screw, B4, 2 x 9, 5
*	140173652037	Box Cable
*	140210818021	Cover, box cable
*	8587320115205	Screw, 8-18x5

WIRING DIAGRAM



A20492001 REV.C

USER INTERFACE
CONTROL PRINCIPAL
DE LA INTERFACE
DEL USUARIO
PANEL L'UTILISATEUR
CONTROLEUR PRINCIPALE

JTAG 6

5V
MAGS
GND

**COLOR CODE / CODIGO DE COLORES /
CODE DE COULEUR**

W = WHITE / BLANCO / BLANC
R = RED / ROJO / ROUGE
BK = BLACK / NEGRO / NOIR

WIRE ALAMBRE FIL	GAGE MEDIDA CALIBRE	TEMP. (°C)	CSA	UL
1	10	150	EXL-150	3321
2	14	150	EXL-150	3321
3	18	150	EXL-150	3321
4	22	105		1569
5	22	150		10109

CAUTION: DISCONNECT POWER BEFORE SERVICING UNIT. LABEL ALL WIRING PRIOR TO DISCONNECTION WHEN SERVICING CONTROLS. WIRING ERRORS CAN CAUSE IMPROPER AND DANGEROUS OPERATION. VERIFY PROPER OPERATION AFTER SERVICING.

ATTENTION: CORTAR LA CORRIENTE ANTES DE REALIZAR EL MANTENIMIENTO DEL ELECTRODOMESTICO. ETIQUETE TODOS LOS CABLES ANTES DE DESCONEXIONARLOS PARA EVITAR ERRORES AL VOLVER A ENSAMBLAR LOS CABLES PUEDE CAUSAR FALLOS U OPERACIONES PELIGROSAS.

ATTENTION: COUPEZ L'ALIMENTATION AVANT D'EFFECTUER LA REPARATION. IDENTIFIEZ TOUS LES FILS AVANT DE LES DEBRANCHER QUAND LE DISPOSITIF EST EN FONCTIONNEMENT. LES ERREURS DE CONNEXION DE FILS PEUVENT CAUSER UN MAL FONCTIONNEMENT ET UN DANGER D'USAGE DE L'APPAREIL. VERIFIEZ LE BON FONCTIONNEMENT DE L'APPAREIL APRES LE SERVICE.