

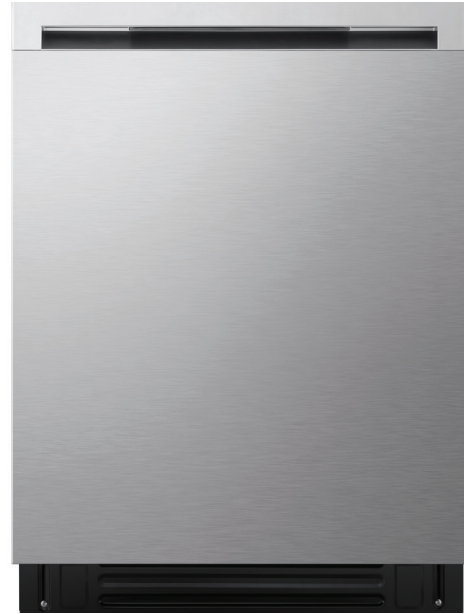
## LG FlushFit™ Dishwasher | 46 dB, QuadWash® Pro, AutoVentDry™, 3rd Rack, Floor Status Indicator, Top Control, Stainless

FlushFit™ Design  
SenseClean Wash System  
QuadWash® Pro  
Pocket Handle Design  
LoDecibel™ Operation (46dB)

### AVAILABLE COLORS



SMUDGE RESISTANT STAINLESS STEEL



## ThinQ Care

### Proactive Smart Alerts to Keep Your Appliances Running Smoothly

- Preventative Alerts help you stay a step ahead of potential issues to find proactive solutions before problems arise.
- Avoid preventable repairs and service calls with real-time diagnostics for a hassle-free experience.
- Integrated within LG's ThinQ app—a smart home hub for managing your smart devices and appliances.

### BASIC SPECS

Control Panel(Material)	ABS(Mirror Coat)
Display Type	LED
Handle Type	Pocket Handle
Panel Type	Top Control
Total Place Settings	16

### APPEARANCE

Child-Lock Indicator	No
Fingerprint Resistant	Yes
Rinse Refill Indicator	Yes
Salt Refill Indicator	No
Signalight™ Cycle Indicator Lights	No
Status Indicators	Mood Light
Temperature Display	No
Time Remaining Indicator	No
Tub Light(Tub Lamp)	No
Tub Material	NeveRust™ Stainless Steel
CycleTrack™	No
Sliding 3rd Rack	No

### RACK FEATURES

Cutlery Baskets	Yes
EasyRack™ Plus System	Yes
Gliding Type_Lower	No
Gliding Type_Upper	No
Gliding Type 3rd	No
Height Adjustable 3rd Rack	No (Fixed)
Maximum Height of Lower Rack (in)	12 1/2
Maximum Height of Upper Rack (in)	9 5/16
BlastZone™	No

### CYCLE OPTION

Number of Wash Cycles (Program)	5
Auto	Yes
Heavy	Yes
Intensive	No
Delicate	No
Refresh	No
Eco	No
Normal	Yes
Turbo	Yes

Download Cycle	Yes
Express	No
Rinse	No
1 Hour	No
Number of Options	6
Dual Zone	No
Half Load	No
Energy Saver	No
Steam	Yes
High Temp.	Yes
Extra Dry	Yes
Delay Start	Yes
Control Lock	Yes
Cancel	Yes
DryBoost	No
Machine Clean	No
Tub Clean	Steam Clean

### ThinQ® SMART FEATURES

NFC	No
Proactive Customer Care	No
Remote Control	Yes
Remote Monitoring	Yes
Smart Diagnosis	Yes
ThinQ(Wi-Fi)	Yes

### ENERGY / WATER PERFORMANCE

CEE Tier Level	1
Energy Star	Yes
Energy Use (kWh/Year)	220
Water Use (Gallons/Cycle)	2.9

### KEY FEATURES

Aqua-Stop	No
Detergent and Rinse-Aid Dispenser	Yes
DirectDrive Motor™	No
Drying System	Auto Open Dry
Hidden Water Heater	Yes
Inverter Direct Drive Motor	Yes
LoDecibel Quiet Operation (dBA)	46
Number of Spray Arms	3
QuadWash™	QuadWash Pro

Safety Float Switch (Leaks)	Yes
SenseClean Wash System	Yes
Soil (Turbidity) Sensor	Yes
TrueSteam™	No
Vario Washing System	Yes
Water Softner	No

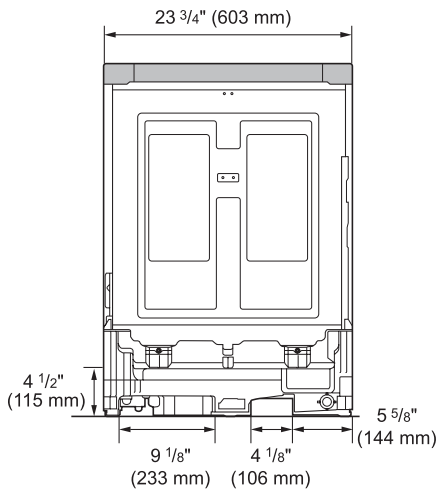
DIMENSIONS / CLEARANCES / WEIGHT	
Packing Dimensions - WxHxD (in)	28 1/32 x 34 7/8 x 29 5/8
Packing Weight (lbs)	88.2
Product Dimensions - WxHxD (in)	23 3/4 x 33 5/8 x 23 3/4
Product Weight (lbs)	75

LIMITED WARRANTY	
Labor & Parts	1 Year
Control Board and Rack Parts	Control Board and Rack Parts 2 Years Stainless Tub and Door Liner 2 Years
Direct Drive Motor	10 Years

UPC CODES	
LDNPQ445S (Smudge Resistant Stainless Steel)	048231349192

## DIMENSIONS AND CLEARANCES

BACK VIEW



FRONT VIEW

