

CBIH3617BE

36" Induction Cooktop with 5.0kW Power Element and SmoothTouch® Controls

KEY FEATURES

- 5 Induction Elements
- 5.0kW Power Element
- Simmer Keys
- Power Boost
- Bridge Element
- Cookware Compatibility Indicator
- E-Star® Certified

AVAILABLE COLORS



BLACK



SMART APPLIANCE

Proactive Smart Alerts to Keep Your Appliances Running Smoothly

ThinQ Care

- Preventative Alerts help you stay a step ahead of potential issues to find proactive solutions before problems arise.
- Avoid preventable repairs and service calls with real-time diagnostics for a hassle-free experience.
- Integrated within LG's ThinQ app—a smart home hub for managing your smart devices and appliances.

PRODUCT FEATURES

BASIC SPEC

Brand	LG
Fuel Type	Electric
Cooktop Type	Induction
Outcase Color	Black
COOKTOP FEATURES	
Cooktop Type	Induction
Fuel Type	Electric
EasyClean Cooktop	No
Number of Cooktop Elements/Burners	5
Heater - Total (W)	10600
Induction Heater - Left Front (W)(Turbo, inch)	1850(3700, 8 1/2x7 1/4)
Induction Heater - Left Rear (W)(Turbo, inch)	1850(3700, 8 1/2x7 1/4)
Induction Heater - Right Front (W)(Turbo, inch)	1800(2800,7)
Induction Heater - Right Rear (W)(Turbo, inch)	1400(1800,6)
Induction Heater - Center Middle (W)(Turbo, inch)	3700(5000, 11 1/8), 1850(3500, 7 1/16)
Safety Function(Cooktop)	Yes
Hot Surface Indicator	Yes
Induction Heater - Left Flex (W)(Turbo, inch)	3300(3700, 8 1/2 x 14 9/16)
Inverter	Half-Bridge

ThinQ® SMART FEATURES

ThinQ(Wi-Fi)	Yes
NFC Tag On	No
Works with	LG ThinQ
Voice Control (3rd Party Device)	No
Smart Recipe (3rd Party Recipe App)	No

POWER RATINGS

Amp Rating at 208V (A)	41.7
Amp Rating at 240V (A)	44.2
Watt Rating at 208V (W)	8670
Watt Rating at 240V (W)	10600
Required Power Supply (V/Hz)	208V / 60Hz, 240V / 60Hz

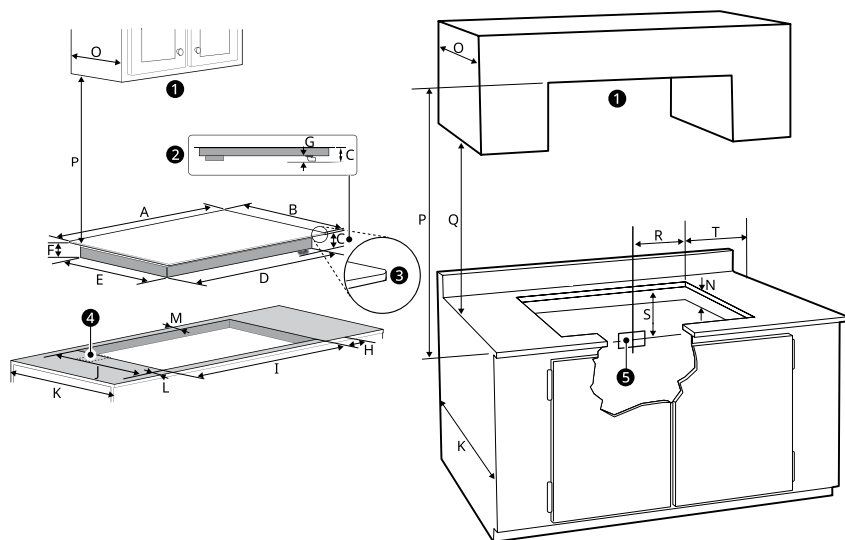
CONVENIENCE FEATURES

Control Lock	Yes (Cooktop)
Timed Cook	No
ADA Compliant	Yes
Simmer	Yes (3 Level)

Pause	Yes
Kitchen Timer	Yes
Cookware Heating Index	Yes
DESIGN / FINISH	
Cooktop Glass	Ceramic glass
Cooktop Control Type	Key Membrane
Control Display	LED
DIMENSIONS / CLEARANCES / WEIGHT	
Product Weight (lb.)	48.68
Shipping Weight (lb.)	55.69
Size in Width (inch)	36
Product Dimensions (W x H x D)(inch)	36 5/8 x 4 1/8 x 21 1/16
Cut-out Dimensions_Min (W x H x D)(inch)	33 7/8 x 5 7/8 x 19 1/8
Packing Dimensions (W x H x D)(inch)	39 9/16 x 5 7/16 x 24 5/16
LIMITED WARRANTY	
Labor & Parts	1 Year
UPC CODES	
CBIH3617BE	048231347587

CBIH3617BE

DIMENSION / CLEARANCES



DIMENSIONS / CLEARANCES / WEIGHT

A	Width of upper plate	36 5/8" (930 mm)
B	Depth of upper plate	21 1/16" (534 mm)
C	Distance from bottom of upper plate to bottom of conduit	3 9/16" (90 mm)
D	Width of cooktop base	33 1/2" (851 mm)
E	Depth of cooktop base	18 13/16" (477 mm)
F	Distance from bottom of upper plate to bottom of cooktop base	2 7/16" (61 mm)
G	Height of conduit	1 1/8" (29 mm)
H	Distance from side edge of cutout to side of counter	1 1/8" (28 mm)
I	Width of cutout	33 7/8" (860 mm) 33 15/16" (863 mm)
J	Depth of cutout	19 1/8" (486 mm) 19 3/16" (488 mm)
K	Depth of bottom cabinets	23 3/8" (593 mm)
L	Distance from front of counter to front edge of cutout	2 3/16" (55 mm)
M	Distance from rear edge of cutout to nearest combustible surface	2 1/16" (52 mm)
N	Height below cutout (Empty space is needed underneath the cooktop for optimum performance.)	5 3/4" (146 mm)
O	Depth of overhead cabinets	13" (330 mm)
P	Clearance from top of cooking surface to bottom of overhead cabinets	36" (914 mm)
Q	Clearance from countertop to bottom of adjacent cabinets	18" (457 mm)
R	Junction box (approximate location)	12" (305 mm)
S	Junction box (approximate location)	10" (254 mm)
T	Distance from edge of cooktop to nearest combustible wall (either side of unit)	2" (50 mm)

INSTALLATION NOTES

- All electric cooktops run off a single phase, three-wire or four-wire cable, 240/208 volt, 60 hertz, AC-only electrical supply with ground.
- Minimum distance between cooktop and overhead cabinetry is 30" (762 mm) for a 30" cooktop and 36" (914 mm) for a 36" cooktop.
- Make sure the cabinets and wall coverings around the cooktop can withstand the temperatures (up to 93°C [200 °F]) generated by the cooktop.