



Scan to see the online manual.



OWNER'S MANUAL

MICROWAVE OVEN

Read this owner's manual thoroughly before operating the appliance and keep it handy for reference at all times.

ENGLISH

MVEM182**



MFL37074012
Rev.07_011326

www.lg.com

Copyright © 2022-2026 LG Electronics. All Rights Reserved

2

TABLE OF CONTENTS

3 IMPORTANT SAFETY INSTRUCTIONS

- 3 READ ALL INSTRUCTIONS BEFORE USE
- 3 WARNING

7 INSTALLATION

- 7 Product Overview
- 7 Installation Requirements

9 OPERATION

- 9 Control Panel
- 10 Before Use
- 12 Quick Start and Stop
- 12 Manual Cooking
- 13 Cooking Mode
- 17 Cookware Guide
- 19 Cooking Guide

21 SMART FUNCTIONS

- 21 LG ThinQ Application
- 22 Smart Diagnosis™ Feature

24 MAINTENANCE

- 24 Cleaning
- 25 Replacing Parts

26 TROUBLESHOOTING

- 26 FAQs
- 28 Before Calling for Service

30 LIMITED WARRANTY

- 30 CANADA

PRECAUTIONS TO AVOID POSSIBLE EXPOSURE TO EXCESSIVE MICROWAVE ENERGY

- (a) Do not attempt to operate this oven with the door open since open-door operation can result in harmful exposure to microwave energy. It is important not to defeat or tamper with the safety interlocks.
- (b) Do not place any object between the oven front face and the door or allow soil or cleaner residue to accumulate on sealing surfaces.
- (c) Do not operate the oven if it is damaged. It is particularly important that the oven door close properly and that there is no damage to the: (1) Door (bent), (2) hinges and latches (broken or loosened), (3) door seals and sealing surfaces.
- (d) The oven should not be adjusted or repaired by anyone except properly qualified service personnel.

IMPORTANT SAFETY INSTRUCTIONS

READ ALL INSTRUCTIONS BEFORE USE

Safety Messages

Your safety and the safety of others are very important.

We have provided many important safety messages in this manual and on your appliance. Always read and follow all safety messages.



This is the safety alert symbol.

This symbol alerts you to potential hazards that can kill or injure you and others. All safety messages will follow the safety alert symbol and either the word **WARNING** or **CAUTION**.

These words mean:



WARNING

You may be killed or seriously injured if you do not follow instructions.



CAUTION

You may be injured or cause damage to the product if you do not follow instructions.

All safety messages will tell you what the potential hazard is, tell you how to reduce the chance of injury, and tell you what may happen if the instructions are not followed.

WARNING

WARNING

- To reduce the risk of explosion, fire, death, electric shock, injury or scalding to persons when using this product, follow basic precautions, including the following:

Technical Safety

- This appliance is not intended for use by persons (including children) with reduced physical, sensory or mental capabilities, or lack of experience and knowledge, unless they have been given supervision or instruction concerning use of the appliance by a person responsible for their safety. Children should be supervised to ensure that they do not play with the appliance.
- To reduce the risk of burns, electric shock, fire, injury to persons, or exposure to excessive microwave energy, read all instructions before using the appliance.
- Children must not be allowed to play with accessories or hang down from the door or any part of the oven. Doing so can cause serious injury and damage. As with any appliance, close supervision is necessary when used by children.
- Read and follow the specific **PRECAUTIONS TO AVOID POSSIBLE EXPOSURE TO EXCESSIVE MICROWAVE ENERGY** found on page 2.
- This appliance must be grounded. Connect only to properly grounded outlet. See "**GROUNDING INSTRUCTIONS**" found on **Installation Requirements** section.
- Use this appliance only for its intended use as described in the manual. Do not use corrosive chemicals or vapors in this appliance. This type of oven is specifically designed to heat, cook, or dry food. It is not designed for industrial or laboratory use.
- To avoid electric shock:
 - Do not operate this appliance if it has a damaged cord or plug, if it is not working properly or if it has been damaged or dropped.

4 IMPORTANT SAFETY INSTRUCTIONS

- Do not immerse cord or plug in water. Keep cord away from heated surfaces.
- Do not let cord hang over edge of table or counter.
- To reduce the risk of fire in the oven cavity:
 - Do not overcook food. Carefully attend appliance when paper, plastic, or other combustible materials are placed inside the oven to facilitate cooking.
 - Remove wire twist-ties from paper or plastic bags before placing bag in oven.
 - If materials inside the oven ignite, keep oven door closed, turn oven off, and disconnect the power cord, or shut off power at the fuse or circuit breaker panel.
 - Do not use the cavity for storage purposes. Do not leave paper products, cooking utensils, or food in the cavity when not in use.
- Install or locate this appliance only in accordance with the provided installation instructions.
- Some products such as whole eggs and sealed containers – for example, closed glass jars – are able to explode and should not be heated in this oven.
- Liquids, such as water, coffee, or tea are able to be overheated beyond the boiling point without appearing to be boiling. Visible bubbling or boiling when the container is removed from the microwave oven is not always present.
- **THIS COULD RESULT IN VERY HOT LIQUIDS SUDDENLY BOILING OVER WHEN THE CONTAINER IS DISTURBED OR A SPOON OR OTHER UTENSIL IS INSERTED INTO THE LIQUID.**
To reduce the risk of injury to persons:
 - Do not overheat the liquid. Stir the liquid both before and halfway through heating it.
 - Do not use straight-sided containers with narrow necks. Use extreme care when inserting a spoon or other utensil into the container.
 - After heating, allow the container to stand in the microwave oven for a short time before removing the container.
- Do not cover or block any openings on the appliance.
- Do not store this appliance outdoors. Do not use this product near water - for example, near a kitchen sink, in a wet basement, near a swimming pool, or similar locations.
- This appliance should be serviced only by qualified service personnel. Contact the nearest authorized service facility for examination, repair, or adjustment.
- When cleaning surfaces of door and oven that comes together on closing the door, use only mild, nonabrasive soaps or detergents applied with a sponge or soft cloth.
- **HOT CONTENTS CAN CAUSE SEVERE BURNS. DO NOT ALLOW CHILDREN TO USE THE MICROWAVE.** Use caution when removing hot items.
- Microwave oven is to be mounted only above countertop level.

Operation

- Do not use this oven for commercial purposes. It is made for household use only.
- Do not run the oven while it is empty.
- If your oven is dropped or damaged, have it thoroughly checked by a qualified service technician before using it again.
- Take care when the door is opened to avoid injury.
- To avoid improperly cooking some foods:
 - Do not heat any type of baby bottle or baby food. Uneven heating may occur and possibly cause personal injury.
 - Do not heat small-necked containers, such as syrup bottles.
 - Do not deep-fat fry in the microwave oven.
 - Do not attempt home canning in the microwave oven.

- Do not use the oven for the purpose of dehumidification (for example, operating the microwave oven with wet newspapers, clothes, toys, electric devices, plants, soil, pets or any other living matter inside it). The oven must only be used for heating or cooking food. The results of misuse can include safety risks such as fire, burns, or death due to electric shock.
- The appliance and its accessible parts become hot during use. Care should be taken to avoid touching heating elements inside the oven. Children must be kept away unless continuously supervised.
- Do not use recycled paper products. They may contain impurities which may cause sparks and/or fires when used in cooking.
- The door or the outer surface may get hot when the appliance is operating.
- Liquids heated in certain shaped containers (especially cylindrical-shaped containers) may become overheated. The liquid may splash out with a loud noise during or after heating or when adding ingredients (instant coffee, etc.), resulting in harm to the oven and possible injury. In all containers, for best results, stir the liquid several times before heating. Always stir liquid several times between reheatings.
- DO NOT TOUCH HEATING ELEMENTS AND/OR INTERIOR SURFACES OF THE MICROWAVE OVEN.
 - While using the microwave oven or after use or while cleaning the microwave oven or while using the cooktop for a long time, do not allow flammable materials to come into contact with the heating elements and/or interior surfaces of the microwave oven until they have had sufficient time to cool down. Other surfaces, such as the windows of the microwave oven door, the oven lamp, the cooktop light, and the door open button, can also get hot and may cause burns if not allowed to cool.

Maintenance

- If the door or door seals are damaged, the oven must not be operated until it has been repaired by an authorized service person.
- The oven should be cleaned regularly and any food deposits should be removed. Failure to maintain the oven in a clean condition could lead to deterioration of the surface that could adversely affect the life of the appliance and possibly result in a hazardous situation.
- Do not rinse trays and racks by placing them in water immediately after cooking. This may cause breakage or damage. Improper use could result in damage to the oven.
- Oversized food or oversized metal utensils should not be inserted in a microwave oven as they may create a fire or risk of electric shock.
- Do not clean with metal scouring pads. Pieces can burn off the pad and touch electrical parts involving a risk of electric shock.
- Do not store any materials, other than manufacturer's recommended accessories, in this oven when not in use.
- Do not cover racks or any other part of the oven with metal foil. This will cause overheating of the oven.
- Do not allow water to spill into the ventilation openings to prevent damage to the internal working parts of the oven. Doing so may cause a fire or create a risk of electric shock.

Microwave Oven

- Must be installed following the provided installation instructions.
- Secure the cord in the cabinet above the oven.
- Do not tamper with the built-in safety switches on the oven door. The oven has several built-in safety switches to make sure the power is off when the door is open.
- Preserve the oven floor:
 - Do not heat the oven floor excessively.
 - Do not allow the gray film on special microwave-cooking packages to touch the oven floor. Put the package on a microwavable dish.
 - Do not cook anything directly on the oven floor or turntable. Use a microwavable dish.

6 IMPORTANT SAFETY INSTRUCTIONS

- Keep a browning dish at least 3/16 inch above the oven floor. Carefully read and follow the instructions for the browning dish. If you use a browning dish incorrectly, you could damage the oven floor.

Ventilation

- **Burn Hazard:** If a range or cooktop located below the microwave is operating, use caution when operating the microwave. **External components of the microwave may become very hot and cause burns or other injury if touched.**
- Clean Ventilating Hoods Frequently – Grease should not be allowed to accumulate on hood or filter.
- When flaming foods under the hood, turn the fan on.
- Use care when cleaning the vent-hood filter. Corrosive cleaning agents, such as lye-based oven cleaners, may damage the filter.
- Suitable for use above both gas and electric cooking equipment 36 inches wide or less.

Radio/TV/Wireless Equipment Interference

- Operating the microwave oven near equipment-such as a radio, TV, wireless LAN, Bluetooth devices, medical equipment, or wireless equipment which uses the same frequency, may cause interference. This interference is not an indication of a defect in the product or its operation. The product is safe to use.
- Do not use medical equipment near the microwave oven, as the interference could affect the medical equipment's operation.
- When there is interference, it may be reduced or eliminated by taking the following measures:
 - Clean the door and the sealing surfaces of the oven.
 - Reorient the receiving antenna of the radio, TV, Bluetooth, or other equipment.
 - Relocate the microwave oven in relation to the radio, TV, Bluetooth, or other equipment.
 - Move the microwave oven away from the receiver.
 - Plug the microwave oven into a different outlet so that the microwave oven and receiver are on different branch circuits

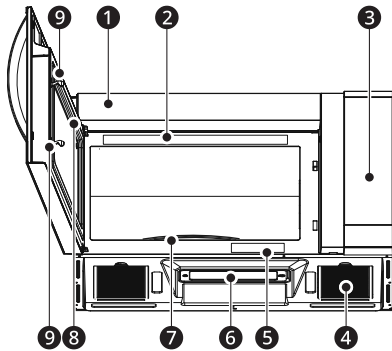
SAVE THESE INSTRUCTIONS

INSTALLATION

Product Overview

Front View

The appearance or components of the appliance may differ from model to model.



- ❶ Vent Grille
- ❷ Location of Model Number
- ❸ Control Panel
- ❹ Grease Filter
- ❺ Cooking Guide
- ❻ Cooktop Light
- ❼ Glass Turntable
- ❽ Window with Metal Shield
- ❾ Safety Door Lock System

Accessories

Accessories will vary depending on the model purchased.



- ❶ Glass Tray
- ❷ Rotating Ring

⚠ WARNING

- Do not operate the oven when it is empty or without the glass tray. It is best to leave a glass of water in the oven when not in use. The water

will safely absorb all microwave energy, if the oven is accidentally started.

⚠ CAUTION

- To avoid risk of personal injury or property damage, do not use stoneware, metal cookware, or metal rimmed cookware in the oven.
- Keep aluminum foil at least 1 inch from the oven walls and other pieces of foil. Foil can cause arcing if it gets too close to the oven walls during cooking.

NOTE

- This microwave oven is designed for household use only. It is not recommended for commercial use.
- Do not overcook food. The microwave oven can be damaged.
- A beep sounds each time you press a key. A melody signals the end of a timer or a cooking cycle.

Specifications

MVEM182** Model

- **Power Supply:** 120 V AC, 60 Hz
- **Rated Power Consumption:** 1500 W (Microwave oven with cooktop lamp and ventilation fan)
- **Microwave Output:** Max. 900 W[†]
- **Rated Current:** 13 A
- **Dimensions (W x H x D):** 29 7/8" x 16 7/16" x 15 7/8"
- **Capacity of Oven Cavity:** 1.8 cu.ft.
- **Net Weight:** 50 lbs.

[†] IEC 60705 RATING STANDARD. Specifications are subject to change without prior notice.

Installation Requirements

Installation Location

Make sure you have enough space and support.

- Mount the oven against a flat, vertical wall, so it is supported by the wall. The wall should be

8 INSTALLATION

constructed of a minimum of 2" x 4" wood studding and 3/8" thick drywall or plaster/lath.

- Attach the 2 lag screws supporting the oven to a vertical, 2" x 4" wall stud.
- DO NOT mount the microwave oven to an island or peninsula cabinet.
- Be sure that the upper cabinet and rear wall structures can support 150 lb. plus the weight of any items you place inside the oven or upper cabinet.
- Locate the oven away from areas with strong drafts, such as near windows, doors, and large heating vents.
- Make sure that you have enough space. See the clearance diagrams in the installation manual for the minimum vertical and horizontal clearances.
- Refer to the **Installation Instructions** for details.

Electrical Requirements

The oven is designed to operate on a standard 120 V/60 Hz household outlet. Be sure that the circuit is at least 15 A or 20 A and the microwave oven is the only appliance on the circuit. It is not designed for 50 Hz or any circuit other than a 120 V/60 Hz circuit. No other electrical appliances or lighting circuits should be on this line. If in doubt, consult a licensed electrician.

Voltage Warning

The voltage used at the wall socket must be the same as specified on the oven name plate located on the back or on the side of the control panel of the oven. Using a higher voltage is dangerous and may result in a fire or other type of accident causing oven damage. Low voltage will cause slow cooking. If the microwave oven does not perform normally in spite of proper voltage, unplug and reconnect the power cord.

Do Not Block Air Vents

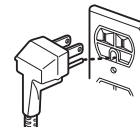
All air vents should be kept clear during cooking. If air vents are covered during oven operation the oven may overheat. To prevent damage to the oven, a sensitive safety device detects overheating and automatically turns the oven off. The oven cannot be used until it has cooled sufficiently.

Grounding Instructions

This appliance must be grounded. In the event of an electrical short circuit, grounding reduces the risk of electric shock by providing an escape wire for the electric current. This appliance is equipped with a cord having a grounding wire with a

grounding plug. The plug must be plugged into an outlet that is properly installed and grounded.

- Consult a qualified electrician or service person if the grounding instructions are not completely understood, or if doubt exists as to whether the appliance is properly grounded.
 - Do not use an extension cord. If the power supply cord is too short, have a qualified electrician or service person install an outlet near the appliance.
- Ensure that the product is properly grounded before use.



- Keep the electrical power cord dry and do not pinch or crush it in any way.
- For a permanently connected appliance:

This appliance must be connected to a grounded, metallic, permanent wiring system, or an equipment grounding conductor should be run with the circuit conductors and connected to the equipment grounding terminal or lead on the appliance.

⚠ WARNING

- Improper use of the grounding can result in a risk of electric shock.
- Do not use an extension cord. If the power supply cord is too short, have a qualified electrician or service person install an outlet near the appliance.
- A short power supply cord is provided to reduce the risks resulting from becoming entangled in or tripping over a longer cord.

NOTE

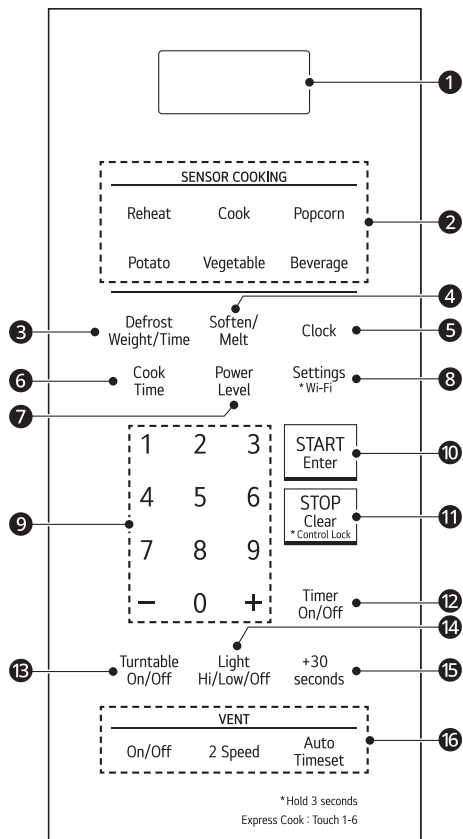
- Because this appliance fits under the cabinet, it has a short power supply cord. See the separate installation instructions for directions on properly placing the cord.

OPERATION

Control Panel

The actual control panel may differ from model to model.

Control Panel Features



1 Display

Shows the time of day, cooking time settings, and selected cooking functions.

2 SENSOR COOKING

Select various functions of the Sensor Cooking. See **Cooking Mode** section.

3 Defrost Weight/Time

Press **Defrost Weight/Time** followed by number buttons to thaw frozen meat by weight.

4 Soften/Melt

- **Soften**: Soften butter, icecream, cream cheese, frozen juice.
- **Melt**: Melt butter or margarine, chocolate, cheese, and marshmallows.

5 Clock

Set the time of day.

6 Cook Time

Set a cooking time.

7 Power Level

Select a cooking power level.

8 Settings

- Adjust the default values for **Wi-Fi**.

Wi-Fi

- Press and hold **Settings** for 3 seconds to connect to a Wi-Fi network.

9 Number Pads and More/Less

- **Number Pads**: Press the buttons to set cooking time, power level, quantity, or weight. (Press 1 through 6 for Express Cook.)
- **More/Less**: Adjust the pre-programmed cook time.
 - **More (+)**: Press this button to add ten seconds of cooking time each time you press it.
 - **Less (-)**: Press this button to subtract ten seconds of cooking time each time you press it.

10 START/Enter

Start all oven functions or enter settings

11 STOP/Clear

- Stop cooking or clear all entries.

Control Lock

- Press and hold button for three seconds to activate **Control Lock**.

12 Timer On/Off

Set the kitchen timer.

13 Turntable On/Off

Turn the turntable on/off. This option is not available in Sensor Cook, Defrost, Soften and Melt modes.

14 Light Hi/Low/Off

Turn the the cooktop light on high/low or off.

15 +30 seconds

Add 30 seconds of cooking time each time you press it.

10 OPERATION

16 Vent Functions

- Press **On/Off** to turn the vent fan on or off. (default: high)
- Press **2 Speed** to set the vent fan speed.
- Press **Auto Timeset** to set ventilation time. (Turns off after 1, 3, 5, 10 or 30 minutes)

Before Use

Setting the Clock

Set the current time to operate the microwave oven.

- 1 Press **STOP/Clear** and press **Clock**.
- 2 Press the number keys to set the correct time of day, and press **START/Enter**.

NOTE

- To reset the clock mode, unplug the power cord and plug it back in.

Child Lock

Use this safety feature to lock the control panel before cleaning the oven or to prevent children from unsupervised use of the oven.

Setting Child Lock to ON

- 1 Press **STOP/Clear**.
- 2 Press and hold **STOP/Clear** until **Loc** appears in the display (approximately 3 seconds).

Canceling Child Lock

Press and hold **STOP/Clear** until **Loc** disappears in the display (approximately 3 seconds).

NOTE

- If set, the time of day reappears in the display after 3 second.
- If the oven is locked, **Loc** appears in the display when any key is pressed.
- Unlock the oven to resume normal use.

Kitchen Timer

The Timer function serves as an extra kitchen timer up to 99 minutes, 99 seconds. It chimes when the set time runs out. It does not start or stop cooking.

Setting Timer for 3 Minutes

- 1 Press **Timer On/Off**.
- 2 Press the number keys to set the time (**3, 0,** and **0**), and press **START/Enter**.
 - The timer starts immediately and the time counts down in the display.
- 3 To cancel the timer, press **Timer On/Off**.

NOTE

- When the time is over, the oven beeps continuously until you press **Timer On/Off**.

Setting the Cooktop Light

Use the Light settings to adjust the light for the cooktop below the microwave.

- 1 Press **Hi/Low/Off** once to set the light to high.
- 2 Press **Hi/Low/Off** twice to set the light to low.
- 3 Press **Hi/Low/Off** again to turn the light off.

Setting the Turntable

Use this button to turn the turntable off or on. For best results, leave the turntable on unless using cookware that is too large to turn.

- 1 Press **Turntable On/Off** to turn the turntable off.
- 2 Press **Turntable On/Off** again to turn the turntable on.

NOTE

- This option is not available in Sensor Cook, Defrost, Soften or Melt modes.

- Be careful when touching the glass turntable during and after cooking. The glass turntable can become hot.

Setting Ventilation Functions

Use this button to set the vent fan speed. The vent removes steam and other vapors from the cooking surface.

Turning the Vent Fan On or Off

- 1 Press **On/Off** once to turn the vent fan on.
- 2 Press **On/Off** again to turn the vent fan off.

Setting the Vent Fan Speed

When the fan is on, press **2 Speed** repeatedly to change the vent fan speed.

- The fan speed will change in sequence from High to Low.

Setting the Timed Ventilation

Press **Auto Timeset** repeatedly to set the time before the vent fan automatically turns off.

- The ventilation time will change in sequence from 1 to 3, 5, 10, and 30 minutes.

NOTE

- Turn the microwave's vent fan on whenever you use the cooktop below it. The fan captures smoke, steam, and odors and also prevents the heat from the cooktop from damaging microwave components.
- If the microwave is cooking, the vent fan turns on automatically if the sensors detect too much heat from the cooktop. This is designed to prevent microwave component damage.

Custom Setting

Adjust the default values for Wi-Fi

Setting Menu

Refer to the information below to adjust the settings.

Item	Option
Wi-Fi	<ul style="list-style-type: none"> • 1 Wi-Fi On • 2 Wi-Fi Off

Setting the Wi-Fi on

- 1 Press **Settings**.
- 2 Press **1** to set the **Wi-Fi** on.

Microwave Power Levels

This microwave oven is equipped with 10 power levels to give you maximum flexibility and control over cooking.

- When operating at 100 % power levels for prolonged periods, the output power will be reduced gradually to help prevent the unit from electrically overheating.

Power Level	Use
High 10 (100 %)	<ul style="list-style-type: none"> • Boiling water. • Browning ground beef. • Making candy. • Cooking whole poultry, poultry pieces, fish & vegetables. • Cooking tender cuts of meat.
9 (90%)	<ul style="list-style-type: none"> • Reheating rice, pasta & vegetables.
8 (80%)	<ul style="list-style-type: none"> • Reheating prepared foods quickly. • Reheating sandwiches.
7 (70%)	<ul style="list-style-type: none"> • Cooking egg, milk and cheese dishes. • Cooking cakes and breads. • Melting chocolate.
6 (60%)	<ul style="list-style-type: none"> • Cooking veal. • Cooking whole fish. • Cooking puddings and custard.
5 (50%)	<ul style="list-style-type: none"> • Cooking ham, whole poultry and lamb. • Cooking rib roast and sirloin tip.
4 (40%)	<ul style="list-style-type: none"> • Thawing meat, poultry and seafood.
3 (30%)	<ul style="list-style-type: none"> • Cooking less tender cuts of meat.


12 OPERATION

Power Level	Use
2 (20%)	<ul style="list-style-type: none"> • Taking chill out of fruit. • Softening butter.
1 (10%)	<ul style="list-style-type: none"> • Keeping casseroles and main dishes warm. • Softening butter and cream cheese.
0 (0%)	<ul style="list-style-type: none"> • Standing time

Wi-Fi

Connect the appliance to a home Wi-Fi network to use smart functions. See **SMART FUNCTIONS** for more details. Wi-Fi on the appliance can be turned on or off within the Settings menu.

Setting Up Wi-Fi

- 1 Press and hold the **Settings** button for three seconds. The Wi-Fi icon  appears at the top of the display when Wi-Fi is turned on.
- 2 Follow the instructions in the **LG ThinQ** application.

NOTE

- The Wi-Fi icon on the display shows the status of the appliance's network connection. If the Wi-Fi icon is not shown, use the smart phone app to select the Wi-Fi network or connect the product again.

Quick Start and Stop

Using Quick Start

This feature allows you to start the microwave function without pressing the **START/Enter** button.

Cooking for 2 Minutes on High Power

Press **+30 seconds** four times.

- The oven starts immediately and the time counts down in the display.
- Press **+30 seconds** repeatedly to extend the cook time by 30 seconds every time the button is pressed (up to 99 min 59 seconds).

Interrupting Cooking

- To stop the oven during a cycle, open the door or Press **STOP/Clear**.
- To restart cooking, close the door and press **START/Enter**.
- To stop the oven and clear the settings during a cycle, press **STOP/Clear**.

Manual Cooking

Using Manual Cooking

Unless you are using the auto cooking functions, the cook time and power level must be set manually.

Cooking for 5 Minutes, 30 Seconds at 80% Power

- 1 Press **Cook Time**.
- 2 Press the number keys to set the cook time (**5:30**).
- 3 Press **Power Level**.
- 4 Press **8** to select power level 8, and press **START/Enter**.
 - When cooking is complete, a chime sounds and **End** appears in the display window.

NOTE

- If a power level is not selected, the oven defaults to 100% power.

Using Express Cook

Press the **1** through **6** number buttons to immediately start the microwave function on High for the selected number of minutes.

Cooking for 3 Minutes at High

- 1 Press **3** to start cooking
 - When cooking is complete, a chime sounds and **End** appears in the display window.

Using Multi-Stage Cooking

Program an item to cook in 2 stages with different power levels and cooking times.

- 3 stages can be programmed if the first stage is the Defrost cycle.

Cooking for 3 Minutes at 100% Power and then at 80% for 7 Minutes

- 1 Press **Cook Time** and enter the first cook time (**3, 0,** and **0**).
- 2 Press **Cook Time** and enter the second cook time (**7, 0,** and **0**).
- 3 Press **Power Level** and enter the power level (**8**).
- 4 Press **START/Enter**.

Cooking Mode

Cook your favorite foods without having to select cooking times and power levels.

Using the Sensor Functions

The sensor features offer convenient cooking or reheating of popular food items automatically using preprogrammed settings.

The Sensor system works by detecting built up steam so there is no need to set cook times or power levels.

- Make sure the door remains closed.
- Opening the door or pressing the **STOP/Clear** button before the steam is detected will stop the process and the oven.
- Appropriate containers and coverings help assure good sensor cooking results.
 - Always use microwavable containers and cover them with lids or vented plastic wrap.
 - Never use tight-sealing plastic covers. They can prevent steam from escaping and cause food to overcook.
 - Match the amount to the size of the container.
 - Fill containers at least half full for best results.
 - Be sure the outside of the cooking container and the inside of the microwave oven are dry before placing food in the oven. Beads of

moisture turning into steam can mislead the sensor.

Sensor Reheat Mode

This feature reheats single servings of previously cooked foods or a plate of leftovers.

- 1 Press **Reheat**.
- 2 Use the number keys or press **Reheat** to enter the desired menu code from the **Sensor Reheat Menu**.
- 3 Press **Start/Enter**.
 - When the cook time ends, a melody sounds and **End** appears in the display.

NOTE

- Do not use recycled paper products in the microwave oven. They sometimes contain impurities that cause arcing and sparking.

Sensor Reheat Menu

Refer to the information below to set the desired menu item and see the recommended amounts.

- **1 Dinner Plate** (1 - 2 servings)
 - Cookware: Microwave-safe plate
 - Food temperature: Refrigerated
 - Instructions: Cover with lid or vented plastic wrap. After cooking, let stand for 3 minutes.
- **2 Soup / Sauce** (1 - 4 cups)
 - Cookware: Microwave-safe bowl
 - Food temperature: Refrigerated
 - Instructions: Cover with vented plastic wrap. After cooking, stir and let stand for 3 minutes.
- **3 Casserole** (1 - 4 cups)
 - Cookware: Microwave-safe bowl
 - Food temperature: Refrigerated
 - Instructions: Cover with vented plastic wrap. After cooking, let stand for 3 minutes.
- **4 Pizza** (1 - 3 slices)
 - Cookware: Microwave-safe dish
 - Food temperature: Refrigerated
 - Instructions: Unwrap and place food on a microwave-safe dish.

14 OPERATION

- **5 Baked Goods** (1 - 4 pieces)

- Cookware: Paper towel
- Food temperature: Room
- Instructions: Place on paper towel. Do not cover.

⚠ WARNING

- Be careful when handling containers. Microwave heating of beverages can result in delayed eruptive boiling. Therefore, care must be taken when handling containers.

Sensor Cook Mode

Cook your favorite foods automatically using preset programs.

1 Press **Cook**.

2 Use the number keys or press **Cook** to enter the desired menu code from the **Sensor Cook Menu**.

3 Press **START/Enter**.

- When the cook time ends, a melody sounds and **End** appears in the display.

Sensor Cook Menu

Refer to the information below to set the desired menu item and see the recommended amounts.

- **1 Rice** (0.5 - 2 cups)

- Cookware: Deep and large microwave-safe bowl
- Food temperature: Room
- Instructions: Put the rice and water in the bowl as below.

Rice 0.5 cup (96 g), water 1-1/3 cups (314 g)

Rice 1 cup (192 g), water 2-1/4 cups (531 g)

Rice 1.5 cups (288 g), water 3-1/4 cups (789 g)

Rice 2 cups (384 g), water 4-1/2 cups (1062 g)

Cover with vented plastic wrap. After cooking, let stand 5-10 minutes.

- **2 Frozen Lasagna** (10 - 21 oz)

- Food temperature: Frozen
- Instructions: Remove outer packaging. Slit cover. If not in a microwave-safe container, transfer it to a microwave-safe plate covered

with vented plastic wrap. After cooking, let stand in microwave oven for 3 minutes.

- **3 Fish Fillets** (4 - 16 oz)

- Cookware: Microwave-safe plate
- Food temperature: Refrigerated
- Instructions: Cover with vented plastic wrap. After cooking, let stand for 5 minutes.

- **4 Shrimp** (4 - 16 oz)

- Cookware: Microwave-safe plate
- Food temperature: Refrigerated
- Instructions: Cover with vented plastic wrap. After cooking, let stand for 2 minutes.

- **5 Chicken Pieces** (4 - 32 oz)

- Cookware: Microwave-safe plate
- Food temperature: Refrigerated
- Instructions: Cover with vented plastic wrap. After cooking, let stand for 3 minutes.

- **6 Ground Meat** (4 - 16 oz.)

- Cookware: Microwave-safe bowl
- Food temperature: Room
- Instructions: Cover with vented plastic wrap. Stir after cooking.

- **7 Casserole** (1 - 4 cups)

- Cookware: Microwave-safe bowl
- Food temperature: Room
- Instructions: Cover with vented plastic wrap. After cooking, let stand for 3 minutes.

- **8 Boiling Water** (1 - 2 cups (240 ml/cup))

- Cookware: Microwave-safe cup
- Food temperature: Room
- Instructions: After cooking, stir to complete reheating

⚠ WARNING

- Be careful when handling the container. Microwave heating of beverages can result in delayed eruptive boiling. Therefore, care must be taken when handling the container.

Sensor Popcorn Mode

Prepare microwave popcorn simply and easily, one bag at a time.

1 Press **Popcorn**.

2 Press **START/Enter**.

- When the cook time ends, a melody sounds and **End** appears in the display.

⚠ CAUTION

- Only pop popcorn in a microwavable container or in commercial packages designed for microwave ovens.
- Do not reuse popcorn bags.
- Do not leave microwave unattended while popping corn.
- Follow directions on bag.

Sensor Popcorn Menu

Refer to the information below to set the desired menu item and see the recommended amounts.

- **Popcorn(PoP)** (2.0 - 3.5 oz)
 - Pop only one package at a time. For best results, use a fresh bag of popcorn. Place a bag of prepackaged microwave popcorn on the center of the glass tray.

Sensor Potato Mode**Setting the Potato Function**

- 1** Press **Potato**.
- 2** Press **START/Enter**.
- 3** Press **STOP/Clear** to cancel the sensor potato function at any time.

Sensor Potato Menu

Refer to the information below to set the desired menu item and see the recommended amounts.

- **Potato(Pot)** (1 - 4 ea (approx. 7 - 9 oz each))
 - Cookware: Paper towel on the glass tray
 - Food temperature: Room
 - Instructions: Pierce skin with a fork and place on paper towel on the glass tray. Do not cover. After cooking, let stand for 5 minutes.

Sensor Vegetable Mode**Setting the Vegetable Function**

- 1** Press **Vegetable**.
- 2** Use the number keys or press **Vegetable** to enter a category from the menu below.
- 3** Press **START/Enter**.
- 4** Press **STOP/Clear** to cancel the sensor vegetable function at any time.

Sensor Vegetable Menu

Refer to the information below to set the desired menu item and see the recommended amounts.

- **1 Fresh vegetable (Hard)** (1 - 4 cups)
 - Cookware: Microwave-safe bowl
 - Food temperature: Refrigerated
 - Hard vegetables: Carrots, beets, etc.
 - Instructions: Add water (1 - 2 cups: 2 tbsp water, 3 - 4 cups: 4 tbsp water). Cover with vented plastic wrap. After cooking, let stand for 3 minutes.
- **2 Fresh vegetable (Soft)** (1 - 4 cups)
 - Cookware: Microwave-safe bowl or casserole
 - Food temperature: Refrigerated
 - Soft vegetables: Cauliflower, broccoli, spinach, etc.
 - Instructions: Add water (1 - 2 cups: 2 tbsp water, 3 - 4 cups: 4 tbsp water). Cover with vented plastic wrap. After cooking, let stand for 3 minutes.
- **3 Frozen vegetable** (1 - 4 cups)
 - Cookware: Microwave-safe bowl or casserole
 - Food temperature: Frozen
 - Instructions: Add water (1 - 2 cups: 2 tbsp water, 3 - 4 cups: 4 tbsp water). Cover with vented plastic wrap. After cooking, let stand for 3 minutes.
- **4 Canned vegetable** (1 - 4 cups)
 - Cookware: Microwave-safe bowl or casserole
 - Food temperature: Room
 - Instructions: Cover with vented plastic wrap. Stir thoroughly after cooking.

16 OPERATION

Sensor Beverage Mode

Setting the Sensor Beverage Function

- 1 Press **Beverage**.
- 2 Press **START/Enter**.
- 3 Press **STOP/Clear** to cancel the sensor beverage function at any time.

Sensor Beverage Menu

Refer to the information below to set the desired menu item and see the recommended amounts.

- **Tea (tEA)** (1 - 2 cups, 8 oz/240 ml per cup)
 - Cookware: Microwave-safe cup
 - Food temperature: Room
 - Instructions: Pour tea into a mug or microwave-safe cup. After heating, stir to complete reheating.

WARNING

- Be careful when handling the container. Microwave heating of beverages can result in delayed eruptive boiling. Therefore, care must be taken when handling the container.

Defrost Mode

Using Defrost Menu

The oven has 4 preset defrost cycles. The **Defrost Menu** shows the suggested defrost cycle for various foods.

- 1 Press **Defrost Weight/Time** repeatedly to select the desired menu code.
- 2 Press the number keys from 1 to 9 to toggle through the preset amounts. Then press **START/Enter**.
 - At the chime, open the oven door and turn the food over. Remove any food that has thawed. Return the items which are still frozen to the oven, and press **START/Enter** to complete the defrost cycle.

Setting Defrost Time

Use this feature to manually set the defrost time.

- 1 Press **Defrost Weight/Time** five times.
- 2 Enter the desired defrosting time using the number keys. (For 2 minutes: **2, 0, and 0**)
- 3 Press **START/Enter**.

NOTE

- The countdown appears in the display after **START/Enter** is pressed. The oven chimes once during the defrost cycle.
- When using Defrost, enter the net weight in pounds and tenths of pounds (the weight of the food minus the container).

Defrost Menu

Refer to the information below to set the desired menu item and see the recommended amounts.

- **1 Meat** (0.1 - 6.0 lbs)
 - Beef: Ground beef, round steak, stew cubes, tenderloin steak, pot roast, rib roast, rump roast, chuck roast, hamburger patties
 - Lamb: Chops (1 inch thick), rolled roast
 - Pork: Chops (0.5 inch thick), hot dogs, spareribs, country-style ribs, rolled roast, sausage
 - Veal: Cutlets (1 lb, 0.5 inch thick)

When the oven beeps, turn food over. After defrosting, let stand for 5-15 minutes.

- **2 Poultry** (0.1 - 6.0 lbs)
 - Poultry: Whole, cut-up, breast (boneless)
Rinse chicken cavity with tap water before cooking and let stand for 60 minutes after cooking for better results.
 - Cornish hens: Whole
 - Turkey: Breast

When the oven beeps, turn food over. After defrosting, let stand for 30 minutes.

- **3 Fish** (0.1 - 6.0 lbs)
 - Fish: Fillets, whole steaks
 - Shellfish: Crab meat, lobster tails, shrimp, scallops

When the oven beeps, turn food over. After defrosting, let stand for 5-10 minutes.

- **4 Bread** (0.1 - 1.0 lbs)
 - Muffins, rolls, cake

When the oven beeps, turn food over. After defrosting, let stand for 1-2 minutes.

• 5 Set time

- To defrost by time rather than weight, press **Defrost Weight/Time** five times, enter the amount of time you wish to defrost, then press **START/Enter**.

Soften/Melt Mode

The oven uses low power to soften foods (butter, ice cream, cream cheese, frozen juice) and melt foods (butter/margarine, chocolate, cheese, marshmallows).

- 1 Press **Soften/Melt** repeatedly to enter the desired menu code from the **Soften or Melt Menu**.
- 2 Press the number keys from 1 to 9 to toggle through the preset amounts. Then press **START/Enter**.

Soften Menu

Refer to the information below to set the desired menu item and see the recommended amounts.

- **1 Butter** (1, 2 or 3 sticks (4 oz/1 stick))
 - Cookware: Microwave-safe dish
 - Food temperature: Refrigerated
 - Instructions: Unwrap and place food in oven. Butter will be at room temperature and ready for use in a recipe. When using ½ stick, press **Cook Time** and press the number keys to set the cooking time (0:40). Press **Power Level** and press **2** to select power level 2. Press **START/Enter**.
- **2 Ice Cream** (Pint, Quart, Half Gallon)
 - Food temperature: Frozen
 - Instructions: Remove lid and cover. Place food in oven. Ice cream will be soft enough to make scooping easier.
- **3 Cream Cheese** (3 or 8 oz)
 - Cookware: Microwave-safe dish
 - Food temperature: Refrigerated
 - Instructions: Unwrap and place food in oven. Cream cheese will be at room temperature and ready for use in a recipe.
- **4 Frozen Juice** (6, 12 or 16 oz)
 - Food temperature: Frozen
 - Instructions: Remove top. Frozen juice will be soft enough to mix easily with water.

Melt Menu

Refer to the information below to set the desired menu item and see the recommended amounts.

- **5 Butter / Margarine** (1, 2 or 3 sticks (4 oz/1 stick))
 - Cookware: Microwave-safe bowl
 - Food temperature: Refrigerated
 - Instructions: Unwrap and place food in oven. After heating, stir to complete melting. When using ½ stick, press **Cook Time** and press the number keys to set the cooking time (0:30). Press **Power Level** and press **10** to select power level 10. Press **START/Enter**.
- **6 Chocolate** (4 or 8 oz)
 - Cookware: Microwave-safe bowl
 - Food temperature: Room
 - Instructions: Chocolate chips or squares of baking chocolate may be used. Unwrap and place food in oven. After heating, stir to complete melting.
- **7 Cheese** (8 or 16 oz)
 - Cookware: Microwave-safe bowl
 - Food temperature: Refrigerated
 - Instructions: Use processed cheese food only. Unwrap and cut into cubes. Place food in oven. Stir the food at the beep. After heating, stir to complete melting.
- **8 Marshmallows** (5 or 10 oz)
 - Cookware: Microwave-safe bowl
 - Food temperature: Room
 - Instructions: Unwrap and place food in oven. After heating, stir to complete melting.

Cookware Guide

Microwave-Safe Cookware

Use microwavable cookware.

- **Ovenproof Glass**
 - Ovenproof glassware that is treated for high intensity heat so it is heat-resistant is microwave-safe.
 - Use utility dishes, loaf dishes, pie plates, cake plates, liquid measuring cups, casseroles and bowls without metal rims.
 - Do not use delicate glassware, such as tumblers or wine glasses, as these might shatter when heated.

18 OPERATION

• China

- Use bowls, cups, serving plates, pottery, stoneware, ceramic, and platters without metal rims or handles. Many containers made of these materials are microwave-safe, but test them before use.

• Plastic

- **Plastic Storage Containers:** Use plastic dishes, cups, semi-rigid freezer containers and plastic bags only for short cooking times. Do not use them when cooking food for long periods or at high power levels, as the hot food will eventually warp or melt the plastic.
- **Plastic wrap (as a cover):** Lay the plastic wrap loosely over the dish and press it to the sides. Vent plastic wrap by turning back one edge slightly to allow excess steam to escape. The dish should be deep enough so that the plastic wrap will not touch the food. As the food heats it may melt the plastic wrap wherever the wrap touches the food.
- **Plastic Cooking Bags:** Provided they are specially made for cooking, cooking bags are microwave safe. Remember to make a slit in the bag so that steam can escape. Never use ordinary plastic bags for cooking in the microwave oven, as they will melt and rupture.
- **Plastic Microwave Cookware:** A variety of shapes and sizes of microwave cookware are available. You may be able to use items you already have on hand rather than investing in new kitchen equipment.

• Paper

- Use paper towels, waxed paper, paper napkins, and paper plates with no metal rims or design. Look for the manufacturer's label for use in the microwave oven.
- Paper plates and containers are convenient and safe to use in the microwave oven, provided that the cooking time is short and the foods to be cooked are low in fat and moisture. Paper towels are also very useful for wrapping foods and for lining baking trays in which greasy foods such as bacon are cooked.
- Avoid colored paper products as the color may run. Do not use recycled paper products in the microwave oven. They may contain impurities which could cause arcing or fires when used in the microwave.

• Tableware

- Many containers made of pottery, stoneware and ceramic are also microwave-safe. If in doubt consult the manufacturer's literature or perform the microwave test.

- Do not put plates with painted decoration in the oven, as the paint may contain metal and cause arcing.

Microwave-Unsafe Cookware

• Metal Containers/Metal Decoration

- Never use metal or metal-rimmed cookware in the microwave oven.
- Microwaves cannot penetrate metal. They will bounce off any metal object in the oven and cause arcing, an alarming phenomenon that resembles lightning.
- Metal shields the food from microwave energy and produces uneven cooking. Also avoid metal skewers, thermometers, foil trays, metal-rimmed or metal-banded dinnerware, casserole dishes, etc. The metal rim interferes with normal cooking and may damage the oven.

• Aluminum Foil

- Avoid large sheets of aluminum foil because they hinder cooking and may cause harmful arcing.
- Use small pieces of foil to shield poultry legs and wings.
- Keep ALL aluminum foil at least 1 inch from the side walls and door of the oven.

• Wood

- Wood bowls and boards will dry out and may split or crack when you use them in the microwave oven.
- Baskets react in the same way.

• Tightly Covered Cookware

- Be sure to leave openings for steam to escape from covered containers.
- Pierce plastic pouches of vegetables or other food items before cooking.
- Tightly closed pouches could explode.

• Brown Paper

- Avoid using brown paper bags.
- They absorb too much heat and could burn.

• Flawed or Chipped Cookware

- Any container that is cracked, flawed, or chipped may break in the oven.

• Metal Twist Ties

- Remove metal twist ties from plastic or paper bags.
- They become hot and could cause a fire.

Testing Cookware before Use

Most heat resistant and non-metallic cookware is safe for use in your oven. However, some cookware may contain materials that are not suitable for microwave use. Follow the steps below to find out if cookware can be used in the microwave.

- 1 Place the container in question and a glass measuring cup filled with water next to each other inside the oven.
- 2 Heat the container and glass measuring cup for 1 minute at HIGH power.
 - If the water heats up but the container remains cool to the touch, the container is microwave-safe.
 - If the temperature of the water does not change but the container becomes warm, it is not safe for use in the microwave oven.

CAUTION

- Some items with high lead or iron content are not suitable for microwave cooking.
- Cookware should be checked to ensure that it is suitable for use in the microwave.
- Always be careful when taking cookware out of the oven. Some dishes absorb heat from the cooked food and may be hot.

Cooking Guide

Cooking Tips

Carefully monitor the food in the microwave oven while it is cooking. Directions given in recipes to elevate, stir, etc., are the minimum steps recommended. If food is overcooked (dry), undercooked, or unevenly cooked, make adjustments before or during cooking to correct the problem. Ensure food reaches an internal temperature of 165 °F for safe consumption when cooking and reheating.

- **Overcooked or Dry Food**
 - **Sprinkling:** Sprinkle low-moisture foods such as roasts and vegetables with water before cooking, or cover them to retain moisture.
 - **Density:** Light, porous food such as cakes and breads cook more quickly than heavy, dense foods such as roasts and casseroles.

- **Shielding:** Cover the corners of square dishes with small strips of aluminum foil to prevent overcooking. Don't use too much foil, and secure the foil to the dish. Foil can cause arcing if it gets too close to the oven walls during cooking.
- **Bones and Fat:** Bones conduct heat, and fat cooks more quickly than meat. Take care with bony or fatty cuts of meat.
- **Undercooked Food**
 - **Covering:** Cover food with a microwave-safe lid, parchment paper (not waxed paper), or plastic wrap to trap heat and steam and cook food more quickly.
 - **Standing Time:** Let food stand for several minutes after being removed from the oven to allow it to finish cooking and help flavors blend and develop.
 - **Quantity:** The more food you place in the oven, the longer the required cooking time.
 - **Temperature:** Ice-cold ingredients take much longer to cook than room temperature ingredients.
- **Unevenly Cooked Food**
 - **Stirring:** Stir food from the outside toward the center during cooking, as food at the outside of the dish heats more quickly.
 - **Arranging:** Turn food over several times during cooking. The upper portion of thick foods cooks more quickly than the lower portion.
 - **Shaping:** Place the thickest portions of foods like meat, poultry or fish toward the outside of the cookware to help them cook more evenly. If possible, shape foods into thin rounds or rings.
- **Foods with Skin, Shell or Membrane**
 - **Skin or Membrane:** Pierce the outsides of foods like potatoes, sausages, or egg whites or yolks before cooking.
 - **Shell:** Pierce or remove the shells from eggs, clams, oysters, or other shelled foods before cooking.
- **Defrosting Tips**
 - Remove fish, shellfish, meat, and poultry from its original wrapping paper or plastic package. Otherwise, the wrap close to the foods will hold steam and heat, which can cause the outer surface of the foods to be cooked.
 - Remove any metal twist ties.
 - Always slit or pierce plastic pouches or packaging.

20 OPERATION

- Open containers such as cartons before they are placed in the oven.
- If food is foil wrapped, remove foil and place the food in a suitable container.
- The length of defrosting time varies depending on the shape of the food and on how solidly the food is frozen.
- As food begins to defrost, separate the food into pieces so that they can defrost more easily.
- Turn over food during defrosting or standing time. Separate into pieces and remove food as required.
- Let food stand after defrosting. Food should still be somewhat icy in the center when removed from the oven.
- When using Defrost, the weight to be entered is the net weight in pounds and tenths of pounds (the weight of the food minus the container).
- Slit the skins of frozen food such as sausage.
- Bend plastic pouches of food to ensure even defrosting.
- Place food in a shallow container or in a microwave roasting dish to catch the drippings.
- Always underestimate defrosting time. Food should still be somewhat icy in the center when removed from the oven. If defrosted food is still frozen solid in the center, return it to the microwave oven for more defrosting.
- Depending on the shape of the food, some areas may defrost more quickly than others.
- The shape of the package affects how quickly food will defrost. Shallow packages will defrost more quickly than a deep block.
- For best results, shape ground meat into the form of a doughnut before freezing. When defrosting, scrape off thawed meat when the beep sounds and continue defrosting.
- Use small pieces of aluminum foil to shield parts of food such as chicken wings, leg tips, fish tails, or areas that start to get warm. Make sure the foil does not touch the sides, top, or bottom of the oven. The foil can damage the oven lining.

Precautions

WARNING

- Do not use your microwave oven to cook eggs in the shell. Pressure can build up inside the shell, causing it to burst.
- Never operate the oven when it is empty. Food or water should always be in the oven during operation to absorb the microwave energy.
- To program the oven, press the center of each button firmly. When a button is pressed correctly, a beep sounds and the oven is activated. Do not press several buttons at once.
- Do not strike the control panel with silverware, utensils, etc. It may be damaged or broken.
- Always be careful when taking cookware out of the oven. Some dishes absorb heat from the cooked food and may be hot. See the Cookware Guide section for more information.
- To avoid breakage, allow cookware to cool before rinsing or submerging in water. Always allow the turntable to cool before removing it from the oven.
- Do not use the oven to dry newspapers or clothes. They may catch fire.
- Use thermometers that have been approved for microwave oven cooking.
- The turntable must always be in place when you operate the oven.

SMART FUNCTIONS

LG ThinQ Application

This feature is only available on models with Wi-Fi.

The **LG ThinQ** application allows you to communicate with the appliance using a smartphone.

LG ThinQ Application Features

- **Settings**
 - Allows you to set various options on the oven and in the application.
- **Smart Diagnosis™**
 - This function provides useful information for diagnosing and solving issues with the appliance based on the pattern of use.
- **Monitoring**
 - This function helps you check the current status, remaining time, cook settings and end time in one place.
- **Product Notifications**
 - Turn on the Push Alerts to receive appliance status notifications. The notifications are triggered even if the **LG ThinQ** application is not open.
- **Timer**
 - You can set the timer from the application.
- **Firmware Update**
 - Keep the appliance updated.

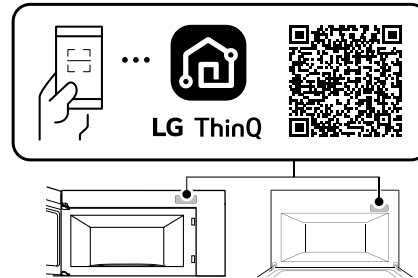
NOTE

- In the following cases, you must update the network information for each appliance in the **LG ThinQ** application under **Device Cards** → **Settings** → **Change Network**.
 - wireless router is changed
 - wireless router password is changed
 - Internet service provider is changed
- This information is current at the time of publication. The application is subject to change for product improvement purposes without notice to users.

Installing LG ThinQ Application and Connecting an LG Appliance

Models with QR Code

Scan the QR code attached to the product using the camera or a QR code reader application on your smartphone.



Models without QR Code

- 1** Search for and install the **LG ThinQ** application from the Google Play Store or Apple App Store on a smartphone.
- 2** Run the **LG ThinQ** application and sign in with your existing account or create an LG account to sign in.
- 3** Touch the add (+) button on the **LG ThinQ** application to connect your LG appliance. Follow the instructions in the application to complete the process.

NOTE

- To verify the Wi-Fi connection, check that the Wi-Fi icon on the control panel is lit.
- The appliance supports 2.4 GHz Wi-Fi networks only. To check your network frequency, contact your Internet service provider or refer to your wireless router manual.
- **LG ThinQ** is not responsible for any network connection problems or any faults, malfunctions, or errors caused by network connection.
- The surrounding wireless environment can make the wireless network service run slowly.
- If the distance between the appliance and the wireless router is too far, the signal becomes weak. It may take a long time to connect or fail to install the application.

22 SMART FUNCTIONS

NOTE

- If the appliance is having trouble connecting to the Wi-Fi network, it may be too far from the router. Purchase a Wi-Fi repeater (range extender) to improve the Wi-Fi signal strength.
- The network connection may not work properly depending on the Internet service provider.
- The Wi-Fi may not connect or the connection may be interrupted because of the home network environment.
- If the appliance cannot be connected due to problems with the wireless signal transmission, unplug the appliance and wait about a minute before trying again.
- If the firewall on your wireless router is enabled, disable the firewall or add an exception to it.
- The wireless network name (SSID) should be a combination of English letters and numbers. (Do not use special characters.)
- Smartphone user interface (UI) may vary depending on the mobile operating system (OS) and the manufacturer.
- If the security protocol of the router is set to **WEP**, network setup may fail. Change the security protocol (**WPA2** is recommended), and connect the product again.

Radio Equipment Specifications

Type	Operating Frequency Range	Output Power (Max.)
Wireless LAN	2400 MHz - 2472 MHz	< 1 W
Bluetooth†	2400 MHz - 2483.5 MHz	

† This feature is only available on some models.

Industry Canada Statement

This device contains licence-exempt transmitter(s)/ receiver(s) that comply with Innovation, Science and Economic Development Canada's licence-exempt RSS(s). Operation is subject to the following two conditions:

- (1) This device may not cause interference.
- (2) This device must accept any interference, including interference that may cause undesired operation of the device.

IC Radiation Exposure Statement

This equipment complies with IC radiation exposure limits set forth for an uncontrolled environment.

This equipment should be installed and operated with a minimum distance of 20 cm (7.8 inches) between the antenna and your body.

NOTE

- THE MANUFACTURER IS NOT RESPONSIBLE FOR ANY RADIO OR TV INTERFERENCE CAUSED BY UNAUTHORIZED MODIFICATIONS TO THIS EQUIPMENT. SUCH MODIFICATIONS COULD VOID THE USER'S AUTHORITY TO OPERATE THE EQUIPMENT.



Open Source Software Notice Information

To obtain the source code that is contained in this product, under GPL, LGPL, MPL, and other open source licenses that have the obligation to disclose source code, and to access all referred license terms, copyright notices and other relevant documents, please visit <https://opensource.lge.com>.

LG Electronics will also provide open source code to you on CD-ROM for a charge covering the cost of performing such distribution (such as the cost of media, shipping, and handling) upon email request to opensource@lge.com.

This offer is valid to anyone in receipt of this information for a period of three years after our last shipment of this product.

Smart Diagnosis™ Feature

This feature is only available on models with the  or  logo.

Use this feature to help you diagnose and solve problems with your appliance.

NOTE

- For reasons not attributable to LGE's negligence, the service may not operate due to external factors such as, but not limited to, Wi-Fi unavailability, Wi-Fi disconnection, local app store policy, or app unavailability.
- The feature may be subject to change without prior notice and may have a different form depending on where you are located.

Using LG ThinQ to Diagnose Issues

If you experience a problem with your Wi-Fi equipped appliance, it can transmit troubleshooting data to a smartphone using the **LG ThinQ** application.

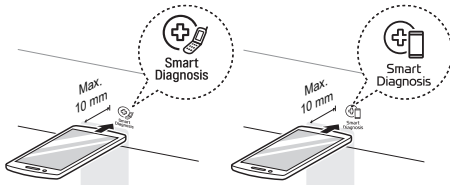
- Launch the **LG ThinQ** application and select the **Smart Diagnosis** feature in the menu. Follow the instructions provided in the **LG ThinQ** application.

Using Audible Diagnosis to Diagnose Issues

Follow the instructions below to use the audible diagnosis method.

- Launch the **LG ThinQ** application and select the **Smart Diagnosis** feature in the menu. Follow the instructions for audible diagnosis provided in the **LG ThinQ** application.

- 1** Press the **START/Enter** button for three seconds.
 - If the display has been locked, you must deactivate the lock and then reactivate it.
- 2** Hold the mouthpiece of your phone in front of the **Smart Diagnosis** logo located on the control panel.



- 3** Keep the phone in place until the tone transmission has finished. The display will count down the time. Once the countdown is over and the tones have stopped, the diagnosis will be displayed in the application.

NOTE

- For best results, do not move the phone while the tones are being transmitted.

24 MAINTENANCE

MAINTENANCE

Cleaning

Cleaning the Interior

- 1 Use a damp cloth to clean the surfaces of the door and wipe out crumbs between the door and the frame.
- 2 Remove greasy spatters with a soapy cloth and then rinse and dry.
 - Wipe spatters immediately with a wet paper towel, especially after cooking chicken or bacon.
 - If steam accumulates inside or outside of the oven door, wipe the panels with a soft cloth.
 - For stubborn soil, boil a cup of water in the oven for 2 to 3 minutes. Steam will soften the soil. To get rid of odors inside the oven, boil a cup of water with some lemon juice or vinegar in it.
 - If some induction cleaners containing abrasives are used, the appearance of the product may be damaged.

Cleaning the Exterior

- 1 Clean the outside of the oven with soap and water.
- 2 Rinse with clean water and dry with a soft cloth or paper towel.
 - To prevent damage to the internal working parts of the oven, do not allow water to seep into the ventilation openings.
 - The door and door seals should be kept clean. Use warm, soapy water to clean. Rinse off soap residue and dry thoroughly.
 - Frequently wipe metal parts with a damp cloth.

Cleaning the Control Panel

- 1 Open the door to prevent the oven from accidentally starting.

- 2 Wipe with a damp cloth followed immediately by a dry cloth.

- 3 Press **STOP/Clear** after cleaning.

Cleaning the Accessories

Wash the glass tray and rotating ring in mild, sudsy water. For heavily soiled areas, use a mild cleanser and scouring sponge. Dry completely before use.

- The glass tray and rotating ring are dishwasher safe.

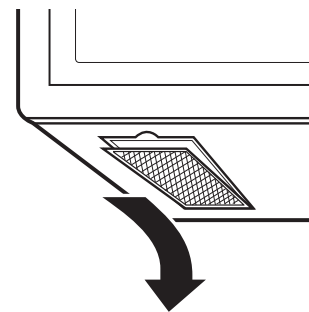
NOTE

- Abrasive cleansers, steel wool pads, gritty wash cloths, some paper towels, and other abrasive surfaces can damage the control panel and the interior and exterior oven surfaces.

Cleaning the Grease Filters

Filters should be cleaned at least once a month or more often if needed.

- 1 To remove, slide the grease filter back slightly and pull it downward.



- 2 Soak grease filters in hot water and a mild detergent.

- 3 Rinse well and shake to dry.

- Do not use ammonia or place in a dishwasher. The aluminum will darken.

- 4** To reinstall, slide the filter in on the back side and push it upward to secure it.

NOTE

- Do not operate the hood without the filters in place.

- 5** Slide the bottom of the vent cover into place. Push the top until it snaps into place. Tighten the screw to secure the vent grille in place.

- 6** Close the oven door, plug in the power cord and set the clock.

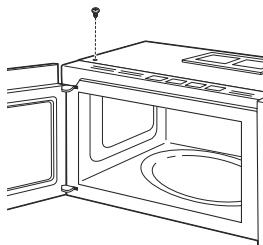
ENGLISH

Replacing Parts

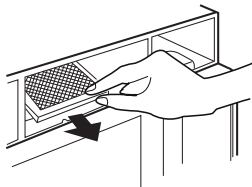
Replacing the Charcoal Filter

If your oven is vented inside, the charcoal filter should be replaced every 6 to 12 months, and more often if necessary. The charcoal filter cannot be cleaned. To order a new charcoal filter, contact an LG Customer Information Center or visit the lg.com website.

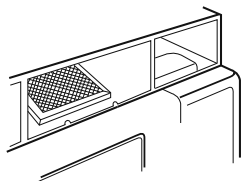
- 1** Unplug the power cord and wear gloves.
- 2** Remove the vent cover screw. Open the oven door, hold both sides of the vent cover and remove it.



- 3** Remove the old charcoal filter.

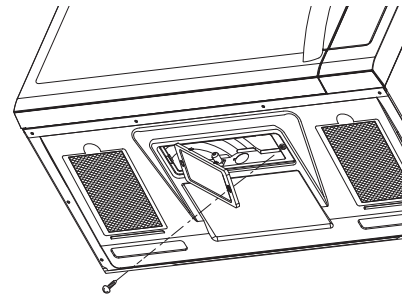


- 4** Slide a new charcoal filter into place.



Replacing the Cooktop Light

- 1** Unplug the power cord and wear gloves before replacing the light.
- 2** Remove the bulb cover screws and open the bulb cover.



- 3** Replace the bulb.
 - Use a 130 V, 50 W halogen bulb.
- 4** Close the bulb cover, and tighten the bulb cover screws in place.
- 5** Plug in the power cord and set the clock.

26 TROUBLESHOOTING

TROUBLESHOOTING

FAQs

Frequently Asked Questions

Q: Will the oven be damaged if it operates while empty?

A: Yes. Never operate the oven while it is empty or without the glass tray.

Q: Does microwave energy pass through the viewing screen in the door?

A: No. The metal screen bounces the energy back to the oven cavity. The holes (or ports) allow only light to pass through. They do not let microwave energy pass through.

Q: Why do I see a light reflection around the outer case?

A: This light is from the oven light which is located between the oven cavity and the outer wall of the oven.

Q: What are the various sounds I hear when the oven is operating?

A: The clicking sound is caused by a mechanical switch turning the microwave oven's magnetron ON and OFF. The heavy hum and clunk is from the change in power the magnetron draws as it is turned ON and OFF by a mechanical switch. The change in blower speed is from the change in line voltage caused by the magnetron being turned ON and OFF.

Q: Can my oven be damaged if food is cooked for too long?

A: Like any other cooking appliance, it is possible to overcook food to the point that the food creates smoke and even possibly fire, and damages the inside of the oven. It is always best to be near the oven while you are cooking.

Q: Why is a standing time recommended after microwave cooking time is over?

A: Standing time allows foods to continue cooking evenly for a few minutes after the actual microwave oven cooking cycle. The amount of standing time depends upon the density of the foods.

Q: Why is additional time required for cooking food stored in the refrigerator?

A: As in conventional cooking, the initial temperature of food affects total cooking time. You need more time to cook food taken out of a refrigerator than for food at room temperature.

Q: Sometimes the door of my oven appears wavy. Is this normal?

A: This appearance is normal and does not affect the operation of your oven.

Q: Why does the glass tray not move?

A: The correct side of the tray should be facing up and the tray should sit firmly on the center hub. The support is not operating correctly. Reinstall the glass tray and restart the oven. Cooking without the glass tray can give you poor results. On some models, the turntable may be turned off. See Setting the Turntable in the Operation section.

Q: Why does the dish become hot when I microwave food in it? I thought that this should not happen.

A: As the food becomes hot it will conduct the heat to the dish. Use hot pads to remove food after cooking.

Q: What does standing time mean?

A: Standing time means that food should be taken out of the oven and covered for additional time after cooking. This process allows the cooking to finish, saves energy, and frees the oven for other purposes.

Q: Can I pop popcorn in my oven? How do I get the best results?

A: Yes. Pop packaged microwave popcorn following manufacturer's guidelines or use the preprogrammed Popcorn button. Do not use regular paper bags. Use the listening test by stopping the oven as soon as the popping slows to a pop every one or two seconds. Do not try to repop unpopped kernels. You can also use special microwave poppers. When using a popper, be sure to follow manufacturer's directions. Do not pop popcorn in glass utensils.

Q: Why does steam come out of the air exhaust vent?

A: Steam is normally produced during cooking. The oven has been designed to vent steam out of the vent.

Q: Why aren't the function buttons working?

A: Make sure that the oven is not in Control Lock mode. "Loc" will show in the display if Control Lock is activated. To deactivate Control Lock, press and hold **STOP/Clear** for three seconds.

28 TROUBLESHOOTING

Before Calling for Service

Review this section before calling for service; doing so will save you both time and money.

For detailed information or videos, visit www.lg.com for the troubleshooting page.

Operation

Problem	Possible Cause & Solution
Microwave oven does not start	Power cord is unplugged, door is open, or cooking time has not been set. <ul style="list-style-type: none"> Plug in power cord or check for a blown circuit fuse or a tripped main circuit breaker. Close oven door. Set cooking time.
	Timer function started. <ul style="list-style-type: none"> If the display shows a time counting down but the oven is not cooking, check to see if a Timer function has been started instead of a cooking function.
Oven light does not work	Power cord is unplugged. <ul style="list-style-type: none"> Plug in power cord.
Arcing or Sparking	Cookware is not microwave safe, or the oven is being operated while it is empty. <ul style="list-style-type: none"> Use microwave-safe cookware. When in doubt, test cookware before use. Do not operate oven while it is empty.
	Wire twist-ties have not been removed from paper or plastic bags, or the metal rack was installed improperly. <ul style="list-style-type: none"> Remove wire twist-ties from paper or plastic bags. Place the rack securely in the four plastic supports.
Incorrect Time of Day	Power interruption. <ul style="list-style-type: none"> Reset the time. See Setting the Clock section to reset time of day.
Unevenly Cooked Foods	Cookware is not microwave safe, or cook settings were wrong. <ul style="list-style-type: none"> Test cookware to make sure it is microwave safe. Do not cook without the glass tray. Turn or stir food while cooking. Defrost food completely before cooking. Use correct cook time and power level. Check position of aluminum strips used to prevent overcooking.
Overcooked Foods	Cooking settings and methods are wrong. <ul style="list-style-type: none"> Change cook time or power level.
Undercooked Foods	Cookware is not microwave safe, or cook settings were wrong. <ul style="list-style-type: none"> Test that cookware is microwave safe. Defrost food completely before cooking. Change cook time or power level. Make sure that ventilation ports are not blocked.
Improper Defrosting	Cookware is not microwave safe, or cook settings were wrong. <ul style="list-style-type: none"> Test that cookware is microwave safe. Change defrost time or weight. Turn or stir food during defrost cycle.

Problem	Possible Cause & Solution
Moisture collects on oven window or steam comes from oven vent	<p>This happens when cooking foods high in moisture.</p> <ul style="list-style-type: none"> This is normal.

Wi-Fi

Problem	Possible Cause & Solution
Trouble connecting appliance and smartphone to Wi-Fi network	<p>The password for the Wi-Fi network was entered incorrectly.</p> <ul style="list-style-type: none"> Delete your home Wi-Fi network and begin the connection process again.
	<p>Mobile data for your smartphone is turned on.</p> <ul style="list-style-type: none"> Turn off the Mobile data on your smartphone before connecting the appliance.
	<p>The wireless network name (SSID) is set incorrectly.</p> <ul style="list-style-type: none"> The wireless network name (SSID) should be a combination of English letters and numbers. (Do not use special characters.)
	<p>The router frequency is not 2.4 GHz.</p> <ul style="list-style-type: none"> Only a 2.4 GHz router frequency is supported. Set the wireless router to 2.4 GHz and connect the appliance to the wireless router. To check the router frequency, check with your Internet service provider or the router manufacturer.
	<p>The appliance and the router are too far apart.</p> <ul style="list-style-type: none"> If the appliance is too far from the router, the signal may be weak and the connection may not be configured correctly. Move the router closer to the appliance or purchase and install a Wi-Fi repeater.
	<p>During Wi-Fi setup, the app is requesting a password to connect to the product (on certain phones).</p> <ul style="list-style-type: none"> Locate the network name which starts with "LG" under Settings > Networks. Note the last part of the network name. <ul style="list-style-type: none"> If the network name looks like LGE_Appliance_XX-XX-XX, enter lge12345. If the network name looks like LGE_Appliance_XXXX, enter XXXX twice as your password. For example, if the network name appears as LGE_Appliance_8b92, then you would enter 8b928b92 as your password. In this instance, the password is case sensitive and the last 4 characters are unique to your appliance.

LIMITED WARRANTY

CANADA

TERMS AND CONDITIONS

ARBITRATION NOTICE: THIS LIMITED WARRANTY CONTAINS AN ARBITRATION PROVISION THAT REQUIRES YOU AND LG TO RESOLVE DISPUTES BY BINDING ARBITRATION INSTEAD OF IN COURT, UNLESS THE LAWS OF YOUR PROVINCE OR TERRITORY DO NOT PERMIT THAT, OR, IN OTHER JURISDICTIONS, IF YOU CHOOSE TO OPT OUT. FOR FURTHER CLARITY, THIS ARBITRATION PROVISION IS NOT APPLICABLE TO CONSUMERS RESIDING IN ONTARIO, BRITISH COLUMBIA OR QUÉBEC. IN ARBITRATION, CLASS ACTIONS AND JURY TRIALS ARE NOT PERMITTED. PLEASE SEE THE SECTION TITLED "PROCEDURE FOR RESOLVING DISPUTES" BELOW.

QUEBEC ONLY: LG stands behind its products and makes every reasonable effort to ensure its products can be maintained and repaired, as required. You may access the catalogue of available parts and services at https://www.lg.com/ca_en/support/. HOWEVER, LG IN NO WAY GUARANTEES AND MAKES NO REPRESENTATIONS REGARDING THE AVAILABILITY OF ANY SPECIFIC SPARE OR REPLACEMENT PART, REPAIR SERVICE OR INFORMATION OR INSTRUCTIONS FOR SUCH MAINTENANCE AT ANY TIME. LG EXPRESSLY DISCLAIMS ANY GUARANTEE, WARRANTY OR OBLIGATION IN RESPECT OF THAT AVAILABILITY.

Should your LG Microwave Oven ("Product") fail due to a defect in materials or workmanship under normal and proper use, during the warranty period set forth below, LG Electronics Canada, Inc. ("LGECI") will, at its option, repair or replace the Product upon receipt of proof of the original retail purchase. This limited warranty is valid only to the original retail purchaser of the Product and applies only to a Product distributed, purchased and used within Canada, as determined at the sole discretion of LGECI.

WARRANTY PERIOD: (Note: If the original date of purchase cannot be verified, the warranty will begin sixty (60) days from the date of manufacture).	
Over-the-Range / All Convection / Microwaves in Built-in application / All other Microwave Oven	Extended Component Warranty (Parts Only)
One (1) year from the date of original retail purchase	Ten (10) years from the date of original retail purchase
Parts and Labor (In-Home; OTR & Convection) (internal/functional parts only)	Inverter Magnetron Only

- Replacement products and parts are warranted for the remaining portion of the original warranty period or ninety (90) days, whichever is greater.
- Replacement products and parts may be new, reconditioned, refurbished, or otherwise factory remanufactured, all at the sole discretion of LGECI.
- Proof of original retail purchase specifying the Product model and date of purchase is required to obtain warranty service under this Limited Warranty.

DISCLAIMER:

IF YOU ARE A CONSUMER SUBJECT TO QUÉBEC, BRITISH COLUMBIA OR ONTARIO'S CONSUMER PROTECTION LEGISLATION, THE EXCLUSION OF WARRANTIES CONTAINED IN THIS SECTION DO NOT EXCLUDE OR LIMIT THE RIGHTS AND REMEDIES THAT YOU MAY HAVE UNDER SUCH ACT, INCLUDING THE RIGHT TO MAKE A CLAIM UNDER ANY OF THE STATUTORY WARRANTIES PROVIDED THEREUNDER.

LGECI'S SOLE LIABILITY IS LIMITED TO THE LIMITED WARRANTY SET OUT ABOVE, UNLESS SUCH LIMITATION IS PROHIBITED BY THE LAWS OF THE PROVINCE IN WHICH YOU RESIDE. EXCEPT AS EXPRESSLY PROVIDED ABOVE, OR IF OTHERWISE PROHIBITED BY THE LAW OF THE PROVINCE IN WHICH YOU RESIDE, LGECI DOES NOT MAKE ANY OTHER WARRANTIES OR CONDITIONS RESPECTING THE PRODUCT, AND HEREBY DISCLAIMS, ALL OTHER WARRANTIES AND CONDITIONS RESPECTING THE PRODUCT, WHETHER EXPRESS OR IMPLIED, INCLUDING BUT NOT LIMITED TO, ANY IMPLIED WARRANTY OR CONDITION OF MERCHANTABILITY OR FITNESS FOR A PARTICULAR PURPOSE, AND

NO REPRESENTATIONS SHALL BE BINDING ON LGECI. LGECI DOES NOT AUTHORIZE ANY PERSON TO CREATE OR ASSUME FOR IT ANY OTHER WARRANTY OBLIGATION OR LIABILITY IN CONNECTION WITH THE PRODUCT. TO THE EXTENT THAT ANY WARRANTY OR CONDITION IS IMPLIED BY LAW, IT IS LIMITED TO THE WARRANTY PERIOD SET OUT ABOVE. UNDER NO CIRCUMSTANCES SHALL LGECI, THE MANUFACTURER OR DISTRIBUTOR OF THE PRODUCT, BE LIABLE FOR ANY INCIDENTAL, CONSEQUENTIAL, SPECIAL, DIRECT, INDIRECT, PUNITIVE OR EXEMPLARY DAMAGES, INCLUDING, WITHOUT LIMITATION, LOSS OF GOODWILL, LOST PROFITS, LOSS OF ANTICIPATED PROFITS, LOST REVENUE, LOSS OF USE, OR ANY OTHER DAMAGE, WHETHER ARISING DIRECTLY OR INDIRECTLY FROM ANY CONTRACTUAL BREACH, FUNDAMENTAL BREACH, TORT OR OTHERWISE, OR FROM ANY ACTS OR OMISSIONS. LGECI'S TOTAL LIABILITY, IF ANY, SHALL NOT EXCEED THE PURCHASE PRICE PAID BY YOU FOR THE PRODUCT.

This Limited Warranty gives you specific legal rights. You may also have other rights that vary from province to province depending on applicable provincial laws. Any term of this Limited Warranty that negates or varies any implied condition or warranty under provincial law is severable where it conflicts with such provincial law without affecting the remainder of this warranty's terms.

THIS LIMITED WARRANTY DOES NOT COVER:

- Service trips to i) deliver, pick up, or install or; educate on how to operate the Product; ii) correct wiring; or iii) correct unauthorized repairs or installations of the Product;
- Damage or failure of the Product to perform during power failures and interrupted or inadequate electrical service;
- Damage or failure resulting from operating the Product in a corrosive atmosphere or contrary to the instructions outlined in the Product's owner's manual;
- Damage or failure to the Product caused by accidents, pests and vermin, lightning, wind, fire, floods, acts of God, or any other causes beyond the control of LGECI or the manufacturer;
- Damage or failure resulting from misuse, abuse, improper installation, repair, or maintenance of the Product. Improper repair includes use of parts not authorized or specified by LGECI. Improper installation or maintenance includes installation or maintenance contrary to the Product's owner's manual;
- Damage or failure caused by unauthorized modification or alteration of the Product, or if used for other than the intended household purpose/use of the Product, or damage or failure resulting from any water leakage due to improper installation of the Product;
- Damage or failure caused by incorrect electrical current, voltage or ventilation codes;
- Damage or failure caused by use that is other than normal household use, including, without limitation, commercial or industrial use, including use in commercial offices or recreational facilities, or as otherwise outlined in the Product's owner's manual;
- Damage or failure caused by transportation and handling, including scratches, dents, chips and/or other damage to the finish of the Product, unless such damage results from defects in materials or workmanship and is reported to LGECI within one (1) week of delivery of the Products;
- Damage or missing items to any display, open box, refurbished or discounted Product;
- Refurbished Product or any Product sold "As Is", "Where Is", "With all Faults", or any similar disclaimer;
- Products with original serial numbers that have been removed, altered or cannot be readily determined at the discretion of LGECI;
- Increases in utility costs and additional utility expenses in any way associated with the Product;
- Any noises associated with normal operation of the Product;
- Replacement of light bulbs, filters, fuses or any other consumable parts;
- Replacement of any part that was not originally included with the Product;
- Costs associated with removal and/or reinstallation of the Product for repairs; and
- Shelves, drawers, handle and accessories to the Product, except for internal/functional parts covered under this Limited Warranty.

32 LIMITED WARRANTY

- Coverage for "in Home" repairs, for products in-warranty, will be provided if the Product is within a 150 km radius from the nearest authorized service center (ASC), as determined by LG Canada. If your Product is located outside a 150 km radius from a ASC, as determined by LG Canada, it will be your responsibility to bring the Product, at your sole expense, to the ASC for in-warranty repair.

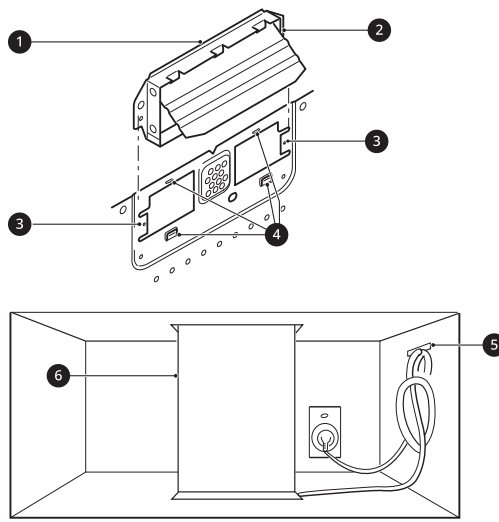
All costs and expenses associated with the above excluded circumstances, listed under the heading, This Limited Warranty Does Not Cover, shall be borne by the consumer.

TO OBTAIN WARRANTY SERVICE AND ADDITIONAL INFORMATION, PLEASE CALL OR VISIT OUR WEBSITE:

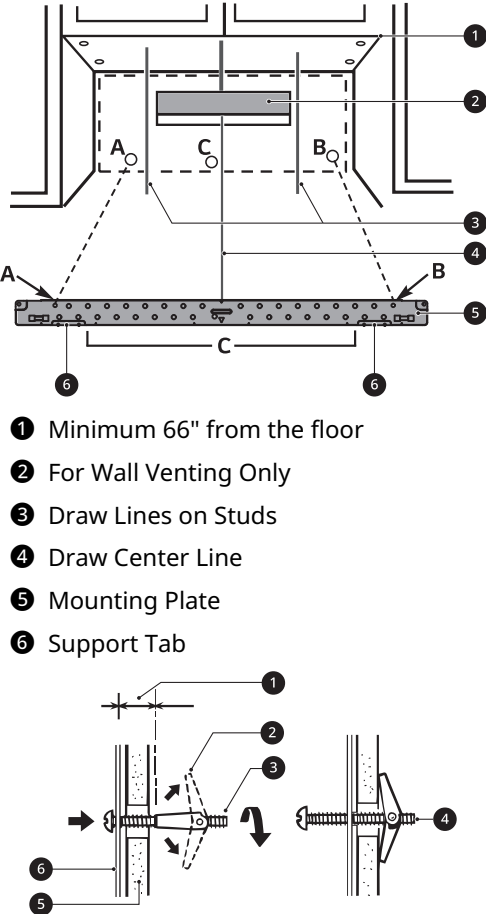
Call [1-888-542-2623](tel:1-888-542-2623) (8 am - 9 pm EST, 365 days) and select the appropriate option from the menu, or visit our website at <http://www.lg.com>

NOT COVERED BY WARRANTY

Problem	Cause	Solution
Unit has no power	<ul style="list-style-type: none"> • House power turned off (power supply) • Tripped breaker. • The power cord is not installed properly. 	<ul style="list-style-type: none"> • Check house power supply. • Check proper power cord connection. • Check extension cord.
Spark / Arcing	Aluminum foil or metal utensil used in microwave mode.	<ul style="list-style-type: none"> • Check user instructions. • DO NOT use aluminum foil or metal utensils in microwave mode.

Problem	Cause	Solution
<p>Vent is not working.</p> <ul style="list-style-type: none"> • Weak or no ventilation. • Abnormal noise during operation. • Product overheating. 	<ul style="list-style-type: none"> • Improper blower unit direction or installation. • Improper ductwork or damper connection.  <ol style="list-style-type: none"> Exhaust Adapter Damper (hinge side up) Guides Locking Tabs Cable Clamping for Power Cord Duct 	<ul style="list-style-type: none"> • Check blower unit direction and reinstall if necessary. • Properly align the exhaust operation ports and blower plate opening. • Blower unit exhaust ports should be completely exposed to the outside. • After installation, check the air ventilation path

34 LIMITED WARRANTY

Problem	Cause	Solution
<p>Microwave oven installation issue.</p> <ul style="list-style-type: none"> • Vibration noise • Unit is not level • Installation damage 	<ul style="list-style-type: none"> • Mounting bracket screw not fixed completely. • Mounting plate not aligned. <ul style="list-style-type: none"> - 3/16" Hole on Studs, 5/8" Hole on Drywall Only  <ol style="list-style-type: none"> 1 Minimum 66" from the floor 2 For Wall Venting Only 3 Draw Lines on Studs 4 Draw Center Line 5 Mounting Plate 6 Support Tab <ol style="list-style-type: none"> 1 Space More Than Wall Thickness 2 Toggle Wings 3 Toggle Bolt 4 Bolt End 5 Wall 6 Mounting Plate <ul style="list-style-type: none"> • Product carried/installed improperly. 	<p>Check with installer first.</p>

PROCEDURE FOR RESOLVING DISPUTES:

EXCEPT WHERE PROHIBITED AT LAW (INCLUDING WITH RESPECT TO QUÉBEC, BRITISH COLUMBIA AND ONTARIO CONSUMERS), ALL DISPUTES BETWEEN YOU AND LG ARISING OUT OF OR RELATING IN ANY WAY TO THIS LIMITED WARRANTY OR THE PRODUCT SHALL BE RESOLVED EXCLUSIVELY THROUGH BINDING ARBITRATION, AND NOT IN A COURT OF GENERAL JURISDICTION. EXCEPT WHERE PROHIBITED AT LAW (INCLUDING WITH RESPECT TO QUÉBEC, BRITISH COLUMBIA AND ONTARIO CONSUMERS), YOU AND LG BOTH IRREVOCABLY AGREE TO WAIVE THE RIGHT TO A JURY TRIAL AND TO BRING OR PARTICIPATE IN A CLASS ACTION.

Definitions. For the purposes of this section, references to “LG” mean LG Electronics Canada, Inc., its parents, subsidiaries and affiliates, and each of their officers, directors, employees, agents, beneficiaries, predecessors in interest, successors, assigns and suppliers; references to “dispute” or “claim” shall include any dispute, claim or controversy of any kind whatsoever (whether based in contract, tort, statute, regulation, ordinance, fraud, misrepresentation or any other legal or equitable theory) arising out of or relating in any way to the sale, condition or performance of the product or this Limited Warranty.

Notice of Dispute. In the event you intend to commence an arbitration proceeding, you must first notify LG in writing at least 30 days in advance of initiating the arbitration by sending a letter to LGECI Legal Team at 20 Norelco Drive, North York, Ontario, Canada M9L 2X6 (the “Notice of Dispute”). You and LG agree to engage in good faith discussions in an attempt to amicably resolve your claim. The notice must provide your name, address, and telephone number; identify the product that is the subject of the claim; and describe the nature of the claim and the relief being sought. If you and LG are unable to resolve the dispute within 30 days of LG’s receipt of the Notice of Dispute, the dispute shall be resolved by binding arbitration in accordance with the procedure set out herein. You and LG both agree that, during the arbitration proceeding, the terms (including any amount) of any settlement offer made by either you or LG will not be disclosed to the arbitrator until the arbitrator determines the dispute.

Agreement to Binding Arbitration and Class Action Waiver. Upon failure to resolve the dispute during the 30 day period after LG’s receipt of the Notice of Dispute, you and LG agree to resolve any claims between you and LG only by binding arbitration on an individual basis, unless you opt out as provided below, or you reside in a jurisdiction that prevents full application of this clause in the circumstances of the claims at issue (in which case if you are a consumer, this clause will only apply if you expressly agree to the arbitration). To the extent permitted by applicable law, any dispute between you and LG shall not be combined or consolidated with a dispute involving any other person’s or entity’s product or claim. More specifically, without limitation of the foregoing, except to the extent such a prohibition is not permitted at law, any dispute between you and LG shall not under any circumstances proceed as part of a class or representative action. Instead of arbitration, either party may bring an individual action in small claims court, but that small claims court action may not be brought on a class or representative basis except to the extent this prohibition is not permitted at law in your province or territory of jurisdiction as it relates to the claims at issue between you and LG. This does not apply to consumers in Ontario, British Columbia and Québec. In accordance with provincial legislation, the consumer and LG may agree to resolve the dispute using any procedure available, including commencing the action before the competent courts of those provinces.

Arbitration Rules and Procedures. To begin arbitration of a claim, either you or LG must make a written demand for arbitration. The arbitration will be private and confidential, and conducted on a simplified and expedited basis before a single arbitrator chosen by the parties under the provincial or territorial commercial arbitration law and rules of the province or territory of your residence. You must also send a copy of your written demand to LG at LG Electronics, Canada, Inc., Attn: Legal Department- Arbitration, 20 Norelco Drive, North York, Ontario M9L 2X6. This arbitration provision is governed by your applicable provincial or territorial commercial arbitration legislation. For consumers in Ontario, British Columbia and Québec, the applicable arbitration legislation only applies if consumers agree to submit the dispute to arbitration. Judgment may be entered on the arbitrator’s award in any court of competent jurisdiction. All issues are for the arbitrator to decide, except that, issues relating to the scope and enforceability of the arbitration provision and to the arbitrability of the dispute are for the court to decide. The arbitrator is bound by the terms of this provision.

Governing Law. The law of the province or territory of your purchase shall govern this Limited Warranty and any disputes between you and LG except to the extent that such law is preempted by or inconsistent with applicable federal or provincial/territorial law. Should arbitration not be permitted for any claim, action, dispute or controversy between you and LG, you and LG attorn to the exclusive jurisdiction of the courts of the province or territory of your purchase for the resolution of the claim, action, dispute or controversy between you and LG.

Fees/Costs. You do not need to pay any fee to begin an arbitration. Upon receipt of your written demand for arbitration, LG will promptly pay all arbitration filing fees unless you seek more than \$25,000 in damages, in which case the payment of these fees will be governed by the applicable arbitration rules. Except as otherwise provided for herein, LG will pay all filing, administration and arbitrator fees for any arbitration initiated in accordance with the applicable arbitration rules and this arbitration provision. If you prevail in the arbitration, LG will pay your attorneys’ fees and expenses as long as they are reasonable, by considering factors including, but not limited to, the purchase amount and claim amount. Notwithstanding the foregoing, if applicable law allows for an award of reasonable attorneys’ fees and expenses, an

36 LIMITED WARRANTY

arbitrator can award them to the same extent that a court would. If the arbitrator finds either the substance of your claim or the relief sought in the demand is frivolous or brought for an improper purpose (as measured by the applicable laws), then the payment of all arbitration fees will be governed by the applicable arbitration rules. In such a situation, you agree to reimburse LG for all monies previously disbursed by it that are otherwise your obligation to pay under the applicable arbitration rules. Except as otherwise provided for, LG waives any rights it may have to seek attorneys' fees and expenses from you if LG prevails in the arbitration.

Hearings and Location. If your claim is for \$25,000 or less, you may choose to have the arbitration conducted solely (1) on the basis of documents submitted to the arbitrator, (2) through a telephonic hearing, or (3) by an in-person hearing as established by the applicable arbitration rules. If your claim exceeds \$25,000, the right to a hearing will be determined by the applicable arbitration rules. Any in-person arbitration hearings will be held at the nearest, most mutually-convenient arbitration location available within the province or territory in which you reside unless you and LG both agree to another location or agree to a telephonic arbitration.

Severability and Waiver. If any portion of this Limited Warranty (including these arbitration procedures) is unenforceable, the remaining provisions will continue in full force and effect to the maximum extent permitted by applicable law. Should LG fail to enforce strict performance of any provision of this Limited Warranty (including these arbitration procedures), it does not mean that LG intends to waive or has waived any provision or part of this Limited Warranty.

Opt Out. The arbitration provision requires you and LG to resolve disputes by binding arbitration instead of court, unless the laws of your province or territory do not permit that, or, in other jurisdictions, if you choose to opt out. The arbitration provision does not apply to consumers in Ontario, British Columbia and Québec.

For individuals that fall within the binding arbitration provisions, you may opt out of this dispute resolution procedure. If you opt out, neither you nor LG can require the other to participate in an arbitration proceeding. To opt out, you must send notice to LG no later than 30 calendar days from the date of the first consumer purchaser's purchase of the product by either (i) sending an e-mail to optout@lge.com, with the subject line: "Arbitration Opt Out;" or (ii) calling 1-800-980-2973. You must include in the opt out e-mail or provide by telephone: (a) your name and address; (b) the date on which the product was purchased; (c) the product model name or model number; and (d) the serial number (the serial number can be found (i) on the product; or (ii) online by accessing https://www.lg.com/ca_en/findmodel_serial/).

In the event that you "Opt Out", the law of the province or territory of your residence shall govern this Limited Warranty and any disputes between you and LG except to the extent that such law is preempted by or inconsistent with applicable federal or provincial/territorial law. Should arbitration not be permitted for any claim, action, dispute or controversy between you and LG, you and LG agree to attorn to the exclusive jurisdiction of the courts of the province or territory of your residence for the resolution of the claim, action, dispute or controversy between you and LG.

You may only opt out of the dispute resolution procedure in the manner described above (that is, by e-mail or telephone); no other form of notice will be effective to opt out of this dispute resolution procedure. Opting out of this dispute resolution procedure will not affect the coverage of the Limited Warranty in any way, and you will continue to enjoy the full benefits of the Limited Warranty. If you keep this product and do not opt out, then you accept all terms and conditions of the arbitration provision described above.

Conflict of Terms. In the event of a conflict or inconsistency between the terms of this Limited Warranty and the End User License Agreement ("EULA") in regards to dispute resolution, the terms of this Limited Warranty shall control and govern the rights and obligations of the parties and shall take precedence over the EULA.



Balayez le code QR pour consulter le manuel.



MANUEL D'UTILISATION

FOUR À MICRO-ONDES

Veillez lire attentivement le présent manuel de l'utilisateur avant de faire fonctionner l'appareil et conservez-le à portée de la main pour le consulter en tout temps.

FRANÇAIS

MVEM182**

www.lg.com

Copyright © 2022-2026 LG Electronics. Tous droits réservés

2

TABLE DES MATIÈRES

3 CONSIGNES DE SÉCURITÉ IMPORTANTES

- 3 LISEZ TOUTES LES CONSIGNES AVANT L'UTILISATION
- 3 AVERTISSEMENTS

8 INSTALLATION

- 8 Aperçu du produit
- 9 Exigences relatives à l'installation

11 FONCTIONNEMENT

- 11 Panneau de commande
- 12 Avant l'utilisation
- 14 Démarrage et arrêt rapides
- 15 Cuisson manuelle
- 15 Mode de cuisson
- 21 Guide des accessoires de cuisson
- 23 Guide de cuisson

25 FONCTIONS INTELLIGENTES

- 25 Application LG ThinQ
- 27 Fonctionnalité Smart Diagnosis^{MC}

28 ENTRETIEN

- 28 Nettoyage
- 29 Pièces de rechange

31 DÉPANNAGE

- 31 FAQ
- 33 Avant d'appeler le réparateur

35 GARANTIE LIMITÉE

- 35 CANADA

MESURES PRÉCISES POUR ÉVITER UNE EXPOSITION POTENTIELLE À UNE ÉNERGIE MICRO-ONDE

- (a) Ne pas tenter de faire fonctionner le four avec la porte ouverte, puisque ceci peut causer une exposition dangereuse à l'énergie micro-ondes. Il est important de ne pas contourner ou modifier les verrouillages de sécurité.
- (b) Ne pas placer d'objet entre le devant du four et la porte, ni laisser la saleté ou des résidus s'accumuler sur les surfaces des joints.
- (c) Ne pas utiliser le four s'il est endommagé. Il est particulièrement important que la porte ferme correctement et que les éléments suivants ne présentent pas de défauts : (1) porte (gauchie), (2) charnières et verrous (brisés ou desserrés), (3) joints et surfaces d'étanchéité de la porte.
- (d) Le four ne doit pas être réglé ni réparé sauf par des personnes qualifiées.

CONSIGNES DE SÉCURITÉ IMPORTANTES

LISEZ TOUTES LES CONSIGNES AVANT L'UTILISATION

FRANÇAIS

Messages de sécurité

Il est très important d'assurer votre sécurité et celle des autres.

Nous fournissons de nombreux conseils de sécurité importants dans ce manuel et sur votre appareil. Lisez toujours l'ensemble des messages de sécurité et respectez-les.

Ceci est le symbole d'alerte de sécurité.



Ce symbole vous alerte de dangers potentiels qui peuvent causer la mort ou des blessures. Tous les messages de sécurité seront précédés du symbole d'alerte de sécurité et du terme AVERTISSEMENT ou ATTENTION.

Ces mots signifient :



AVERTISSEMENT

Vous pouvez être tué ou gravement blessé si vous ne suivez pas les consignes.



ATTENTION

Vous pourriez vous blesser ou endommager le produit si vous ne suivez pas les consignes.

Tous les messages de sécurité vous avertissent d'un danger potentiel et vous disent comment réduire le risque de blessure, ainsi que ce qui peut arriver si les instructions ne sont pas suivies.

AVERTISSEMENTS

AVERTISSEMENT

- Pour réduire les risques d'explosion, d'incendie, de mort, de décharge électrique, de brûlure ou de blessures lors de l'utilisation de l'appareil, prenez les précautions élémentaires, y compris les suivantes :

Sécurité technique

- Cet appareil ne doit pas être utilisé par des personnes (y compris des enfants) dont les capacités physiques, sensorielles ou mentales sont réduites, ou dont l'expérience et les connaissances sont insuffisantes, sauf sous surveillance ou si des instructions d'utilisation leur ont été données par une personne responsable de leur sécurité. Les enfants doivent être surveillés pour s'assurer qu'ils ne jouent pas avec l'appareil.
- Pour réduire les risques de brûlures, de décharge électrique, de feu, de blessures aux individus ou d'exposition à une énergie micro-onde excessive, lire toutes les directives avant d'utiliser l'appareil.
- Les enfants ne doivent pas être autorisés à jouer avec des accessoires ou à s'accrocher à la porte ou à toute autre partie du four. Le faire peut entraîner des blessures et des dégâts matériels graves. Comme pour tout appareil, une étroite supervision est nécessaire lorsqu'il est utilisé par des enfants.
- Lire et suivre les MESURES PRÉCISES POUR ÉVITER UNE EXPOSITION POTENTIELLE À UNE ÉNERGIE MICRO-ONDE, accessibles à la page 2.
- La mise à la terre de cet appareil est requise. Raccorder cet appareil uniquement à une sortie adéquatement mise à la terre. Voir les « **INSTRUCTIONS DE MISE À LA TERRE** », accessibles à section **Exigences relatives à l'installation**.
- Utiliser cet appareil uniquement pour l'utilisation prévue, telle que décrite dans le manuel. Ne pas utiliser de vapeurs ou de produits chimiques corrosifs dans cet appareil. Ce type de four est spécifiquement conçu pour réchauffer, cuire ou dessécher les aliments. Il n'est pas conçu pour une utilisation industrielle ou en laboratoire.

4 CONSIGNES DE SÉCURITÉ IMPORTANTES

- Pour éviter toute électrocution :
 - Ne pas faire fonctionner cet appareil si son cordon d'alimentation ou sa fiche de branchement sont endommagés, s'il ne fonctionne pas correctement, s'il a été endommagé ou a subi une chute.
 - Ne pas immerger le cordon ou la fiche de branchement dans de l'eau. Éloigner le cordon des surfaces chauffées.
 - Ne pas laisser le cordon pendre de la table ou du comptoir.
- Pour réduire le risque d'incendie dans la cavité du four :
 - Ne pas trop faire cuire les aliments. Rester prudemment près du four lorsqu'on utilise du papier, du plastique ou tout autre matériel combustible pour faciliter la cuisson.
 - Enlever les ligatures métalliques des sachets de plastique ou de papier avant de les placer dans le four.
 - Si les matériaux à l'intérieur du four prennent feu, garder la porte du four fermée, arrêter le four et débrancher le cordon d'alimentation, ou couper l'électricité au fusible ou au panneau d'entrée.
 - Ne pas utiliser la cavité du four comme espace de rangement. Ne pas laisser des produits faits de papier, des ustensiles de cuisson ou des aliments dans la cavité du four lorsque celui-ci n'est pas utilisé.
- Installer et positionner cet appareil uniquement selon les directives d'installation fournies.
- Certains produits comme des œufs entiers, en coquille et des contenants scellés, par exemple des bocaux fermés en verre, sont susceptibles d'exploser et ne devraient pas être réchauffés dans ce four.
- Les liquides comme l'eau, le café ou le thé peuvent être chauffés au-delà du point d'ébullition sans paraître en ébullition. Des bulles ou une ébullition visible ne sont pas toujours présentes quand le contenant est retiré du four à micro-ondes.
- **CELA PEUT PROVOQUER L'ÉBULLITION SOUDAINE DE LIQUIDES TRÈS CHAUDS LORSQUE LE CONTENANT EST AGITÉ OU QUAND UNE CUILLÈRE OU UN AUTRE USTENSILE EST PLONGÉ DANS LE LIQUIDE.**
Pour réduire le risque de blessures:
 - Ne réchauffez pas trop le liquide. Remuez le liquide avant la cuisson et à mi-cuisson.
 - N'utilisez pas de contenants de forme droite avec un col étroit. Faites très attention quand vous plongez une cuillère ou un autre ustensile dans le contenant.
 - Après l'avoir chauffé, laissez le contenant dans le four à micro-ondes pendant quelques instants avant de le retirer.
- Il ne faut pas recouvrir ou obstruer les ouvertures de ventilation de l'appareil.
- Ne rangez pas cet appareil à l'extérieur. N'utilisez pas cet appareil à proximité d'une source d'eau, par exemple près de l'évier de la cuisine, dans un sous-sol humide, à proximité d'une piscine, ou dans tout autre endroit similaire.
- Seul un technicien qualifié peut effectuer une révision de cet appareil. Pour toute opération d'inspection, de réparation ou de réglage, communiquez avec l'établissement de service agréé le plus près.
- Pour le nettoyage des surfaces de la porte et du four qui entrent en contact lors de la fermeture de la porte, utilisez uniquement un savon ou un détergent doux et non abrasif appliqué avec une éponge ou un chiffon doux.
- **DES CONTENUS CHAUDS SONT SUSCEPTIBLES DE CAUSER DES BRÛLURES SÉVÈRES. NE PAS PERMETTRE À DES ENFANTS D'UTILISER LE FOUR MICRO-ONDES.** Faire preuve de prudence lors du retrait des aliments chauds.
- Le four à micro-ondes ne doit être installé qu'au-dessus du plan de travail.

Fonctionnement

- N'utilisez pas ce four à des fins commerciales. Il est conçu pour une utilisation résidentielle seulement.
- Ne faites pas fonctionner le four lorsqu'il est vide.
- Si votre four tombe par terre ou est endommagé, assurez-vous de le faire soigneusement vérifier par un technicien qualifié avant de l'utiliser à nouveau.

- Prenez soin de ne pas vous blesser lorsque vous ouvrez la porte.
- Pour éviter une mauvaise cuisson de certains aliments :
 - Ne chauffez jamais de biberon ou de nourriture pour bébé. Ces aliments pourraient ne pas chauffer uniformément et causer des blessures.
 - Ne pas faire chauffer des récipients à goulot étroit, comme les bouteilles de sirop.
 - Ne faites pas de friture dans le four à micro-ondes.
 - Ne faites pas de mise en conserve maison dans le four à micro-ondes.
- N'utilisez pas le four comme déshumidificateur (p. ex., il ne faut pas mettre de journaux mouillés, des vêtements, des jouets, des appareils électriques, des plantes, de la terre, des animaux ou toute autre matière vivante dans le four à micro-ondes). Le four doit être utilisé uniquement pour chauffer ou cuire des aliments. Une mauvaise utilisation peut entraîner des risques de sécurité tels qu'un incendie, des brûlures ou la mort par électrocution.
- L'appareil et ses parties accessibles deviennent chauds pendant l'utilisation. Prenez des précautions pour éviter de toucher les éléments chauffants à l'intérieur du four. Les enfants doivent être tenus à l'écart à moins d'être supervisés en permanence.
- N'utilisez pas de produits fabriqués à partir de papier recyclé. Ils peuvent contenir des impuretés et produire des étincelles ou s'enflammer quand ils sont utilisés pour la cuisson.
- La porte ou la surface extérieure peuvent devenir chaudes lorsque l'appareil est en marche.
- Un liquide chauffé dans un contenant d'une forme particulière (particulièrement un contenant cylindrique) peut devenir trop chaud. Le liquide peut faire des éclaboussures et émettre un bruit fort pendant ou après avoir été chauffé, ou lors de l'ajout d'un ingrédient (du café instantané par exemple), ce qui peut endommager le four ou entraîner des blessures. Quel que soit le contenant utilisé, pour un résultat optimal, remuez le liquide plusieurs fois avant de le chauffer. Veillez à toujours remuer un liquide plusieurs fois entre les phases de réchauffage.
- **NE TOUCHEZ PAS LES ÉLÉMENTS CHAUFFANTS ET/OU LES SURFACES INTÉRIEURES DU FOUR À MICRO-ONDES.**
 - Pendant l'utilisation du four à micro-ondes, après son utilisation ou lors de son nettoyage ou pendant une utilisation prolongée de la surface de cuisson, ne laissez pas de matériaux inflammables entrer en contact avec les éléments chauffants et/ou les surfaces intérieures du four à micro-ondes avant qu'ils n'aient eu le temps de refroidir. D'autres surfaces, telles que les fenêtres de la porte du four à micro-ondes, la lampe du four, l'éclairage de la surface de cuisson et le bouton d'ouverture de la porte, peuvent également devenir chaudes et causer des brûlures si elles ne sont pas suffisamment refroidies.

Entretien

- Si la porte ou le joint de la porte sont endommagés, le four ne doit pas être utilisé tant qu'il n'aura pas été réparé par un technicien autorisé.
- Le four doit être régulièrement nettoyé et tout débris alimentaire doit être enlevé. Si le four n'est pas maintenu dans un bon état de propreté, sa surface pourrait se dégrader et affecter la durée de vie de l'appareil, en plus de possiblement mener à une situation dangereuse.
- Ne rincez pas les plateaux et les grilles en les plaçant dans l'eau immédiatement après la cuisson. Cela peut les endommager ou les casser. Une utilisation incorrecte peut endommager le four.
- Les aliments ou les ustensiles métalliques surdimensionnés ne doivent pas être insérés dans un four à micro-ondes, car ils peuvent créer un incendie ou un risque de décharge électrique.
- Ne nettoyez pas l'appareil avec des tampons à récurer en métal. Le tampon peut brûler par endroits et toucher des pièces électriques, présentant un risque de décharge électrique.
- N'entrez aucun matériel dans ce four lorsqu'il n'est pas utilisé, autre que les accessoires recommandés par le fabricant.
- Ne recouvrez pas les grilles ou toute autre partie du four avec du papier d'aluminium. Cela entraînerait la surchauffe du four.

6 CONSIGNES DE SÉCURITÉ IMPORTANTES

- Ne laissez pas l'eau s'infiltrer dans les orifices de ventilation afin d'éviter d'endommager les pièces internes du four. Cela pourrait provoquer un incendie ou un risque d'électrocution.

Four à micro-ondes

- Veuillez respecter les instructions d'installation fournies.
- Ne pas laisser le cordon d'alimentation pendre du bord d'une table ou d'un plan de travail.
- Ne pas modifier les interrupteurs de sécurité de la porte du four. Le four dispose de plusieurs interrupteurs de sécurité intégrés pour veiller à ce que le four soit éteint lorsque la porte est ouverte.
- Pour préserver la sole du four :
 - Ne pas trop chauffer la sole du four.
 - Ne pas laisser la pellicule grise des emballages spécialement conçus pour la cuisson au four à micro-ondes toucher le fond du four. Placer l'emballage sur un plat pour four à micro-ondes.
 - Ne rien cuire directement sur la sole du four ou le plateau tournant en verre. Utiliser un plat pour four à micro-ondes.
- Garder tout plat à brunir à au moins 3/16 po au-dessus du fond du four à micro-ondes. Lire et suivre attentivement les instructions concernant le plat à brunir. La mauvaise utilisation d'un plat à brunir peut endommager la sole du four.

Ventilation

- Risque de brûlures : Si un four ou une surface de cuisson placée sous le four à micro-ondes fonctionne, faites attention lorsque vous utilisez le four à micro-ondes. **Les composants externes du four à micro-ondes peuvent devenir très chauds et causer des brûlures ou d'autres blessures au toucher.**
- Nettoyez les hottes régulièrement. Ne laissez pas la graisse s'accumuler sur la hotte ou le filtre.
- Lorsque vous flambez des aliments sous la hotte, mettez le ventilateur en marche.
- Faites attention en nettoyant le filtre de la hotte. Les produits nettoyants corrosifs, comme les nettoyants pour four à base de soude, peuvent endommager le filtre.
- Adapté à une utilisation au-dessus d'un appareil à gaz ou électrique de 91.5 cm (36 po) de large ou moins.

Interférences Radio/TV/Appareil sans fil

- L'utilisation du four à micro-ondes à proximité de certains appareils utilisant la même fréquence, par exemple une radio, un téléviseur, un réseau local sans fil, des périphériques Bluetooth, des appareils médicaux ou des appareils sans fil, peut provoquer des interférences. Ces interférences ne sont pas une indication que le produit ou son fonctionnement sont défectueux. Le produit peut être utilisé sans danger.
- N'utilisez pas des appareils médicaux près du four à micro-ondes, puisque les interférences pourraient affecter leur bon fonctionnement.
- S'il y a des interférences, vous pouvez les éliminer ou les réduire en appliquant les mesures suivantes :
 - Nettoyez la porte et les surfaces d'étanchéité du four.
 - Réorientez l'antenne de réception de la radio, du téléviseur, du périphérique Bluetooth ou de tout autre appareil.
 - Déplacez le four à micro-ondes en fonction de l'endroit où sont placés la radio, le téléviseur, le périphérique Bluetooth ou tout autre appareil.
 - Éloignez le four à micro-ondes du récepteur.
 - Branchez le four à micro-ondes sur une autre prise de façon à ce que le four à micro-ondes et le récepteur se trouvent sur différents circuits de dérivation.

GARDEZ CES CONSIGNES

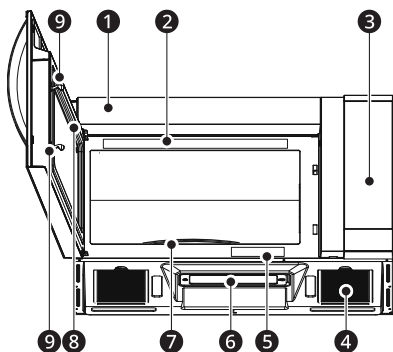
8 INSTALLATION

INSTALLATION

Aperçu du produit

Vue de l'avant

L'aspect ou les composants de l'appareil peuvent différer d'un modèle à l'autre.



- ❶ Grille de ventilation
- ❷ Emplacement du numéro de modèle
- ❸ Panneau de commande
- ❹ Filtre à graisse
- ❺ Guide de cuisson
- ❻ Éclairage de la surface de cuisson
- ❼ Plateau rotatif en verre
- ❽ Fenêtre blindée métallique
- ❾ Système de verrouillage de sécurité de la porte

Accessoires

Les accessoires varient selon le modèle.



- ❶ Plateau en verre
- ❷ Anneau rotatif

⚠ AVERTISSEMENT

- Ne faites pas fonctionner le four alors qu'il est vide ou sans le plateau en verre. Il est préférable de laisser un verre d'eau dans le four lorsqu'il n'est pas utilisé. L'eau va absorber en toute

sécurité l'énergie micro-ondes si le four est démarré accidentellement.

⚠ ATTENTION

- Pour éviter les risques de blessures ou les dégâts matériels, n'utilisez pas de grès ni d'accessoires de cuisson métalliques ou dotés de garnitures métalliques dans le four.
- Maintenez un espace d'au moins 1 po entre tout morceau de papier d'aluminium et les parois du four, et tout autre morceau de papier d'aluminium. Le papier d'aluminium peut causer des arcs électriques s'il se trouve trop près des parois du four pendant la cuisson.

REMARQUE

- Ce four est conçu pour une utilisation résidentielle seulement. Un usage commercial n'est pas recommandé.
- Ne faites pas cuire des aliments trop longtemps. Cela peut endommager le four à micro-ondes.
- Un signal sonore se fait entendre chaque fois que vous appuyez sur une touche. Une mélodie signale la fin d'un cycle de cuisson.

Caractéristiques

Modèle MVEM182**

- **Alimentation** : 120 V CA, 60 Hz
- **Consommation d'énergie nominale** : 1500 W (four à micro-ondes, éclairage de la surface de cuisson et ventilateur)
- **Puissance du four à micro-ondes**: Max. 900 W†
- **Courant nominal**: 13 A
- **Dimensions (L x H x P)** : 29 7/8 x 16 7/16 x 15 7/8 po
- **Capacité de la cavité du four** : 1.8 pi³
- **Poids net** : 50 lb

† NORME DE PUISSANCE IEC 60705. Les caractéristiques sont susceptibles d'être modifiées sans préavis.

Exigences relatives à l'installation

Emplacement d'installation

Assurez-vous que l'emplacement est suffisamment grand pour accueillir l'appareil et résistant pour supporter son poids.

- Installez le four contre un mur vertical et plat afin que son poids soit supporté par le mur. Le mur doit être fabriqué de montants de bois d'un minimum de 2 po x 4 po et d'une cloison sèche ou de plâtre d'un minimum de 3/8 po.
- Fixez les deux vis tire-fond qui soutiennent le four à un montant vertical de 2 po x 4 po.
- N'installez PAS le four à micro-ondes dans un îlot ou une péninsule.
- Assurez-vous que l'armoire supérieure et la paroi arrière peuvent supporter 150 lb plus le poids de tout ce que vous pourriez placer à l'intérieur du four ou de l'armoire supérieure.
- Placez le four loin des endroits où les courants d'air sont forts, comme près des fenêtres, des portes et des grandes bouches de chaleur.
- Assurez-vous que l'emplacement est suffisamment grand pour accueillir l'appareil. Consultez les diagrammes de dégagements dans le manuel d'installation pour connaître les dégagements verticaux et horizontaux minimaux.
- Reportez-vous aux **instructions d'installation** pour plus de détails.

Alimentation

Le four est conçu pour fonctionner sur une prise de courant standard de 120 V/60 Hz. Assurez-vous que le circuit est d'au moins 15 A ou 20 A et que le four à micro-ondes est le seul appareil sur le circuit. Il n'est pas conçu pour un circuit de 50 Hz ou tout autre circuit, sauf un circuit de 120 V/60 Hz. Aucun autre appareil électrique ou circuit d'éclairage ne doit être branché sur ce circuit. En cas de doute, consultez un électricien qualifié.

Avertissement sur la tension

La tension disponible sur la prise de courant murale doit être identique à celle précisée sur la plaque signalétique du four située à l'arrière ou sur le côté du panneau de commande du four. L'utilisation d'une tension plus élevée est dangereuse et pourrait déclencher un incendie ou tout autre type d'accident qui endommagerait le four. Une tension inférieure ralentira la cuisson. Advenant que le four ne fonctionne pas correctement, même s'il est alimenté sous la

tension correcte, débranchez puis rebranchez la fiche.

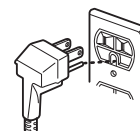
N'obstruez pas les événements d'aération

Il faut que l'air puisse circuler librement par tous les événements d'aération pendant la cuisson. Si les événements d'aération sont obstrués pendant que le four est en marche, celui-ci peut surchauffer. Dans ce cas, un dispositif de sécurité sensible à la température déclenche automatiquement l'arrêt du four. Le four ne pourra pas fonctionner tant qu'il n'aura pas suffisamment refroidi.

Instructions de mise à la terre

Cet appareil doit être mis à la terre. Advenant un court-circuit, la mise à la terre de l'appareil permet au courant électrique de retourner à la terre, et protège l'utilisateur contre l'électrocution. Cet appareil est doté d'un cordon d'alimentation qui comporte un conducteur de mise à la terre et une prise de mise à la terre. On doit brancher cette fiche sur une prise de courant correctement installée et mise à la terre.

- En cas de difficulté de compréhension des instructions de mise à la terre, ou en cas d'incertitude quant à la mise à la terre adéquate de l'appareil, consultez un électricien ou un technicien qualifié.
 - N'utilisez pas de rallonge. Si le cordon d'alimentation est trop court, demandez à un électricien ou à un technicien qualifié d'installer une prise de courant à proximité de l'appareil.
- Assurez-vous que le produit est correctement mis à la terre avant de l'utiliser.



- Gardez le cordon d'alimentation électrique au sec et évitez de le coincer ou de l'écraser de quelque façon que ce soit.
- Pour un appareil connecté en permanence : Vous devez brancher cet appareil à un système de câblage permanent, en métal, mis à la terre, ou vous devez faire courir un conducteur de mise à la terre avec les conducteurs du circuit et le brancher à la broche ou au contact de mise à la terre de l'appareil.

⚠ AVERTISSEMENT

- Une mauvaise mise à la terre peut entraîner un risque de décharge électrique.

10 INSTALLATION

- N'utilisez pas de rallonge. Si le cordon d'alimentation est trop court, demandez à un électricien ou à un technicien qualifié d'installer une prise de courant à proximité de l'appareil.
- Un cordon d'alimentation court est fourni avec l'appareil afin de réduire les risques d'emmêlement et de trébuchement posés par un cordon d'alimentation plus long.

REMARQUE

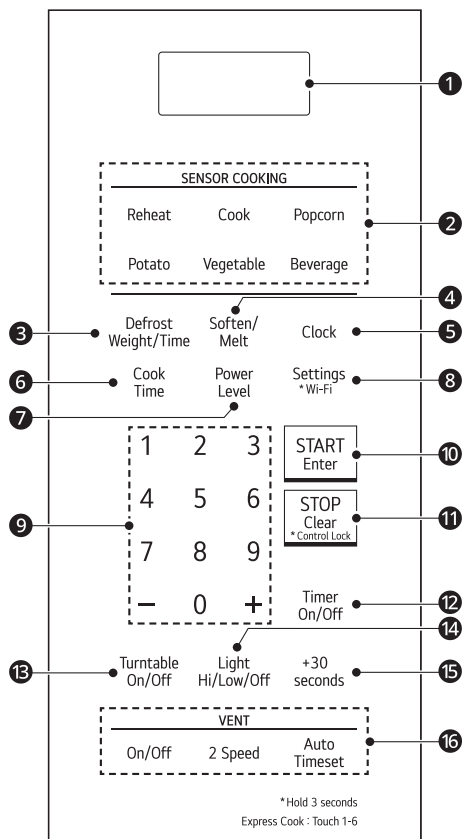
- Le cordon d'alimentation de cet appareil est court, car l'appareil est destiné à être installé sous une armoire. Voir les directives d'installation jointes pour connaître la façon adéquate de placer le cordon d'alimentation.
-

FONCTIONNEMENT

Panneau de commande

Le panneau de commande peut différer selon le modèle.

Caractéristiques du panneau de commande



1 Affichage

Affiche l'heure, les paramètres du temps de cuisson et les fonctions de cuisson sélectionnées.

2 CUISSON PAR CAPTEUR

Sélectionnez des fonctions variées de la cuisson par capteur. Consultez la section **Mode de cuisson** (cuisson avec capteur).

3 Defrost Weight/Time

Appuyez sur **Defrost Weight/Time**, puis sur les touches numériques pour décongeler la viande selon le poids.

4 Soften/Melt

- **Soften** : Ramollir le beurre, la crème glacée, le fromage à la crème et le jus congelé.

- **Melt** : Faire fondre le beurre ou la margarine, le chocolat, le fromage et les guimauves.

5 Clock

Réglez l'heure.

6 Cook Time

Réglez un temps de cuisson.

7 Power Level

Sélectionnez le niveau de puissance de cuisson.

8 Settings

- Réglez les valeurs par défaut du **Wi-Fi**.

Wi-Fi

- Appuyez sur **Settings** pendant 3 secondes pour vous connecter à un réseau Wi-Fi.

9 Touches numériques et Plus/Moins

- **Touches numériques** : Appuyez sur ces touches pour régler le temps de cuisson, la puissance, la quantité ou le poids (appuyez sur les touches numériques de 1 à 6 pour la cuisson express).
- **Plus/Moins** : Appuyez sur ces boutons pour ajuster la durée de cuisson préprogrammée.
 - **Plus (+)** : Appuyez sur ce bouton pour ajouter dix secondes de temps de cuisson.
 - **Moins (-)** : Appuyez sur ce bouton pour soustraire dix secondes de temps de cuisson.

10 START/Enter

Démarrez toutes les fonctions du four ou saisissez des réglages.

11 STOP/Clear

- Arrêtez la cuisson ou effacez tous les renseignements saisis.

Control Lock

- Appuyez et maintenez la touche enfoncée pendant trois secondes pour activer la fonction **Control Lock**.

12 Timer On/Off

Réglez la minuterie de cuisine.

12 FONCTIONNEMENT

13 Turntable On/Off

Activez ou désactivez le plateau rotatif. Cette option ne peut être utilisée avec les modes Cuisson par capteur, Décongélation, Ramollissement et Fondue.

14 Light Hi/Low/Off

Activez l'éclairage de la surface de cuisson, réglez-le sur élevé/faible ou éteignez-le.

15 +30 seconds

Ajoutez 30 secondes de temps de cuisson à chaque fois que vous appuyez sur cette touche.

16 Fonctionnalités du ventilateur

- Appuyez sur **On/Off** pour allumer ou éteindre le ventilateur (valeur par défaut : élevé).
- Appuyez sur **2 Speed** (ventilateur élevé/faible/arrêt) pour régler la vitesse du ventilateur.
- Appuyez sur **Auto Timeset** pour régler le temps de ventilation (s'éteint après 1, 3, 5, 10 ou 30 minutes).

Avant l'utilisation

Réglage de l'horloge

Réglez l'heure actuelle pour faire fonctionner le micro-ondes.

- 1 Appuyez sur **STOP/Clear** puis appuyez sur **Clock**.
- 2 Appuyez sur les touches numériques pour régler l'heure exacte, puis appuyez sur **START/Enter**.

REMARQUE

- Pour réinitialiser le mode horloge, débranchez et rebranchez le cordon d'alimentation.

Verrouillage à l'épreuve des enfants

Utilisez cette option de sécurité pour verrouiller le panneau de commande avant de nettoyer le four ou pour empêcher les enfants d'utiliser le four sans supervision.

Activer le verrouillage de sécurité

- 1 Appuyez sur **STOP/Clear**.
- 2 Maintenez la touche **STOP/Clear** enfoncée jusqu'à ce que le mot **Loc** s'affiche sur l'écran (environ 3 secondes).

Annuler le verrouillage de sécurité

Maintenant la touche **STOP/Clear** enfoncée jusqu'à ce que le mot **Loc** s'affiche à l'écran (environ 3 secondes).

REMARQUE

- Si elle a été réglée, l'heure réapparaît sur l'affichage après 3 seconde.
- Si le four est verrouillé, **Loc** apparaît sur l'affichage lorsqu'on appuie sur une touche.
- Déverrouillez le four pour reprendre une utilisation normale.

Minuterie de cuisine

La fonction de minuterie sert de minuterie de cuisine supplémentaire (jusqu'à 99 minutes et 99 secondes). Elle émet une sonnerie lorsque le temps réglé s'est écoulé. La minuterie ne permet pas d'allumer ou d'éteindre le four.

Réglage de la minuterie pendant 3 minutes

- 1 Appuyez sur **Timer On/Off**.
- 2 Appuyez sur les touches numériques pour régler la minuterie (**3, 0, and 0**), puis appuyez sur **START/Enter**.
 - La minuterie commence immédiatement et l'écran affiche le compte à rebours.
- 3 Pour annuler la minuterie, appuyez sur **Timer On/Off**.

REMARQUE

- Lorsque le temps est écoulé, le four émet des signaux sonores continus jusqu'à ce que vous appuyiez sur **Timer On/Off**.

Réglage de l'éclairage de la surface de cuisson

Utilisez les réglages d'éclairage pour ajuster l'éclairage de la surface de cuisson sous le four à micro-ondes.

- 1 Appuyez une fois sur **Hi/Low/Off** (élevé/faible/arrêt) pour régler l'éclairage à élevé.
- 2 Appuyez deux fois sur **Hi/Low/Off** (élevé/faible/arrêt) pour régler l'éclairage à faible.
- 3 Appuyez à nouveau sur **Hi/Low/Off** pour éteindre la lumière.

Réglage du plateau rotatif

Utilisez ce bouton pour activer ou désactiver le plateau rotatif. Pour de meilleurs résultats, laissez le plateau rotatif activé, sauf si vous utilisez de grands accessoires de cuisson qui l'empêchent de tourner librement.

- 1 Appuyez sur **Turntable On/Off** pour désactiver le plateau rotatif.
- 2 Appuyez à nouveau sur **Turntable On/Off** pour activer le plateau rotatif.

REMARQUE

- Cette option ne peut être utilisée avec les modes Cuisson par capteur, Décongélation, Ramollissement ou Fondue.
- Faites attention lorsque vous touchez le plateau rotatif en verre pendant ou après la cuisson, car il peut devenir chaud.

Réglage des fonctionnalités de ventilation

Utilisez ce bouton pour régler la vitesse du ventilateur. Le ventilateur dissipe la vapeur de la surface de cuisson.

Mise en marche et arrêt de la ventilation

- 1 Appuyez une fois sur **On/Off** (marche/arrêt) pour mettre le ventilateur en marche.

- 2 Appuyez sur **On/Off** (marche/arrêt) encore une fois pour éteindre le ventilateur.

Réglage de la vitesse du ventilateur

Lorsque le ventilateur est en marche, appuyez plusieurs fois sur **2 Speed** pour changer la vitesse du ventilateur.

- La vitesse du ventilateur alternera entre haute à basse.

Réglage du temps de ventilation

Appuyez plusieurs fois sur **Auto Timeset** pour régler le temps avant que le ventilateur s'éteigne automatiquement.

- Le temps de ventilation alternera entre 1, 3, 5, 10 et 30 minutes.

REMARQUE

- Allumez le ventilateur du four à micro-ondes lorsque vous utilisez la surface de cuisson située en dessous. Le ventilateur aspire la fumée, la vapeur et les odeurs, et empêche aussi la chaleur provenant de la surface de cuisson d'endommager les composants du four à micro-ondes.
- Lorsque le four à micro-ondes est en fonction, le ventilateur démarre automatiquement si les capteurs détectent une trop grande quantité de chaleur provenant de la surface de cuisson. Cette fonctionnalité est conçue pour prévenir les dommages aux composants du four à micro-ondes.

Réglages personnalisés

Réglez les valeurs par défaut pour le Wi-Fi

Menu des réglages

Reportez-vous aux renseignements ci-dessous pour modifier les réglages.

Aliment	Choix
Wi-Fi	<ul style="list-style-type: none"> • 1 Wi-Fi activé • 2 Wi-Fi désactivé

Activer le Wi-Fi

- 1 Appuyez sur **Settings**.
- 2 Appuyez sur **1** pour activer le **Wi-Fi**.

14 FONCTIONNEMENT

Niveaux de puissance du four à micro-ondes

Ce four à micro-ondes compte 10 niveaux de puissance pour vous offrir une flexibilité maximale et un meilleur contrôle de la cuisson.

- Lorsque l'appareil fonctionne à une puissance de 100 % pendant une période prolongée, la puissance de sortie sera graduellement réduite pour aider à prévenir la surchauffe électrique de l'appareil.

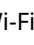
Niveau de puissance	Utiliser
Élevé 10 (100 %)	<ul style="list-style-type: none"> • Faire bouillir de l'eau. • Cuire du bœuf haché. • Préparer des bonbons ou des confiseries. • Cuire de la volaille entière, des morceaux de volaille, du poisson et des légumes. • Cuire des morceaux de viande très tendres.
9 (90%)	<ul style="list-style-type: none"> • Réchauffer le riz, les pâtes et les légumes.
8 (80%)	<ul style="list-style-type: none"> • Réchauffer rapidement les aliments préparés. • Réchauffer les sandwiches.
7 (70%)	<ul style="list-style-type: none"> • Cuire des œufs, du lait et des plats à base de fromage. • Cuire des gâteaux et du pain. • Faire fondre du chocolat
6 (60%)	<ul style="list-style-type: none"> • Cuire du veau. • Cuire un poisson entier. • Cuire les puddings et les crèmes anglaises.
5 (50%)	<ul style="list-style-type: none"> • Cuire le jambon, la volaille entière et l'agneau. • Cuire les rôtis de bœuf et les pointes de surlonge.
4 (40%)	<ul style="list-style-type: none"> • Décongeler la viande, la volaille et les fruits de mer.
3 (30%)	<ul style="list-style-type: none"> • Cuire des morceaux de viande moins tendres.
2 (20%)	<ul style="list-style-type: none"> • Éliminer le froid des fruits. • Ramollir le beurre.

Niveau de puissance	Utiliser
1 (10%)	<ul style="list-style-type: none"> • Garder les casseroles et les plats principaux au chaud. • Ramollir le beurre et le fromage à la crème.
0 (0%)	<ul style="list-style-type: none"> • Temps de repos.

Wi-Fi

Connectez l'appareil à un réseau Wi-Fi domestique pour utiliser les fonctions intelligentes. Consultez la section **FONCTIONS INTELLIGENTES** pour plus de détails. Le Wi-Fi sur l'appareil peut être activé ou désactivé dans le menu Paramètres.

Configuration du Wi-Fi

- 1 Appuyez sur la touche **Settings** et maintenez-la enfoncée pendant trois secondes. L'icône du Wi-Fi  apparaît en haut de l'affichage lorsque le Wi-Fi est activé.
- 2 Suivez les instructions sur l'application **LG ThinQ**.

REMARQUE

- L'icône du Wi-Fi sur l'écran montre le statut de la connexion réseau de l'appareil. Si l'icône du Wi-Fi ne s'affiche pas, utilisez l'application pour téléphone intelligent pour sélectionner le réseau Wi-Fi, ou reconnectez le produit.

Démarrage et arrêt rapides

Démarrage rapide

Cette fonctionnalité vous permet de démarrer la fonction micro-ondes sans devoir appuyer sur la touche **START/Enter**.

Cuisson de 2 minutes à puissance élevée

Appuyez quatre fois sur **+30 seconds**.

- Le four s'active sur-le-champ, et l'écran affiche le compte à rebours.
- Appuyez sur **+30 seconds** pour prolonger le temps de cuisson de 30 secondes à chaque

pression de la touche (jusqu'à 99 minutes et 59 secondes).

Interrompre la cuisson

- Pour arrêter le four pendant un cycle, ouvrez la porte ou appuyez sur **STOP/Clear**.
- Pour remettre le four en marche, fermez la porte et appuyez sur la touche **START/Enter**.
- Pour arrêter le four et réinitialiser les réglages pendant un cycle, appuyez sur **STOP/Clear**.

Cuisson manuelle

Cuisson manuelle

À moins que vous utilisiez les fonctions de cuisson automatique, le temps de cuisson et le niveau de puissance doivent être réglés manuellement.

Pour une cuisson de 5 minutes, 30 secondes à une puissance de 80 %

- 1 Appuyez sur **Cook Time**.
- 2 Appuyez sur les touches numériques pour régler le temps de cuisson (**5:30**).
- 3 Appuyez sur **Power Level**.
- 4 Appuyez sur **8** pour choisir le niveau de puissance 8, puis appuyez sur **START/Enter**.
 - Lorsque la cuisson est terminée, une mélodie retentit et le mot **End** (fin) s'affiche à l'écran.

REMARQUE

- Si aucun niveau de puissance de cuisson n'est sélectionné, le four est réglé par défaut à la puissance maximum.

Utilisation de la cuisson express

Appuyez sur les touches numériques **1 à 6** pour mettre le four à micro-ondes immédiatement en fonction à puissance élevée pour le nombre de minutes sélectionné.

Cuisson de 3 minutes à puissance élevée

- 1 Appuyez sur **3** pour démarrer la cuisson.
 - Lorsque la cuisson est terminée, une mélodie retentit et le mot **End** (fin) s'affiche à l'écran.

Utilisation de la cuisson en plusieurs étapes

Programmez la cuisson d'un aliment en deux étapes avec différents niveaux de puissance et temps de cuisson.

- Il est possible de programmer trois étapes si la première est le cycle de décongélation.

Cuisson pendant 3 minutes à 100 % de la puissance, puis à 80 % pendant 7 minutes

- 1 Appuyez sur **Cook Time** (temps) et saisissez la première durée de cuisson (**3, 0 et 0**).
- 2 Appuyez sur **Cook Time** et saisissez la seconde durée de cuisson (**7, 0 et 0**).
- 3 Appuyez sur **Power Level** et saisissez le niveau de puissance (**8**).
- 4 Appuyez sur **START/Enter**.

Mode de cuisson

Faites cuire vos aliments préférés sans avoir à sélectionner une durée de cuisson et un niveau de puissance.

Fonctionnalités du capteur

Les fonctionnalités de cuisson par capteur permettent de facilement et automatiquement cuisiner ou réchauffer des aliments populaires à l'aide de réglages préprogrammés.

Les capteurs détectent la vapeur accumulée, de sorte qu'il n'est pas nécessaire de régler les temps de cuisson ou les niveaux de puissance.

- Assurez-vous de ne pas ouvrir la porte pendant la détection.
- Le fait d'ouvrir la porte ou d'appuyer sur la touche **STOP/Clear** avant que la vapeur soit détectée met fin au processus et arrête le four.

16 FONCTIONNEMENT

- L'utilisation de contenants et d'emballages adéquats permet d'assurer de bons résultats de cuisson par capteur.
 - Utilisez toujours des contenants allant au micro-ondes et couvrez-les avec un couvercle ou une pellicule de plastique perforée.
 - N'utilisez jamais de couvercles en plastique hermétiquement fermés. Ils peuvent empêcher la vapeur de s'échapper, ce qui fera trop cuire les aliments.
 - La quantité d'aliments doit correspondre à la taille du contenant.
 - Remplissez les contenants au moins à moitié pour de meilleurs résultats.
 - Assurez-vous que l'extérieur du contenant de cuisson et l'intérieur du four à micro-ondes sont secs avant de placer des aliments dans le four. Des gouttes d'humidité se transformant en vapeur peuvent induire le capteur en erreur.

Mode Réchauffage par capteur

Cette fonctionnalité permet de réchauffer des portions uniques d'aliments déjà cuits ou des restes de repas.

- 1 Appuyez sur **Reheat**.
- 2 Utilisez les touches numériques ou appuyez sur **Reheat** pour saisir le code de menu souhaité dans le **menu Sensor Reheat** (réchauffage par capteur).
- 3 Appuyez sur **START/Enter**.
 - Lorsque le compte à rebours prend fin, une mélodie retentit et le mot **End** (fin) s'affiche à l'écran.

REMARQUE

- N'utilisez pas de papier recyclé dans le four à micro-ondes. Il contient parfois des impuretés pouvant produire des arcs électriques et des étincelles.

Menu du mode Réchauffage avec capteur

Reportez-vous aux renseignements ci-dessous pour les réglages propres à certains éléments de menu et les quantités recommandées.

- **1 Repas en portion individuelle** (1 ou 2 portions)
 - Ustensile de cuisine : Plat allant au micro-ondes
 - Température des aliments : Réfrigérés
 - Instructions : Couvrez avec un couvercle ou une pellicule de plastique perforée. Après la cuisson, laissez reposer pendant 3 minutes.
- **2 Soupe/sauce** (1 à 4 tasses)
 - Ustensile de cuisine : Bol allant au micro-ondes
 - Température des aliments : Réfrigérés
 - Instructions : Couvrez avec un couvercle ou une pellicule de plastique perforée. Après la cuisson, remuez et laissez reposer pendant 3 minutes.
- **3 Casserole** (1 à 4 tasses)
 - Ustensile de cuisine : Bol allant au micro-ondes
 - Température des aliments : Réfrigérés
 - Instructions : Couvrez avec une pellicule de plastique perforée. Après la cuisson, laissez reposer pendant 3 minutes.
- **4 Pizza** (1 à 3 pointes)
 - Ustensile de cuisine : Plat allant au micro-ondes
 - Température des aliments : Réfrigérés
 - Instructions : Déballiez les aliments et placez-les dans un plat allant au four à micro-ondes.
- **5 Produits de boulangerie et de pâtisserie** (1 à 4 morceaux)
 - Ustensile de cuisine : Serviette de papier
 - Température des aliments : Température ambiante
 - Instructions : Déposez les aliments sur une serviette en papier. Ne couvrez pas.

⚠ AVERTISSEMENT

- Faites attention lorsque vous manipulez les récipients. Une ébullition soudaine différée peut se produire lors du chauffage de boissons au four à micro-ondes. Il faut donc faire attention lors de la manipulation des récipients.

Mode de cuisson par capteur

Faites cuire automatiquement vos aliments préférés à l'aide de programmes pré-réglés.

- 1 Appuyez sur **Cook**.

2 Utilisez les touches numériques ou appuyez sur **Cook** pour saisir le code de menu souhaité dans le **menu Sensor Cook** (cuisson avec capteur).

3 Appuyez sur **START/Enter**.

- Lorsque le compte à rebours prend fin, une mélodie retentit et le mot **End** (fin) s'affiche à l'écran.

Menu pour la cuisson avec capteur

Reportez-vous aux renseignements ci-dessous pour les réglages propres à certains éléments de menu et les quantités recommandées.

- **1 Riz** (0.5 à 2.0 tasses)
 - Ustensile de cuisine : Grand bol creux allant au micro-ondes
 - Température des aliments : Température ambiante
 - Instructions : Versez le riz et l'eau dans le bol selon les quantités indiquées ci-dessous.
Riz : 0.5 tasse (96 g), eau : 1 1/3 tasse (314 g)
Riz : 1 tasse (192 g), eau : 2 1/4 tasses (531 g)
Riz : 1.5 tasses (288 g), eau : 3 1/4 tasses (789 g)
Riz : 2 tasses (384 g), eau : 4 1/2 tasses (1 062 g)
Couvrez avec une pellicule de plastique perforée. Après la cuisson, laissez reposer pendant 5 à 10 minutes.
- **2 Lasagne surgelée** (10 à 21 oz)
 - Température des aliments : Congelés
 - Instructions : Retirez l'emballage extérieur. Percez le couvercle. Si le récipient ne va pas au four à micro-ondes, transférez les aliments dans une assiette allant au four à micro-ondes et recouvrez-la d'une pellicule plastique perforée. Après la cuisson, laissez reposer dans le four à micro-ondes pendant 3 minutes.
- **3 Filets de poisson** (4 à 16 oz)
 - Ustensile de cuisine : Plat allant au micro-ondes
 - Température des aliments : Réfrigérés
 - Instructions : Couvrez avec une pellicule de plastique perforée. Après la cuisson, laissez reposer pendant 5 minutes.
- **4 Crevettes** (4 à 16 oz)
 - Ustensile de cuisine : Plat allant au micro-ondes
 - Température des aliments : Réfrigérés

- Instructions : Couvrez avec une pellicule de plastique perforée. Après la cuisson, laissez reposer pendant 2 minutes.

- **5 Morceaux de poulet** (4 à 32 oz)

- Ustensile de cuisine : Plat allant au micro-ondes
- Température des aliments : Réfrigérés
- Instructions : Couvrez avec une pellicule de plastique perforée. Après la cuisson, laissez reposer pendant 3 minutes.

- **6 Viande hachée** (4 à 16 oz)

- Ustensile de cuisine : Bol allant au micro-ondes
- Température des aliments : Température ambiante
- Instructions : Recouvrez d'une pellicule de plastique perforée. Mélangez après la cuisson.

- **7 Casserole** (1 à 4 tasses)

- Ustensile de cuisine : Bol allant au micro-ondes
- Température des aliments : Température ambiante
- Instructions : Couvrez avec une pellicule de plastique perforée. Après la cuisson, laissez reposer pendant 3 minutes.

- **8 Eau bouillante** (1 à 2 tasses; [240 ml par tasse])

- Ustensile de cuisine : Tasse allant au micro-ondes
- Température des aliments : Température ambiante
- Instructions : Après la cuisson, remuez pour terminer le réchauffage.

⚠ AVERTISSEMENT

- Faites attention lorsque vous manipulez le récipient. Une ébullition soudaine différée peut se produire lors du chauffage de boissons au four à micro-ondes. Il faut donc faire attention lors de la manipulation du récipient.

Mode Maïs soufflé avec capteur

Préparez du maïs soufflé au four à micro-ondes en toute facilité, un sac à la fois.

1 Appuyez sur **Popcorn**.

18 FONCTIONNEMENT

2 Appuyez sur **START/Enter**.

- Lorsque le compte à rebours prend fin, une mélodie retentit et le mot **End** (fin) s'affiche à l'écran.

ATTENTION

- N'utilisez que des contenants allant au four à micro-ondes ou des sachets préemballés conçus pour une utilisation dans les fours à micro-ondes.
- Ne réutilisez pas les sacs de maïs soufflé
- Ne laissez pas le four à micro-ondes sans surveillance lorsque vous préparez votre maïs soufflé.
- Suivez les directives qui se trouvent sur le sac.

Menu Maïs soufflé avec capteur

Reportez-vous aux renseignements ci-dessous pour les réglages propres à certains éléments de menu et les quantités recommandées.

- **Maïs soufflé (à éclater)** (2.0 à 3.5 oz)
 - Ne chauffez qu'un sachet à la fois. Pour des résultats optimaux, utilisez un sachet frais de maïs à éclater. Placez un sachet de maïs à éclater pour micro-ondes prêt à l'emploi au centre du plateau en verre.

Mode Pomme de terre par capteur

Réglage de la fonction pour pomme de terre

- 1 Appuyez sur **Potato**.
- 2 Appuyez sur **START/Enter**.
- 3 Appuyez sur **STOP/Clear** pour annuler la fonction Pomme de terre par capteur en tout temps.

Menu Pomme de terre par capteur

Reportez-vous aux renseignements ci-dessous pour les réglages propres à certains éléments de menu et les quantités recommandées.

- **Pomme de terre (casserole)** (1 à 4 ch. [Environ 7 à 9 oz ch.])
 - Ustensile de cuisine : Serviette de papier sur le plateau en verre

- Température des aliments : Température ambiante
- Instructions : Faites des petits trous dans la peau à l'aide d'une fourchette et déposez la pomme de terre sur une serviette en papier placée sur le plateau en verre. Ne couvrez pas. Laissez reposer 5 minutes après la cuisson.

Mode Légumes par capteur

Réglage de la fonction pour légumes

- 1 Appuyez sur **Vegetable**.
- 2 Utilisez les touches numériques ou appuyez sur **Vegetable** pour choisir une catégorie dans le menu ci-dessous.
- 3 Appuyez sur **START/Enter**.
- 4 Appuyez sur **STOP/Clear** pour annuler la fonction Légumes par capteur en tout temps.

Menu Légumes par capteur

Reportez-vous aux renseignements ci-dessous pour les réglages propres à certains éléments de menu et les quantités recommandées.

- **1 Légumes frais (durs)** (1 à 4 tasses)
 - Ustensile de cuisine : Bol allant au micro-ondes
 - Température des aliments : Réfrigérés
 - Légumes durs : carottes, betteraves, etc.
 - Instructions : Ajoutez de l'eau (1 à 2 tasses : 2 c. à soupe d'eau, 3 à 4 tasses : 4 c. à soupe d'eau). Recouvrez le récipient d'une pellicule de plastique perforée. Après la cuisson, laissez reposer pendant 3 minutes.
- **2 Légumes frais (mous)** (1 à 4 tasses)
 - Ustensile de cuisine : Bol allant au micro-ondes ou casserole
 - Température des aliments : Réfrigérés
 - Légumes mous : chou-fleur, brocoli, épinard, etc.
 - Instructions : Ajoutez de l'eau (1 à 2 tasses : 2 c. à soupe d'eau, 3 à 4 tasses : 4 c. à soupe d'eau). Recouvrez le récipient d'une pellicule de plastique perforée. Après la cuisson, laissez reposer pendant 3 minutes.

3 Légumes surgelés (1 à 4 tasses)

- Ustensile de cuisine : Bol allant au micro-ondes ou casserole
- Température des aliments : Congelés
- Instructions : Ajoutez de l'eau (1 à 2 tasses : 2 c. à soupe d'eau, 3 à 4 tasses : 4 c. à soupe d'eau). Recouvrez le récipient d'une pellicule de plastique perforée. Après la cuisson, laissez reposer pendant 3 minutes.

4 Légumes en conserve (1 à 4 tasses)

- Ustensile de cuisine : Bol allant au micro-ondes ou casserole
- Température des aliments : Température ambiante
- Instructions : Recouvrez d'une pellicule de plastique perforée. Mélangez bien après la cuisson.

Mode Breuvage par capteur**Réglage de la fonction Breuvage par capteur**

- 1 Appuyez sur **Beverage**.
- 2 Appuyez sur **START/Enter**.
- 3 Appuyez sur **STOP/Clear** pour annuler la fonction Breuvage par capteur en tout temps.

Menu Breuvage par capteur

Reportez-vous aux renseignements ci-dessous pour les réglages propres à certains éléments de menu et les quantités recommandées.

- **Thé** (1 à 2 tasses; 8 oz/240 ml par tasse)
 - Ustensile de cuisine : Tasse allant au micro-ondes
 - Température des aliments : Température ambiante
 - Instructions : Versez le thé dans une tasse allant au micro-ondes. Après avoir chauffé, remuez pour terminer le réchauffage.

⚠ AVERTISSEMENT

- Faites attention lorsque vous manipulez le récipient. Une ébullition soudaine différée peut se produire lors du chauffage de boissons au four à micro-ondes. Il faut donc faire attention lors de la manipulation du récipient.

Mode Décongélation**Utilisation du menu Décongélation**

Le four dispose de quatre cycles de décongélation pré-réglés. Le **menu Décongélation** indique le cycle suggéré pour divers aliments.

- 1 Appuyez plusieurs fois sur **Defrost Weight/Time** pour sélectionner le code de menu souhaité.
- 2 Appuyez sur les touches numériques de 1 à 9 pour passer d'une quantité pré-réglée à l'autre. Appuyez ensuite sur **START/Enter**.
 - Lorsque vous entendez l'avertisseur sonore, ouvrez la porte du four et retournez les aliments. Retirez les aliments qui ont été décongelés. Remettez les aliments congelés dans le four et appuyez sur **START/Enter** pour terminer le cycle de décongélation.

Réglage du temps de décongélation

Utilisez cette fonctionnalité pour régler manuellement le temps de décongélation.

- 1 Appuyez cinq fois sur **Defrost Weight/Time**.
- 2 Saisissez la durée de décongélation désirée à l'aide des touches numériques (pour 2 minutes : **2, 0 et 0**).
- 3 Appuyez sur **START/Enter**.

REMARQUE

- Lorsque vous appuyez sur **START/Enter**, le décompte s'affiche à l'écran. L'avertisseur sonore se fait entendre une fois, à mi-parcours du cycle de décongélation.
- Lorsque vous utilisez la fonction de décongélation, veuillez saisir le poids net en livres et en dixièmes de livre (le poids de l'aliment moins celui du contenant).

Menu Décongélation

Reportez-vous aux renseignements ci-dessous pour les réglages propres à certains éléments de menu et les quantités recommandées.

- **1 Viande** (0.1 à 6.0 lb)
 - Bœuf: Bœuf haché, bifteck de ronde, cubes à ragoût, filet mignon, morceau à braiser, côte

20 FONCTIONNEMENT

de bœuf, rôti de croupe, rôti de palette, galettes de bœuf haché pour hamburger

- Agneau : Côtelettes (1 po d'épaisseur), rôti roulé
- Porc : Côtelettes (0.5 po d'épaisseur), hot-dogs, côtes levées, longues, rôti roulé, saucisses
- Veau : Escalopes (1 lb, 0.5 po d'épaisseur)

Lorsque le four émet un signal sonore, retournez les aliments. Après la décongélation, laissez reposer pendant 5 à 15 minutes.

• 2 Volaille (0.1 à 6.0 lb)

- Volaille : Poulet entier, poulet coupé, poitrine (désossée).

Rincez la cavité du poulet à l'eau et laissez reposer 60 minutes avant la cuisson pour obtenir de meilleurs résultats.

- Poulet de Cornouailles : Entier
- Dindon : Poitrine.

Lorsque le four émet un signal sonore, retournez les aliments. Après la décongélation, laissez reposer pendant 30 minutes.

• 3 Poisson (0.1 à 6.0 lb)

- Poisson : Filets, steaks entiers.
- Fruits de mer : Chair de crabe, queues de homard, crevettes, pétoncles.

Lorsque le four émet un signal sonore, retournez les aliments. Après la décongélation, laissez reposer pendant 5 à 10 minutes.

• 4 Pain (0.1 à 1.0 lb)

- Muffins, rouleaux, gâteaux

Lorsque le four émet un signal sonore, retournez les aliments. Après la décongélation, laissez reposer pendant 1 à 2 minutes.

• 5 Réglage de la durée

- Pour décongeler en fonction du temps plutôt que du poids, appuyez cinq fois sur **Defrost Weight/Time**, saisissez le temps souhaité pour la décongélation, puis appuyez sur **START/Enter**.

Mode Ramollissement/Fondue

Le four utilise une puissance faible pour ramollir (beurre, crème glacée, fromage à la crème, jus congelés) et faire fondre les aliments (beurre/margarine, chocolat, fromage, guimauves).

- 1 Appuyez plusieurs fois sur **Soften/Melt** pour entrer le code de menu souhaité du **menu Ramollissement ou Fondue**.

- 2 Appuyez sur les touches numériques de 1 à 9 pour passer d'une quantité prééglée à l'autre. Appuyez ensuite sur **START/Enter**.

Menu Ramollissement

Reportez-vous aux renseignements ci-dessous pour les réglages propres à certains éléments de menu et les quantités recommandées.

- **1 Beurre** (1, 2 ou 3 bâtonnets [4 oz par bâtonnet])

- Ustensile de cuisine : Plat allant au micro-ondes

- Température des aliments : Réfrigérés

- Instructions : Déballez et mettez les aliments dans le four à micro-ondes. Le beurre sera à la température ambiante et prêt à être utilisé dans une recette. Lorsque vous utilisez un demi-bâtonnet, appuyez sur **Cook Time**, puis sur les touches numériques pour régler le temps de cuisson (0:40). Appuyez sur **Power Level**, puis sur **2** pour sélectionner le niveau de puissance 2. Appuyez sur **START/Enter**.

- **2 Crème glacée** (pinte, quart, demi-gallon)

- Température des aliments : Congelés

- Instructions : Retirez le couvercle et couvrez. Placez les aliments dans le four à micro-ondes. La crème glacée sera assez molle pour former des boules facilement.

- **3 Fromage à la crème** (3 ou 8 oz)

- Ustensile de cuisine : Plat allant au micro-ondes

- Température des aliments : Réfrigérés

- Instructions : Déballez et mettez les aliments dans le four à micro-ondes. Le fromage à la crème sera à la température ambiante et prêt à être utilisé dans une recette.

- **4 Jus congelé** (6, 12 ou 16 oz)

- Température des aliments : Congelés

- Instructions : Retirez le couvercle. Le jus congelé sera assez mou pour être facilement mélangé avec de l'eau.

Menu Fondue

Reportez-vous aux renseignements ci-dessous pour les réglages propres à certains éléments de menu et les quantités recommandées.

- **5 Beurre/margarine** (1, 2 ou 3 bâtonnets [4 oz par bâtonnet])

- Ustensile de cuisine : Bol allant au micro-ondes

- Température des aliments : Réfrigérés

- Instructions : Déballez et mettez les aliments dans le four à micro-ondes. Après le chauffage, remuez pour terminer la fonte. Lorsque vous utilisez un demi-bâtonnet, appuyez sur **Cook Time**, puis sur les touches numériques pour régler le temps de cuisson (0:30). Appuyez sur **Power Level**, puis sur **10** pour sélectionner le niveau de puissance 10. Appuyez sur **START/Enter**.
- **6 Chocolat** (4 ou 8 oz)
 - Ustensile de cuisine : Bol allant au micro-ondes
 - Température des aliments : Température ambiante
 - Instructions : Vous pouvez utiliser des pépites de chocolat ou des carrés de chocolat à cuisson. Déballez et mettez les aliments dans le four à micro-ondes. Après le chauffage, remuez pour terminer la fonte.
- **7 Fromage** (8 ou 16 oz)
 - Ustensile de cuisine : Bol allant au micro-ondes
 - Température des aliments : Réfrigérés
 - Instructions : Utilisez des préparations à base de fromage fondu seulement. Déballez et coupez le fromage en cubes. Placez les cubes dans le four à micro-ondes. Remuez au signal sonore. Après le chauffage, remuez pour terminer la fonte.
- **8 Guimauves** (5 ou 10 oz)
 - Ustensile de cuisine : Bol allant au micro-ondes
 - Température des aliments : Température ambiante
 - Instructions : Déballez et mettez les aliments dans le four à micro-ondes. Après le chauffage, remuez pour terminer la fonte.
- N'utilisez pas de la verrerie délicate, tels que des gobelets ou des verres à vin, car elle risque d'éclater si elle est chauffée.
- **Porcelaine**
 - Utilisez des bols, des tasses, des assiettes, de la poterie, de la céramique et des plateaux sans garnitures ou poignées métalliques. Un grand nombre de contenants faits de ces matériaux peuvent aller au four à micro-ondes, mais il vaut mieux les tester avant de les utiliser.
- **Plastique**
 - **Contenants de stockage de plastique:** Utilisez des contenants en plastique, des tasses, des contenants pour congélateur semi-rigides et des sacs de plastique seulement pour réchauffer rapidement des aliments. Ne les utilisez pas pour cuire des aliments pendant de longues périodes ou à de hauts niveaux de puissance, puisque les aliments chauds vont éventuellement déformer ou faire fondre le plastique.
 - **Pellicule de plastique (utilisée comme couvercle):** Placez la pellicule de plastique sur le plat sans la serrer et appuyez sur les côtés. Laissez l'un des coins de la pellicule de plastique légèrement relevé pour permettre au surplus de vapeur de s'échapper. Assurez-vous que le plat soit suffisamment profond pour que la pellicule de plastique ne touche pas aux aliments. Pendant que les aliments chauffent, la pellicule de plastique peut fondre aux endroits où elle touche les aliments.
 - **Sacs de cuisson de plastique:** S'ils sont spécialement conçus pour la cuisson, les sacs de cuisson peuvent être utilisés au four à micro-ondes. N'oubliez pas de perforer le sac pour que la vapeur puisse s'échapper. N'utilisez jamais de sacs de plastique ordinaires pour la cuisson au four à micro-ondes, puisqu'ils vont fondre et se déchirer.
 - **Accessoire de cuisson de plastique pour four à micro-ondes:** Il existe une grande variété de formes et de tailles d'accessoires de cuisson pour four à micro-ondes. Vous pourriez être en mesure d'utiliser de l'équipement que vous possédez déjà plutôt que d'investir dans un nouvel équipement de cuisine.
- **Papier**
 - Papier essuie-tout, papier paraffiné, serviettes en papier et assiettes en papier sans garniture ou décoration métallique. Voir l'étiquette du fabricant pour confirmer l'utilisation possible dans le four à micro-ondes.

Guide des accessoires de cuisson

Accessoires de cuisson allant au four à micro-ondes

Utilisez des accessoires de cuisson allant au micro-ondes.

- **Verre résistant au four**
 - Verre résistant au four traité pour être utilisé à très haute température pour qu'il puisse résister à la chaleur et aller au micro-ondes.
 - Utilisez des plats, des moules à pain, des moules à tarte, des moules à gâteaux, des tasses à mesurer, des cocottes et des bols sans garnitures métalliques.

22 FONCTIONNEMENT

- Les assiettes et les contenants en carton sont pratiques et sécuritaires à utiliser dans le four à micro-ondes, à condition que le temps de cuisson soit court et que les aliments à cuire soient faibles en gras et en humidité. Le papier essuie-tout est également très utile pour emballer des aliments et recouvrir des plaques de cuisson dans lesquelles des aliments gras tels que le bacon sont cuits.
- Évitez le carton de couleur, car il peut se décolorer. N'utilisez pas de papier recyclé, car certains produits de papier recyclé peuvent contenir des impuretés qui pourraient produire des arcs électriques ou déclencher un incendie lorsqu'ils sont utilisés dans le four à micro-ondes.
- **Vaisselle**
 - De nombreux contenants en poterie, en porcelaine et en céramique peuvent également aller au micro-ondes. En cas de doute, consultez la documentation du fabricant ou effectuez le test du micro-ondes.
 - Ne placez pas de plats avec des motifs peints au four, car la peinture peut contenir du métal qui pourrait provoquer un arc électrique.
- Veillez à ce que TOUT le papier aluminium soit à au moins 1 po des parois et de la porte du four.
- **Bois**
 - Les planches et bols en bois vont se dessécher et peuvent se fendiller ou se fendre si on les utilise dans le four à micro-ondes.
 - Les paniers peuvent réagir de la même façon.
- **Contenants hermétiquement fermés**
 - Assurez-vous de laisser des ouvertures pour que la vapeur puisse s'échapper des contenants fermés.
 - Percer les sachets de légumes en plastique et autres articles, avant la cuisson.
 - Des sachets hermétiquement fermés risqueraient d'exploser.
- **Papier Brun**
 - Évitez d'utiliser des sacs de papier brun.
 - Ils absorbent trop de chaleur et peuvent prendre feu.
- **Ustensiles de cuisson défectueux ou ébréchés**
 - Tout contenant qui est fissuré, défectueux ou ébréché peut être endommagé dans le four.
- **Attaches métalliques**
 - Retirer les attaches métalliques des sachets en papier ou plastique.
 - Elles peuvent s'échauffer et risquent d'entraîner un feu.

Accessoires de cuisson n'allant pas au four à micro-ondes

- **Contenants métalliques/Décoration métallique**
 - N'utilisez jamais d'accessoires de cuisson métalliques ou dotés d'une bordure métallique lorsque vous utilisez le four à micro-ondes.
 - Les micro-ondes ne peuvent pas traverser le métal. Ils rebondissent sur tout objet métallique dans le four et peuvent produire des arcs électriques, un phénomène alarmant qui ressemble à un éclair.
 - Le métal protège les aliments contre l'énergie micro-ondes, ce qui peut entraîner une cuisson inégale. Évitez de mettre dans le four des brochettes métalliques, des thermomètres et des plateaux d'aluminium. Les contenants métalliques peuvent provoquer des arcs électriques, ce qui peut endommager le four à micro-ondes.
- **Papier d'aluminium**
 - Évitez les grandes feuilles de papier aluminium, car elles nuisent à la cuisson et peuvent produire des arcs électriques.
 - Utilisez de petits morceaux de papier aluminium pour protéger les cuisses et les ailes des volailles.

Tests à effectuer avant l'utilisation d'accessoires de cuisson

La plupart des accessoires de cuisson non métalliques résistant à la chaleur peuvent être utilisés en toute sécurité dans votre four. Cependant, certains d'entre eux peuvent contenir des matériaux qui les rendent inutilisables comme accessoires de cuisson allant au four à micro-ondes. Suivez les étapes ci-dessous pour découvrir si vos accessoires de cuisson peuvent être utilisés au four à micro-ondes.

- 1** Placez le contenant en question à côté d'un bol en verre rempli d'eau à l'intérieur du four.
- 2** Passez-le au micro-ondes à puissance élevée pendant 1 minute.
 - Si l'eau chauffe, mais que le contenant reste froid au toucher, le contenant peut être utilisé au four à micro-ondes.

- Si la température de l'eau ne change pas, mais que le contenant devient chaud, les micro-ondes sont absorbées par le contenant et il n'est pas sécuritaire de l'utiliser dans le four à micro-ondes.

⚠ ATTENTION

- Certains objets ayant une teneur élevée en plomb ou en fer ne sont pas adaptés pour la cuisson au four à micro-ondes.
- Il faut vérifier les accessoires de cuisson afin de s'assurer qu'ils sont adaptés à une utilisation au four à micro-ondes.
- Faites toujours preuve de prudence lorsque vous retirez des accessoires de cuisson du four. Certains plats absorbent la chaleur des aliments cuits et peuvent être chauds.

Guide de cuisson

Conseils de cuisson

Surveillez attentivement les aliments placés au four à micro-ondes pendant leur cuisson. Les directives données dans des recettes pour surélever, remuer, etc. doivent être considérées comme les mesures minimales recommandées. Si les aliments sont trop cuits (secs), pas assez cuits ou cuits de façon inégale, apportez les ajustements nécessaires avant ou pendant la cuisson pour corriger le problème. Assurez-vous que les aliments atteignent une température interne de 165 °F pour une consommation sûre lors de la cuisson et du réchauffage.

• Aliments trop cuits ou secs

- **Eau** : Arrosez les aliments relativement secs, comme les rôtis et certains légumes, avec de l'eau avant de les faire cuire ou recouvrez-les pour retenir l'humidité.
- **Densité** : Les aliments légers et poreux comme les gâteaux et le pain cuisent plus rapidement que les aliments lourds et denses comme les rôtis et les plats mijotés.
- **Protection** : Couvrez les coins des plats carrés de petites bandes de papier d'aluminium pour éviter de trop cuire les aliments. N'utilisez pas trop de papier d'aluminium et fixez-le solidement au plat. Le papier d'aluminium peut causer des arcs électriques s'il se trouve trop près des parois du four pendant la cuisson.
- **Os et gras** : Les os conduisent la chaleur et la graisse cuit plus rapidement que la viande.

Faites preuve de prudence avec les morceaux de viande gras ou contenant des os.

• Les aliments ne sont pas assez cuits

- **Couvercle** : Recouvrez les aliments d'un couvercle allant au micro-ondes, de papier parchemin (pas de papier ciré) ou d'une pellicule plastique pour emprisonner la chaleur et la vapeur et ainsi cuire les aliments plus rapidement.
- **Temps de repos** : Laissez les aliments reposer pendant quelques minutes avant de les sortir du four à micro-ondes pour leur permettre de terminer leur cuisson et favoriser le mélange des saveurs.
- **Quantité** : Plus vous placez d'aliments dans le four, plus le temps de cuisson requis est long.
- **Température** : Les aliments très froids prennent beaucoup plus de temps à cuire que les aliments qui sont à la température ambiante.

• La cuisson des aliments n'est pas uniforme

- **Remuer** : Remuez de l'extérieur vers l'intérieur, puisque l'extérieur des aliments se réchauffe en premier.
- **Retourner les aliments** : Retournez les aliments plusieurs fois pendant la cuisson. La portion supérieure des aliments épais cuit plus rapidement que la portion inférieure.
- **Disposition** : Déposez les portions de viande, de volaille et de poisson les plus épaisses vers le bord extérieur du plat de cuisson pour qu'elles cuisent plus uniformément. Si possible, façonnez les aliments de façon à ce qu'ils soient ronds ou en forme d'anneaux.

• Aliments dotés d'une coquille, d'une peau ou d'une membrane

- **Peau ou membrane** : Percez l'extérieur des aliments comme les pommes de terre, les saucisses, les blancs d'œuf ou les jaunes d'œuf avant de les faire cuire.
- **Coquille** : Percez ou retirez les coquilles des œufs, des palourdes, des huîtres ou d'autres aliments dotés d'une coquille avant de les faire cuire.

• Conseils de décongélation

- Enlevez le poisson, les fruits de mer, la viande et la volaille de l'emballage d'origine ou de l'emballage en plastique. Sinon, l'emballage retiendra la vapeur et le jus près des aliments, et la surface extérieure des aliments pourrait cuire.
- Retirez toute attache métallique.
- Faites toujours une entaille dans les pochettes ou les emballages en plastique.

24 FONCTIONNEMENT

- Ouvrez les contenants comme les boîtes en carton avant de les placer dans le four.
- Si les aliments sont emballés dans du papier d'aluminium, enlevez le papier d'aluminium et placez les aliments dans un contenant approprié.
- Le temps de décongélation varie selon la forme des aliments et le degré de congélation de ceux-ci.
- Lorsque les aliments commencent à dégeler, séparez-les en morceaux pour qu'ils puissent décongeler plus facilement.
- Retournez les aliments pendant la décongélation ou le temps de repos. Défaites les aliments en morceaux et retirez-les, au besoin.
- Laissez les aliments reposer après la décongélation. Les aliments doivent être encore légèrement gelés au centre lorsqu'ils sont retirés du four.
- Lorsque vous utilisez le cycle de décongélation, le poids à saisir correspond au poids net en livres et en dixièmes de livres (le poids de l'aliment sans le contenant).
- Faites une entaille dans la peau des aliments congelés, comme des saucisses.
- Pliez les pochettes en plastique qui renferment les aliments pour assurer une décongélation uniforme.
- Placez l'aliment dans un récipient peu profond ou dans un plat de rôtissage au micro-ondes afin de récolter les jus.
- Sous-estimez toujours le temps de décongélation. Les aliments doivent encore être un peu gelés au centre lorsqu'on les retire du four. Si l'aliment décongelé est toujours gelé au centre, remettez-le dans le four à micro-ondes pour le décongeler davantage.
- Selon la forme de l'aliment, certaines zones peuvent décongeler plus rapidement que d'autres.
- La forme de l'emballage influe sur la rapidité de décongélation des aliments. Les emballages peu profonds seront décongelés plus rapidement qu'un bloc épais.
- Pour de meilleurs résultats, congelez la viande hachée sous forme de beignet. Pendant la décongélation, lorsque l'avertisseur sonore se fait entendre, grattez la viande pour retirer ce qui est décongelé et poursuivez la décongélation.
- Utilisez de petits morceaux de papier d'aluminium pour protéger les parties des aliments comme les ailes de poulet, les

extrémités des cuisses de poulet, les queues de poisson ou les parties qui commencent à devenir chaudes. Assurez-vous que le papier d'aluminium ne touche pas les côtés, le haut ou le fond du four. Le papier d'aluminium peut endommager le revêtement intérieur du four.

Précautions

AVERTISSEMENT

- N'utilisez pas votre four à micro-ondes pour faire cuire des œufs dans leur coquille. La pression peut croître à l'intérieur de la coquille, ce qui la ferait éclater.
- Ne faites jamais fonctionner le four lorsqu'il est vide. Des aliments ou de l'eau doivent toujours se trouver dans le four pendant qu'il est en marche afin d'absorber l'énergie des micro-ondes.
- Pour programmer le four, appuyez fermement au centre de chaque bouton. Lorsque vous appuyez correctement sur un bouton, celui-ci émet un signal sonore, et le four est activé. N'appuyez pas sur plusieurs boutons en même temps.
- Ne frappez pas le panneau de commande avec de l'argenterie, des ustensiles, etc. Des bris pourraient survenir.
- Faites toujours preuve de prudence lorsque vous retirez des accessoires de cuisson du four. Certains plats absorbent la chaleur des aliments cuits et peuvent être chauds. Consultez le Guide des accessoires de cuisson plus haut pour obtenir plus de renseignements.
- Pour éviter les bris, laissez refroidir les accessoires de cuisson avant de les rincer ou de les immerger dans l'eau. Laissez toujours refroidir le plateau rotatif avant de le retirer du four.
- N'utilisez pas le four pour sécher des journaux ou des vêtements. Ils peuvent prendre feu.
- Utilisez des thermomètres qui ont été approuvés pour la cuisson au four à micro-ondes.
- Le plateau rotatif doit toujours être en place lorsque vous utilisez le four.

FONCTIONS INTELLIGENTES

Application LG ThinQ

Cette fonction n'est offerte que sur les modèles dotés du Wi-Fi.

L'application **LG ThinQ** vous permet de communiquer avec l'appareil à l'aide d'un téléphone intelligent.

Caractéristiques de l'application LG ThinQ

• Paramètres

- Cette fonctionnalité vous permet de régler diverses options du four et de l'application.

• Smart Diagnosis^{MC}

- Cette fonction fournit des renseignements utiles pour diagnostiquer et résoudre les problèmes avec l'appareil en se basant sur le profil d'utilisation.

• Surveillance

- Cette fonctionnalité vous permet de vérifier l'état actuel du four, le temps restant, les réglages de cuisson et l'heure de fin de la cuisson en un seul endroit.

• Notifications du produit

- Activez les alertes automatisées pour recevoir des notifications sur l'état de l'appareil. Les notifications sont déclenchées même si l'application **LG ThinQ** n'est pas ouverte.

• Minuterie

- Vous pouvez régler la minuterie depuis l'application.

• Mise à jour du micrologiciel

- Gardez l'appareil à jour.

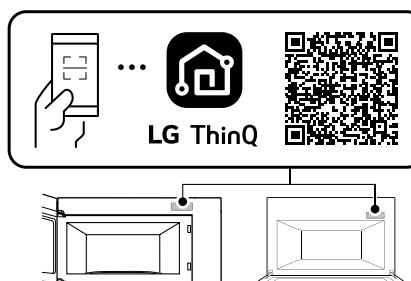
REMARQUE

- Dans les cas suivants, vous devez mettre à jour les informations réseau pour chaque appareil dans l'application **LG ThinQ** sous **Cartes de l'appareil** → **Réglages** → **Changer de réseau**.
 - le routeur sans fil est modifié
 - le mot de passe du routeur sans fil est modifié
 - le fournisseur de services Internet est changé
- Cette information est à jour au moment de la publication. L'application est sujette à des modifications à des fins d'amélioration du produit, et ce, sans que l'utilisateur en soit préalablement avisé.

Installation de l'application LG ThinQ et connexion d'un appareil de LG

Modèles avec un code QR


Balayez le code QR ci-joint au produit en utilisant l'appareil photo ou un lecteur de codes QR sur votre téléphone intelligent.



Modèles sans code QR

- 1 À partir d'un téléphone intelligent, cherchez l'application **LG ThinQ** dans la boutique Google Play ou l'App Store d'Apple.
- 2 Lancez l'application **LG ThinQ**, connectez-vous à votre compte, ou créez un compte LG.
- 3 Appuyez sur le bouton Ajouter (+) sur l'application **LG ThinQ** pour connecter votre appareil de LG. Suivez les instructions de l'application pour terminer le processus.

REMARQUE

- Pour connaître l'état du réseau Wi-Fi, vérifiez que l'icône  est allumée sur le panneau de configuration.
- L'appareil prend seulement en charge les réseaux Wi-Fi de 2.4 GHz. Pour vérifier la fréquence de votre réseau, contactez votre fournisseur de services Internet ou reportez-vous au manuel de votre routeur sans fil.
- **LG ThinQ** n'est pas responsable des problèmes de connexion au réseau ou des défauts, dysfonctionnements ou erreurs causés par la connexion au réseau.
- L'environnement sans fil peut causer un ralentissement du fonctionnement du réseau sans fil.

26 FONCTIONS INTELLIGENTES

- S'il y a une trop grande distance entre l'appareil et le routeur sans fil, l'intensité du signal s'affaiblit. La connexion peut prendre du temps, ou l'installation de l'application peut échouer.
- Si l'appareil a des difficultés à se connecter au réseau Wi-Fi, il est peut-être trop loin du routeur. Procurez-vous un répéteur Wi-Fi (rallonge de portée) pour améliorer la force du signal Wi-Fi.
- La connexion réseau peut ne pas fonctionner correctement selon le fournisseur de services Internet.
- La connexion Wi-Fi peut ne pas se faire ou être interrompue à cause de l'environnement du réseau domestique.
- Si l'appareil ne peut pas se connecter en raison de problèmes avec la transmission du signal sans fil, débranchez l'appareil et attendez environ une minute avant de réessayer.
- Si le pare-feu de votre routeur sans fil est activé, désactivez-le ou ajoutez-y une exception.
- Le nom du réseau sans fil (SSID) doit être une combinaison de lettres et de chiffres anglais. (N'utilisez pas de caractères spéciaux.)
- L'interface utilisateur (IU) du téléphone intelligent peut varier en fonction du système d'exploitation (SE) mobile et du fabricant.
- Si le protocole de sécurité du routeur est configuré sur **WEP**, la configuration du réseau peut échouer. Veuillez changer le protocole de sécurité (nous recommandons **WPA2**) et connectez le produit de nouveau.

Caractéristiques de l'équipement radio

Type	Gamme de fréquences fonctionnement	Puissance de sortie (Max.)
LAN sans fil	De 2400 MHz à 2472 MHz	< 1 W
Bluetooth†	De 2400 MHz à 2483,5 MHz	

† Cette fonctionnalité est offerte sur certains modèles seulement.

Avis d'Industrie Canada

L'émetteur/récepteur exempt de licence contenu dans le présent appareil est conforme aux CNR d'Innovation, Sciences et Développement économique Canada applicables aux appareils

radio exempts de licence. L'exploitation est autorisée aux deux conditions suivantes:

- (1) Cet appareil ne doit pas provoquer d'interférences.
- (2) Cet appareil doit accepter toutes les interférences, y compris celles pouvant entraîner son dysfonctionnement.

Énoncé d'IC concernant l'exposition à la radiation

Cet appareil est conforme aux limites d'exposition aux rayonnements d'Industrie Canada pour un environnement non contrôlé.

Cet appareil doit être installé et utilisé de façon à garder une distance minimale de 20 cm (7.8 pouces) entre la source de rayonnement et votre corps.

REMARQUE

- LE FABRICANT N'EST PAS RESPONSABLE DES INTERFÉRENCES RADIOÉLECTRIQUES CAUSÉES PAR DES MODIFICATIONS NON AUTORISÉES APPORTÉES À CET APPAREIL. DE TELLES MODIFICATIONS POURRAIENT ANNULER L'AUTORISATION ACCORDÉE À L'UTILISATEUR DE FAIRE FONCTIONNER L'APPAREIL.



Renseignements sur l'avis de logiciel libre

Pour obtenir le code source conformément aux dispositions de la licence publique générale, de la licence publique générale limitée, de la licence publique Mozilla et de toute autre licence régissant les logiciels à code source libre contenus dans ce produit et exigeant la divulgation du code source, visitez le site <https://opensource.lge.com>. En plus du code source, toutes les dispositions de licence, les avis de droits d'auteurs et autres documents pertinents peuvent aussi être consultés.

LG Electronics mettra également à votre disposition le code source libre sur CD-ROM pour un prix couvrant le coût de la distribution (coût du support, de l'expédition et de la manutention) sur simple demande par courriel à l'adresse opensource@lge.com.

Cette offre est valable pour une période de trois ans après notre dernière expédition de ce produit et s'applique à toute personne ayant reçu ces renseignements.

Fonctionnalité Smart Diagnosis^{MC}

Cette fonctionnalité est offerte uniquement sur les modèles portant le logo  ou .

Utilisez cette fonctionnalité pour vous aider à diagnostiquer et à résoudre les problèmes qu'éprouve votre appareil.

REMARQUE

- Pour des raisons ne relevant pas du contrôle de LGE, le service pourrait ne pas fonctionner en raison de facteurs externes, notamment la disponibilité du Wi-Fi, la connexion Wi-Fi, la politique de la boutique d'applications ou la disponibilité de l'application.
- La fonctionnalité pourrait être modifiée sans préavis et pourrait avoir une apparence différente selon votre emplacement.

Utilisation de l'application LG ThinQ pour diagnostiquer les problèmes

Si vous éprouvez des problèmes avec votre appareil doté du Wi-Fi, vous pouvez transmettre des données de dépannage par téléphone intelligent à l'aide de l'application **LG ThinQ**.

- Lancez l'application **LG ThinQ** et sélectionnez la fonctionnalité **Smart Diagnosis** qui se trouve dans le menu. Suivez les instructions indiquées dans l'application **LG ThinQ**.

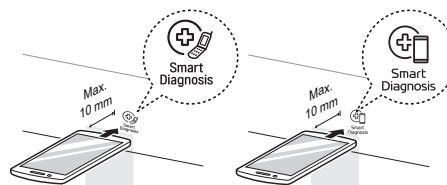
Utilisation de la fonctionnalité de diagnostic sonore pour diagnostiquer les problèmes

Suivez les instructions ci-dessous pour utiliser la fonctionnalité de diagnostic sonore.

- Lancez l'application **LG ThinQ** et sélectionnez la fonctionnalité **Smart Diagnosis** qui se trouve dans le menu. Suivez les instructions relatives au diagnostic sonore indiquées dans l'application **LG ThinQ**.

- 1 Appuyez sur la touche **START/Enter** et maintenez-la enfoncée pendant trois secondes.
 - Si l'affichage a été verrouillé, vous devez désactiver le verrouillage, puis le réactiver.

- 2 Tenez le microphone de votre téléphone devant le logo **Smart Diagnosis** situé sur le panneau de commande.



- 3 Maintenez le téléphone dans cette position jusqu'à ce que la transmission de la tonalité soit terminée. Un compte à rebours s'affichera à l'écran. Lorsque le décompte est terminé et que vous n'entendez plus les tonalités, le diagnostic s'affichera dans l'application.

REMARQUE

- Pour obtenir les meilleurs résultats, évitez de bouger le téléphone pendant la transmission sonore.

ENTRETIEN

Nettoyage

Nettoyage de l'intérieur du four

- 1 Utilisez un chiffon humide pour nettoyer les surfaces de la porte, puis essuyez les miettes qui tombent entre la porte et le cadre.
- 2 Nettoyez les éclaboussures graisseuses avec un chiffon savonneux, puis rincez et séchez l'intérieur du four.
 - Essuyez les éclaboussures sur-le-champ à l'aide d'un essuie-tout mouillé, surtout après avoir fait cuire du poulet ou du bacon.
 - Si de la vapeur s'accumule à l'intérieur ou à l'extérieur de la porte du four, essuyez les panneaux avec un chiffon doux.
 - Pour les saletés tenaces, portez à ébullition une tasse d'eau dans le four pendant deux à trois minutes. La vapeur ramollira la saleté. Pour éliminer les odeurs à l'intérieur du four, portez à ébullition une tasse d'eau additionnée d'un peu de jus de citron ou de vinaigre.
 - Si vous utilisez des nettoyants pour cuisinière à induction qui contiennent des abrasifs, vous pourriez détériorer l'apparence du produit.

Nettoyage de l'extérieur du four

- 1 Nettoyez l'extérieur du four avec de l'eau et du savon.
- 2 Rincez à l'eau claire et séchez à l'aide d'un chiffon doux ou d'un essuie-tout.
 - Pour éviter d'endommager les pièces à l'intérieur du four, ne laissez pas d'eau s'infiltrer dans les ouvertures de ventilation.
 - La porte et les joints doivent rester propres. Utilisez de l'eau chaude savonneuse pour le nettoyage. Rincez bien et séchez complètement.
 - Essuyez souvent les pièces en métal à l'aide d'un chiffon humide.

Nettoyage du panneau de commande

- 1 Ouvrez la porte pour empêcher le four de se mettre accidentellement en marche.
- 2 Essuyez avec un chiffon humide, puis avec un chiffon sec.
- 3 Appuyez sur **STOP/Clear** après le nettoyage.

Nettoyage des accessoires

Nettoyez le plateau en verre et l'anneau rotatif à l'aide d'eau légèrement savonneuse. Pour les zones très sales, utilisez un nettoyant doux et une éponge à récurer.

- Le plateau en verre et l'anneau rotatif sont lavables au lave-vaisselle.

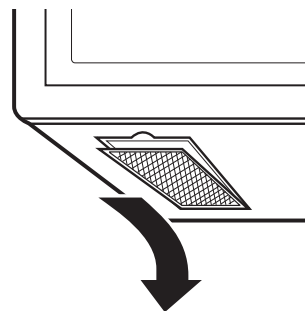
REMARQUE

- Les nettoyants abrasifs, les tampons en laine d'acier, les chiffons rugueux, les essuie-tout, et autres surfaces abrasives peuvent endommager le panneau de contrôle ainsi que les surfaces intérieures et extérieures du four.

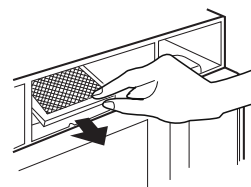
Nettoyage des filtres à graisse

Vous devez nettoyer les filtres au moins une fois par mois ou même plus souvent, si nécessaire.

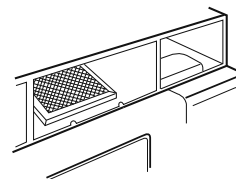
- 1 Pour retirer les filtres à graisse, faites-les glisser légèrement vers l'arrière, puis tirez-les vers le bas.



- 2 Faites tremper les filtres à graisse dans une solution d'eau chaude et de détergent doux.
- 3 Rincez-les bien, puis secouez-les pour les faire sécher.
 - N'utilisez pas d'ammoniac et ne les mettez pas au lave-vaisselle. L'aluminium pourrait noircir.
- 4 Pour réinstaller les filtres à graisse, faites glisser leur partie arrière en les insérant, puis poussez-les vers le haut pour les fixer.



- 4 Faites glisser un nouveau filtre à charbon en place.



REMARQUE

- Ne faites pas fonctionner la hotte si les filtres ne sont pas en place.

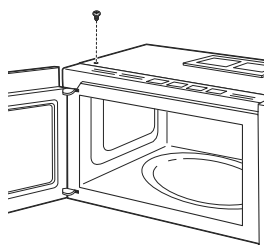
- 5 Faites glisser le bas du couvercle de ventilation pour le remettre en place. Appuyez sur le haut jusqu'à ce qu'il s'enclenche. Serrez la vis pour fixer la grille de ventilation en place.

Pièces de rechange

Remplacement du filtre à charbon

Si votre four à micro-ondes est ventilé à l'intérieur, vous devez remplacer le filtre à charbon tous les 6 à 12 mois, voire plus souvent si nécessaire. Le filtre à charbon ne peut pas être nettoyé. Pour commander un nouveau filtre à charbon, communiquez avec le centre d'information à la clientèle de LG ou rendez-vous sur le site Web lg.com.

- 1 Débranchez le cordon d'alimentation et mettez des gants.
- 2 Retirez la vis du couvercle de ventilation. Ouvrez la porte du four, puis retirez le couvercle de ventilation en le tenant des deux côtés.

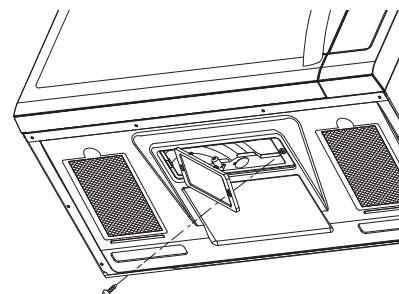


- 3 Retirez le filtre à charbon à remplacer.

- 6 Fermez la porte du four, branchez le cordon d'alimentation et réglez l'horloge.

Remplacement de la lampe de la surface de cuisson

- 1 Débranchez le cordon d'alimentation et mettez des gants avant de remplacer la lampe.
- 2 Retirez les vis du couvercle de l'ampoule et ouvrez-le.



- 3 Remplacez l'ampoule.
 - Utilisez une ampoule halogène de 130 V et 50 W.

30 ENTRETIEN

- 4** Refermez le couvercle de l'ampoule et revissez-le.

- 5** Branchez le cordon d'alimentation et réglez l'horloge.

DÉPANNAGE

FAQ

Foire aux questions

Q : Le four à micro-ondes sera-t-il endommagé s'il fonctionne alors qu'il est vide?

R : Oui. Ne faites jamais fonctionner le four s'il est vide ou si le plateau en verre a été retiré.

Q : Les micro-ondes traversent-elle la grille dans la fenêtre de la porte?

R : Non. La grille métallique réfléchit les micro-ondes vers l'intérieur du four. Les orifices ne laissent passer que la lumière; ils ne laissent pas passer les micro-ondes.

Q : Pourquoi peut-on voir une réflexion de lumière autour du châssis externe?

R : Cette lumière provient de la lampe qui se trouve entre la cavité et la paroi extérieure du four.

Q : Quels sont les différents sons que j'entends lorsque le four à micro-ondes fonctionne?

R : Les cliquetis proviennent du commutateur mécanique qui active et désactive le magnétron du four à micro-ondes.

Le bourdonnement et les cliquetis sont produits lors de l'activation et de la désactivation du commutateur mécanique du magnétron au moment de changer la puissance. La variation de la vitesse du ventilateur est causée par des variations momentanées de la tension d'alimentation, au début et à la fin des périodes d'alimentation du magnétron.

Q : Une cuisson de trop longue durée peut-elle endommager mon four à micro-ondes?

R : Comme avec tout autre appareil de cuisson, il est possible de trop cuire un aliment, jusqu'au point où il émet de la fumée et peut même s'enflammer, ce qui endommage l'intérieur du four. Il est toujours préférable de rester près du four pendant la cuisson.

Q : Pourquoi recommande-t-on de laisser reposer les aliments après la cuisson au four à micro-ondes?

R : Le temps de repos permet aux aliments de continuer à cuire uniformément pendant quelques minutes après le cycle de cuisson au four à micro-ondes. La durée de repos dépend de la densité des aliments.

Q : Pourquoi faut-il plus de temps pour cuire des aliments conservés au réfrigérateur?

R : Tout comme la cuisson classique, la cuisson au four à micro-ondes dépend de la température initiale des aliments puisqu'elle affecte la durée totale de cuisson. Vous avez besoin de plus de temps pour cuire les aliments qui sortent du réfrigérateur que pour cuire les aliments à température ambiante.

Q : Parfois, la porte du four à micro-ondes semble onduler. Est-ce normal?

R : Cette apparence est normale et ne modifie pas le fonctionnement du four à micro-ondes.

Q : Pourquoi le plateau en verre ne tourne-t-il pas?

R : Le plateau doit être orienté vers le haut et reposer fermement sur le support central. Le support ne fonctionne pas correctement. Réinstallez le plateau en verre et redémarrez le four à micro-ondes. Vous n'obtiendrez pas de bons résultats si vous cuisez des aliments sans le plateau en verre. Sur certains modèles, le plateau rotatif peut être désactivé. Reportez-vous à la section Réglage du plateau rotatif dans le chapitre Fonctionnement.

Q : Pourquoi le plat devient-il chaud lorsque je fais cuire des aliments dans le four à micro-ondes? Je croyais que cela ne devait pas se produire.

R : Lorsque les aliments deviennent chauds, ils conduisent la chaleur jusqu'au plat. Utilisez des mitaines de four pour retirer les aliments après la cuisson.

32 DÉPANNAGE

Q : Qu'est-ce que le temps de repos?

R : Le temps de repos est la période après la sortie du four de l'aliment, couvert, pour continuer la cuisson. Ce processus permet à la cuisson de se terminer, économise de l'énergie et libère le four pour d'autres utilisations.

Q : Puis-je faire éclater du maïs dans mon four à micro-ondes? Comment obtenir les meilleurs résultats?

R : Oui. Faites éclater du maïs emballé pour four à micro-ondes en suivant les instructions du fabricant ou en utilisant le bouton préprogrammé pour le maïs soufflé.
Ne pas utiliser de sacs en papier ordinaire. Utiliser le test d'écoute en arrêtant le four dès que l'on n'entend plus qu'un éclatement toutes les secondes ou toutes les deux secondes. Ne pas essayer de faire éclater des grains qui n'ont pas éclaté. Il est possible d'utiliser des éclateurs de maïs pour four à micro-ondes. Avec ceux-ci, s'assurer de suivre les instructions du fabricant. Ne pas faire éclater de maïs dans des ustensiles en verre.

Q : Pourquoi de la vapeur sort-elle de la grille de ventilation?

R : Il est normal que de la vapeur soit produite pendant la cuisson. Le four à micro-ondes a été conçu pour évacuer cette vapeur par l'évent.

Q : Pourquoi les touches de fonctions ne fonctionnent-elles pas?

R : Assurez-vous que le four à micro-ondes n'est pas en mode Verrouillage des commandes. « Loc » s'affichera à l'écran si le mode Verrouillage des commandes est activé. Pour désactiver le mode Verrouillage des commandes, appuyez sur la touche **STOP/Clear** et maintenez-la enfoncée pendant trois secondes.

Avant d'appeler le réparateur

Consultez cette section du manuel avant de demander un service d'entretien; ce faisant, vous économiserez temps et argent.

Pour obtenir des informations détaillées ou des vidéos, visitez le site www.lg.com pour la page de dépannage.

Fonctionnement

Symptômes	Causes possibles et solutions
Le four à micro-ondes ne se met pas en marche	<p>Le cordon d'alimentation n'est pas branché, la porte est ouverte ou le temps de cuisson n'a pas été réglé.</p> <ul style="list-style-type: none"> • Branchez le cordon d'alimentation ou vérifiez le disjoncteur ou le fusible du circuit électrique de votre résidence. • Fermez la porte du four. • Réglez le temps de cuisson.
	<p>La fonction de minuterie a démarré.</p> <ul style="list-style-type: none"> • Si l'écran affiche le compte à rebours, mais que le four ne cuit pas, vérifiez si une fonction de minuterie aurait démarré au lieu de la fonction de cuisson.
La lampe du four ne fonctionne pas.	<p>Le cordon d'alimentation est débranché.</p> <ul style="list-style-type: none"> • Branchez le cordon d'alimentation.
Il y a formation d'arcs ou d'étincelles.	<p>Les accessoires de cuisson ne vont pas au four à micro-ondes, ou le four fonctionne alors qu'il est vide.</p> <ul style="list-style-type: none"> • Utilisez des accessoires de cuisson qui vont au four à micro-ondes. En cas de doute, testez les accessoires avant de les utiliser. • Ne faites pas fonctionner le four lorsqu'il est vide.
	<p>Les liens torsadés métalliques n'ont pas été retirés des sacs de papier ou de plastique. La grille métallique est peut-être mal installée.</p> <ul style="list-style-type: none"> • Retirez les liens torsadés métalliques des sacs de papier ou de plastique. • Placez la grille en bon appui sur les quatre supports de plastique.
L'heure affichée n'est pas la bonne.	<p>Il y a eu une coupure de courant.</p> <ul style="list-style-type: none"> • Réglez l'heure de nouveau. Consultez la section Réglage de l'horloge pour régler la bonne heure.
La cuisson des aliments n'est pas uniforme.	<p>Les accessoires de cuisson ne vont pas au four à micro-ondes. Les réglages de cuisson sont peut-être inadéquats.</p> <ul style="list-style-type: none"> • Vérifiez que les accessoires de cuisson sont bien conçus pour aller au four à micro-ondes. • Ne faites pas cuire vos aliments sans le plateau en verre. • Retournez ou mélangez les aliments pendant la cuisson. • Décongelez complètement les aliments avant la cuisson. • Utilisez le temps de cuisson et le niveau de puissance adéquats. • Vérifiez la disposition du papier d'aluminium utilisé pour empêcher une cuisson excessive.
Les aliments sont trop cuits.	<p>Les réglages et les modes de cuisson sont inadéquats.</p> <ul style="list-style-type: none"> • Modifiez le temps de cuisson ou le niveau de puissance.
Les aliments ne sont pas assez cuits.	<p>Les accessoires de cuisson ne vont pas au four à micro-ondes. Les réglages de cuisson sont peut-être inadéquats.</p> <ul style="list-style-type: none"> • Vérifiez que les accessoires de cuisson sont bien conçus pour aller au four à micro-ondes. • Décongelez complètement les aliments avant la cuisson. • Modifiez le temps de cuisson ou le niveau de puissance. • Assurez-vous que les orifices de ventilation ne sont pas obstrués.

34 DÉPANNAGE

Symptômes	Causes possibles et solutions
La décongélation n'est pas adéquate.	<p>Les accessoires de cuisson ne vont pas au four à micro-ondes. Les réglages de cuisson sont peut-être inadéquats.</p> <ul style="list-style-type: none"> • Vérifiez que les accessoires de cuisson sont bien conçus pour aller au four à micro-ondes. • Modifiez le temps de décongélation ou le poids. • Retournez ou mélangez les aliments pendant le cycle de décongélation.
L'humidité s'accumule sur la fenêtre du four ou de la vapeur sort de l'évent du four.	<p>Cela se produit lors de la cuisson d'aliments à teneur élevée en humidité.</p> <ul style="list-style-type: none"> • C'est normal.

Wi-Fi

Symptômes	Causes possibles et solutions
L'appareil et le téléphone intelligent n'arrivent pas à se connecter au réseau Wi-Fi.	<p>Le mot de passe du réseau Wi-Fi a été saisi de manière incorrecte.</p> <ul style="list-style-type: none"> • Supprimez votre réseau Wi-Fi domestique et recommencez le processus de connexion.
	<p>Les Données mobiles de votre téléphone intelligent sont activées.</p> <ul style="list-style-type: none"> • Désactivez les données mobiles de votre téléphone intelligent avant de connecter l'appareil.
	<p>Le nom du réseau sans fil (SSID) est erroné.</p> <ul style="list-style-type: none"> • Le nom du réseau sans fil (SSID) doit être une combinaison de lettres et de chiffres anglais. (N'utilisez pas de caractères spéciaux.)
	<p>La fréquence du routeur n'est pas de 2.4 GHz.</p> <ul style="list-style-type: none"> • Seule une fréquence de routeur de 2.4 GHz est prise en charge. Réglez le routeur sans fil à 2.4 GHz et connectez-y l'appareil. Pour connaître la fréquence du routeur, informez-vous auprès de votre fournisseur de services Internet ou du fabricant du routeur.
	<p>L'appareil et le routeur sont trop éloignés l'un de l'autre.</p> <ul style="list-style-type: none"> • Si la distance entre l'appareil et le routeur est trop grande, le signal peut être faible et la connexion peut ne pas être configurée correctement. Déplacez le routeur afin qu'il soit plus près de l'appareil ou achetez et installez un répéteur Wi-Fi.
	<p>Lors de la configuration du réseau Wi-Fi, l'application demande un mot de passe pour se connecter au produit (sur certains téléphones).</p> <ul style="list-style-type: none"> • Trouvez le nom du réseau, qui commence par « LG », sous Paramètres > Réseaux. Notez la dernière partie du nom du réseau. <ul style="list-style-type: none"> - Si le nom du réseau ressemble à LGE_Appliance_XX-XX-XX, saisissez lge12345. - Si le nom du réseau ressemble à LGE_Appliance_XXXX, saisissez XXXX deux fois à titre de mot de passe. Par exemple, si le nom du réseau s'affiche comme LGE_Appliance_8b92, vous devrez donc saisir 8b928b92 comme mot de passe. Dans ce cas-ci, le mot de passe est sensible à la casse et les quatre derniers caractères sont propres à votre appareil.

GARANTIE LIMITÉE

CANADA

CONDITIONS

AVIS D'ARBITRAGE : LA PRÉSENTE GARANTIE LIMITÉE CONTIENT UNE DISPOSITION RELATIVE À L'ARBITRAGE STIPULANT QUE VOUS ET LG DEVEZ RÉSOUDRE TOUT DIFFÉREND PAR ARBITRAGE PLUTÔT QUE DEVANT UN TRIBUNAL, À MOINS QUE LES LOIS DE VOTRE PROVINCE OU TERRITOIRE NE LE PERMETTENT PAS OU, DANS LE CAS D'AUTRES JURIDICTIONS, SI VOUS CHOISISSEZ DE VOUS RETIRER. PRÉCISONS QUE CETTE DISPOSITION D'ARBITRAGE N'EST PAS APPLICABLE AUX CONSOMMATEURS QUI RÉSIDENT EN ONTARIO, COLOMBIE-BRITANNIQUE OU AU QUÉBEC. EN ARBITRAGE, LES RECOURS COLLECTIFS ET LES PROCÈS DEVANT JURY NE SONT PAS AUTORISÉS. VEUILLEZ CONSULTER LA SECTION INTITULÉE « PROCÉDURE DE RÈGLEMENT DES DIFFÉRENDS » CI-DESSOUS.

QUÉBEC SEULEMENT: LG est fière de supporter ses produits et déploie tous les efforts raisonnables pour assurer l'entretien et la réparation de ses produits, le cas échéant. Vous pouvez accéder au catalogue des pièces et services disponibles à l'adresse https://www.lg.com/ca_fr/soutien/. CÉPENDANT, LG NE GARANTIT D'AUCUNE FAÇON ET NE FAIT AUCUNE DÉCLARATION CONCERNANT LA DISPONIBILITÉ D'UNE PIÈCE DE RECHANGE OU DE REMPLACEMENT SPÉCIFIQUE, D'UN SERVICE DE RÉPARATION OU D'INFORMATIONS OU D'INSTRUCTIONS POUR UN TEL ENTRETIEN À QUELQUE MOMENT QUE CE SOIT. LG EXCLUE EXPRESSÉMENT TOUTE GARANTIE OU OBLIGATION EN CE QUI CONCERNE CETTE DISPONIBILITÉ.

Si votre produit Four à micro-ondes LG (« Produit ») a tombé en panne en raison d'un défaut de matériaux ou de fabrication sous une utilisation normale et appropriée, pendant la période de garantie indiquée ci-dessous, LG Electronics Canada Inc. (« LGECI »), à son gré, réparera ou remplacera le « Produit » ou un offrira un remboursement au prorata après réception de la preuve d'achat originale au détail. Cette garantie limitée est valable uniquement qu'à l'acheteur original du « Produit » du détaillant et s'applique uniquement à un produit distribué, cacheté d'un détaillant autorisé et utilisé au Canada, tel que déterminé à la seule discrétion de « LGECI ».

PÉRIODE DE GARANTIE: (Remarque : Dans le cas où la date d'achat initial ne peut pas être vérifiée, la garantie commence soixante (60) jours après la date de fabrication.)	
Four-hotte / micro-ondes à convection / micro-ondes encastré / tout four à micro-ondes	Garantie prolongée sur les pièces seulement
Un (1) an après la date d'achat original de l'appareil.	Dix (10) an à compter de la date d'achat initiale
Pièces et main-d'oeuvre (service à domicile; four-hotte et micro-ondes à convection) (pièces internes fonctionnelles seulement)	Onduleur du magnétron seulement

- Les produits et les pièces de remplacement sont garantis pour la portion restante de la période de garantie d'origine ou durant quatre-vingt-dix (90) jours, selon la période la plus longue.
- Les produits et les pièces de remplacement peuvent être neufs, reconditionnés, remis à neuf ou réusinés, à la seule discrétion de LGECI.
- Une preuve de l'achat original indiquant le modèle du produit et la date d'achat est exigée pour obtenir le service de garantie en vertu de cette garantie limitée.

AVIS DE NON-RESPONSABILITÉ :

SI VOUS ÊTES UN CONSOMMATEUR SOUMIS À LA LÉGISLATION SUR LA PROTECTION DU CONSOMMATEUR DU QUÉBEC, COLOMBIE-BRITANNIQUE OU DE L'ONTARIO, L'EXCLUSION DE GARANTIES CONTENUE DANS CETTE SECTION N'EXCLUT PAS NI NE LIMITE LES DROITS ET RECOURS QUE VOUS POUVEZ AVOIR EN VERTU DE CETTE LOI, Y COMPRIS LE DROIT DE PRÉSENTER UNE RÉCLAMATION EN VERTU DE L'UNE DES GARANTIES LÉGALES.

LA RESPONSABILITÉ DE LGECI EST LIMITÉE À LA GARANTIE LIMITÉE EXPRIMÉE CI-DESSUS, À MOINS QU'UNE TELLE LIMITATION SOIT INTERDITE PAR LES LOIS DE VOTRE PROVINCE DE RÉSIDENCE. SAUF

36 GARANTIE LIMITÉE

SELON LES MODALITÉS EXPRESSÉMENT PRÉVUES CI-DESSUS, OU SI LA LOI DE LA PROVINCE DE RÉSIDENCE L'INTERDIT, LGECI NE DONNE AUCUNE AUTRE GARANTIE OU CONDITION CONCERNANT LE PRODUIT, ET PAR LA PRÉSENTE EXCLUT TOUTE AUTRE GARANTIE ET CONDITION CONCERNANT LE PRODUIT, QU'ELLE SOIT EXPRESSE OU IMPLICITE, Y COMPRIS, MAIS SANS S'Y LIMITER, TOUTE GARANTIE OU CONDITION IMPLICITE DE QUALITÉ MARCHANDE OU D'ADAPTATION À UN USAGE PARTICULIER, ET AUCUNE DÉCLARATION NE POURRA LIER LGECI. LGECI N'AUTORISE AUCUNE PERSONNE À CRÉER OU À ASSUMER EN SON NOM TOUTE AUTRE GARANTIE, OBLIGATION OU RESPONSABILITÉ EN RAPPORT AVEC LE PRODUIT. DANS LA MESURE OÙ TOUTE GARANTIE OU CONDITION EST IMPLICITE PAR LA LOI, CETTE GARANTIE EST LIMITÉE À LA PÉRIODE DE GARANTIE PRÉVUE CI-DESSUS. EN AUCUN CAS LGECI, LE FABRICANT OU LE DÉTAILLANT DU PRODUIT NE SONT RESPONSABLES DES DOMMAGES ACCESSOIRES, CONSÉCUTIFS, SPÉCIAUX, DIRECTS OU INDIRECTS, PUNITIFS OU EXEMPLAIRES, Y COMPRIS, MAIS SANS S'Y LIMITER, LA PERTE DE CLIENTÈLE, LA PERTE DE PROFITS, LA PERTE DE PROFITS ANTICIPÉS, LA PERTE DE REVENUS, LA PERTE D'UTILISATION OU TOUT AUTRE DOMMAGE DÉCOULANT DIRECTEMENT OU INDIRECTEMENT DE TOUTE INFRACTION CONTRACTUELLE, VIOLATION FONDAMENTALE, DÉLICTEUELLE OU AUTRE, OU DE TOUT ACTE OU OMISSION. LA RESPONSABILITÉ TOTALE DE LGECI, LE CAS ÉCHÉANT, NE POURRA EN AUCUN CAS EXCÉDER LA SOMME QUE VOUS AVEZ PAYÉE POUR ACQUÉRIR LE PRODUIT.

Cette garantie limitée vous confère des droits légaux spécifiques. Vous pouvez peut-être jouir d'autres droits qui peuvent varier en fonction de la province et des lois qui y sont appliquées. Toute clause de cette garantie limitée qui annule ou modifie toute condition ou garantie implicite en vertu de la loi provinciale est dissociable si elle entre en conflit avec la loi provinciale, sans toutefois affecter le reste des conditions de cette garantie.

LA PRÉSENTE GARANTIE LIMITÉE NE COUVRE PAS CE QUI SUIT :

- Tout déplacement du technicien pour : i) livrer, reprendre ou installer le Produit, ou en expliquer le fonctionnement; ii) corriger le câblage; ou iii) rectifier toute réparation ou installation non-autorisée du Produit;
- Dommage ou panne du Produit à performer lors de panne de courant et service électrique inadéquat ou interrompu;
- Dommage ou panne résultant de l'utilisation du Produit dans un environnement corrosif ou contraire aux instructions détaillées dans le manuel d'utilisation du Produit;
- Dommage ou panne du Produit en raison d'accidents, ravageurs et parasites, foudre, vent, feu, inondations, actes de Dieu ou toute autre raison hors du contrôle de LGECI ou du fabricant;
- Dommage ou panne résultant d'utilisation inappropriée ou abusive ou d'installation, réparation ou entretien imparfait du Produit. Une réparation imparfaite inclut l'utilisation de pièces non autorisées ou spécifiées par LGECI. Une installation ou un entretien imparfait inclut toute installation ou entretien contraire aux instructions détaillées au manuel d'utilisation du Produit;
- Dommage ou panne en raison de modification ou altération non autorisée du Produit, ou si utilisé pour fins autres que celle d'appareil ménager domestique, ou dommage ou panne résultant de toute fuite d'eau due à une mauvaise installation du produit;
- Dommage ou panne en raison de courant électrique, tension ou codes de ventilation incorrects;
- Dommage ou panne en raison d'une utilisation autre que celle d'appareil ménager domestique normal, incluant, mais sans s'y limiter, l'utilisation commerciale ou industrielle, dont une utilisation dans des bureaux commerciaux ou dans un centre récréatif, ou détaillée autrement dans le manuel d'utilisation du Produit;
- Dommage ou panne provoqué par le transport et manipulation, incluant rayures, bosses, écaillage et/ou autre endommagement à la finition du Produit, à moins que tel dommage ait résulté de fabrication ou matériaux défectueux et rapporter à LGECI dans la (1) semaine suivant livraison du Produit;
- Dommage or articles absents de tout Produit démonstrateur, boîte ouverte, réusiné ou escompté;
- Produit réusiné ou tout Produit vendu « Tel quel », « Tel que disponible », « Avec tous les défauts », ou toute mise en garde similaire;
- Produit dont le numéro de série original ait été retiré, altéré ou ne peut être facilement déterminé à la discrétion de LGECI;

- Augmentation de la facture d'électricité et dépenses additionnelles d'utilité de quelque manière associée au Produit;
- Tout bruit associé au fonctionnement normal du Produit;
- Remplacement des ampoules, filtres, fusibles ou tout autre élément consommable;
- Remplacement de toute pièce n'étant pas originalement incluse avec le Produit;
- Coûts associés au retrait et/ou réinstallation du Produit pour fins de réparation; et
- Les clayettes, tiroirs, poignées et accessoires du Produit, sauf les pièces internes / fonctionnelles couvertes par cette garantie limitée.
- Couverture pour réparations à domicile, pour produit sous garantie, sera fournie si le Produit se trouve dans un rayon de 150 km du centre de service autorisé (ASC) le plus près, tel que déterminé par LG Canada. Si votre Produit est situé à l'extérieur du rayon de 150 km d'un centre de service autorisé, tel que déterminé par LG Canada, il en ira de votre responsabilité d'apporter votre Produit, à vos frais, au centre de service (ASC) pour réparation sous garantie.

Tous coûts et dépenses associés aux circonstances exclues ci-dessus, énumérés sous la rubrique "Cette garantie limitée ne couvre pas" sont à la charge du consommateur.

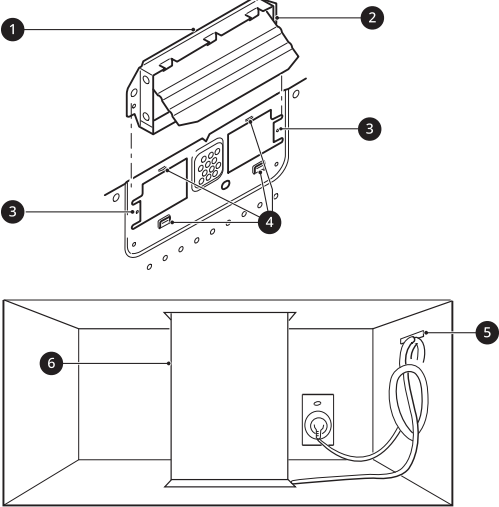
AFIN D'OBTENIR SOUTIEN DE GARANTIE ET INFORMATIONS SUPPLÉMENTAIRES VEUILLEZ NOUS APPELER OU VISITER NOTRE SITE WEB :

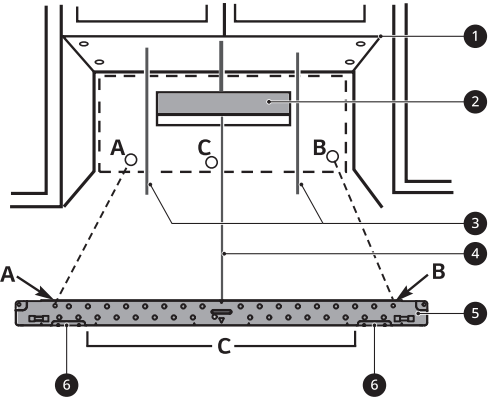
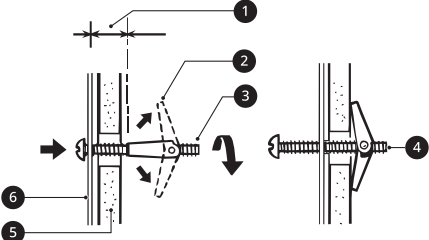
Appelez le [1-888-542-2623](tel:1-888-542-2623) (8 h à 21 h EST, 365 jours) et sélectionnez l'option appropriée à partir du menu, ou visitez le site web au <http://www.lg.com>

NON COUVERT PAR LA GARANTIE

Problème	Cause	Solution
L'appareil ne s'allume pas	<ul style="list-style-type: none"> • L'alimentation de la maison est éteinte (alimentation électrique) • Disjoncteur déclenché. • Le cordon d'alimentation n'est pas correctement installé. 	<ul style="list-style-type: none"> • Vérifier l'alimentation électrique de la maison. • Vérifier le raccordement approprié du cordon d'alimentation. • Vérifier la rallonge.
Étincelle/Formation d'arc	Ustensile à feuille d'aluminium ou en métal utilisé en mode micro-ondes.	<ul style="list-style-type: none"> • Consulter les consignes de l'utilisateur. • NE PAS utiliser d'ustensiles à feuille d'aluminium ou en métal en mode micro-ondes.

38 GARANTIE LIMITÉE

Problème	Cause	Solution
<p>L'évent ne fonctionne pas.</p> <ul style="list-style-type: none"> • Ventilation faible ou inexistante. • Bruit anormal pendant le fonctionnement. • Surchauffe du produit. 	<ul style="list-style-type: none"> • Mauvais sens ou installation de l'appareil de ventilation. • Mauvais conduit ou raccordement de l'amortisseur.  <ol style="list-style-type: none"> ➊ Raccord d'évacuation ➋ Clapet de refoulement (côté charnière vers le haut) ➌ Guides ➍ Pattes de verrouillage ➎ Serre-câbles pour le cordon d'alimentation ➏ Conduit 	<ul style="list-style-type: none"> • Vérifier le sens de l'appareil de ventilation et réinstaller si nécessaire. • Aligner correctement les orifices d'évacuation et l'ouverture de la plaque du ventilateur. • Les orifices d'évacuation de l'appareil de ventilation doivent être complètement exposés à l'extérieur. • Après l'installation, vérifier la trajectoire de ventilation de l'air.

Problème	Cause	Solution
<p>Problème d'installation du four à micro-ondes.</p> <ul style="list-style-type: none"> • Bruit de vibration • Appareil n'est pas nivelé • Dommages d'installation 	<ul style="list-style-type: none"> • Vis du support de montage pas complètement fixée. • Plaque de montage non alignée. <ul style="list-style-type: none"> - Trous de 3/16 po dans les montants, trous de 5/8 po dans une cloison sèche seulement.  <ol style="list-style-type: none"> ① Minimum de 66 po à partir du plancher ② Pour la ventilation murale seulement ③ Tracez des lignes sur les montants ④ Tracez la ligne centrale ⑤ Plaque de montage ⑥ Attache de support  <ol style="list-style-type: none"> ① Espace plus grand que l'épaisseur du mur ② Ouvrir les ailettes ③ Boulon à ailettes ④ Extrémité de la vis ⑤ Mur ⑥ Plaque de montage <ul style="list-style-type: none"> • Produit mal transporté / installé. 	<p>Vérifier d'abord auprès de l'installateur.</p>

PROCÉDURE DE RÈGLEMENT DES DIFFÉRENDS :

SAUF LÀ OÙ LA LOI L'INTERDIT (Y COMPRIS EN CE QUI CONCERNE LES CONSOMMATEURS DU QUÉBEC, DE LA COLOMBIE-BRITANNIQUE ET DE L'ONTARIO), TOUS LES DIFFÉRENDS ENTRE VOUS ET LG DÉCOULANT OU SE RAPPORTANT DE QUELQUE MANIÈRE QUE CE SOIT À CETTE GARANTIE LIMITÉE OU AU PRODUIT SERONT RÉSOLUS EXCLUSIVEMENT PAR ARBITRAGE EXÉCUTOIRE, ET NON DEVANT UN TRIBUNAL DE DROIT COMMUN. SAUF LÀ OÙ LA LOI L'INTERDIT (Y COMPRIS EN CE QUI CONCERNE LES CONSOMMATEURS DU QUÉBEC, DE LA COLOMBIE-BRITANNIQUE ET DE L'ONTARIO), VOUS ET LG

40 GARANTIE LIMITÉE

RENONCEZ IRRÉVOCABLEMENT AU DROIT À UN PROCÈS DEVANT JURY ET À INTENTER OU À PARTICIPER À UN RECOURS COLLECTIF.

Définitions. Aux fins du présent article, « LG » désigne LG Electronics Canada inc., ses sociétés mères, filiales et sociétés affiliées, et leurs dirigeants, employés, administrateurs, agents, bénéficiaires, prédécesseurs titulaires des mêmes droits, successeurs, cessionnaires et fournisseurs; « différend » ou « réclamation » désignent tout différend ou litige ou toute réclamation de quelque nature que ce soit (qu'elle soit fondée sur un contrat, délit, statut, règlement, ordonnance, fraude, fausse déclaration ou toute autre théorie juridique ou équitable) liés de quelque manière que ce soit à la vente, à l'état ou au rendement du produit ou à la présente garantie limitée, ou découlant de ceux-ci.

Avis de différend. Dans l'éventualité où vous avez l'intention d'engager une procédure d'arbitrage, vous devez d'abord aviser LG par écrit au moins 30 jours avant le début de l'arbitrage en envoyant une lettre à l'attention de l'équipe juridique de LGECI au 20, Norelco Drive, North York (Ontario), Canada, M9L 2X6 (l'« avis de différend »). Vous et LG acceptez de discuter en toute bonne foi dans le but de régler votre réclamation à l'amiable. L'avis doit indiquer votre nom, adresse et numéro de téléphone, identifier le produit faisant l'objet de la réclamation et décrire la nature de la réclamation ainsi que le redressement demandé. Si vous et LG ne parvenez pas à résoudre le différend dans les 30 jours suivant la réception par LG de l'avis de différend, le différend sera résolu par un arbitrage exécutoire conformément à la procédure décrite dans les présentes. Vous et LG convenez tous deux que, pendant la procédure d'arbitrage, les modalités (y compris tout montant) de toute offre de règlement faite par vous ou LG ne seront pas divulguées à l'arbitre jusqu'à ce que l'arbitre tranche le différend.

Accord sur l'arbitrage exécutoire et renonciation à un recours collectif. À défaut de résoudre le différend au cours de la période de 30 jours suivant la réception par LG de l'avis de différend, vous et LG acceptez de résoudre toute réclamation entre vous et LG uniquement par arbitrage exécutoire sur une base individuelle, à moins que vous choisissiez de vous retirer, comme il est indiqué ci-dessous, ou que vous résidiez dans une province ou un territoire qui empêche la pleine application de cette clause dans les circonstances des réclamations en question (dans ce cas, si vous êtes un consommateur, cette clause ne s'appliquera que si vous acceptez expressément l'arbitrage). Dans la mesure permise par la loi applicable, tout différend entre vous et LG ne doit pas être combiné ou consolidé avec un différend impliquant le produit ou la réclamation de toute autre personne ou entité. Plus précisément, sans limitation de ce qui précède, sauf dans la mesure où une telle interdiction n'est pas permise par la loi, tout différend entre vous et LG ne pourra en aucun cas se poursuivre sous forme de recours collectif ou d'action dérivée. Au lieu de l'arbitrage, l'une ou l'autre des parties peut intenter une demande en justice auprès de la Cour des petites créances, mais cette demande auprès de la Cour des petites créances ne peut être intentée sous forme de recours collectif ou d'action dérivée, sauf dans la mesure où une telle interdiction n'est pas autorisée par la loi dans votre province ou territoire de compétence pour une réclamation en cause entre vous et LG. Cette disposition ne s'applique pas aux consommateurs de l'Ontario, de la Colombie-Britannique et du Québec. Conformément à la législation provinciale, le consommateur et LG peuvent convenir de résoudre le différend en utilisant toute procédure disponible, y compris en intentant une action devant les tribunaux compétents de ces provinces.

Règles et procédures d'arbitrage. Pour engager l'arbitrage d'une réclamation, une demande écrite d'arbitrage doit être soumise par vous ou LG. L'arbitrage sera privé et confidentiel, et se déroulera sur une base simplifiée et accélérée devant un arbitre unique choisi par les parties en vertu de la loi et des règles provinciales ou territoriales sur l'arbitrage commercial de la province ou du territoire où vous résidez. Vous devez également envoyer une copie de votre demande écrite à LG à l'adresse LG Electronics, Canada, Inc., Attn: Legal Department- Arbitration, 20, Norelco Drive, North York (Ontario), M9L 2X6. Cette disposition relative à l'arbitrage est régie par la législation provinciale ou territoriale applicable en matière d'arbitrage commercial. Pour les consommateurs de l'Ontario, de la Colombie-Britannique et du Québec, la législation applicable en matière d'arbitrage ne s'applique que si les consommateurs acceptent de soumettre le litige à l'arbitrage. Un jugement peut être rendu sur décision de l'arbitre devant tout tribunal compétent. Toute question doit être tranchée par l'arbitre, à l'exception des questions relatives à la portée et à l'applicabilité de la disposition relative à l'arbitrage et à l'arbitrabilité du différend, qui doivent être tranchées par la cour. L'arbitre est lié par les modalités de cette disposition.

Loi applicable. La loi de votre province ou territoire d'achat régira cette garantie limitée et tout différend entre vous et LG, sauf dans la mesure où cette loi est remplacée ou qu'elle entre en conflit avec la loi fédérale, provinciale ou territoriale applicable. Si l'arbitrage n'est pas autorisé pour régler une réclamation, une poursuite, un différend ou un litige vous opposant à LG, les deux parties s'en remettront à la compétence exclusive des tribunaux de votre province ou territoire d'achat pour le règlement de la réclamation, de la poursuite, du différend ou du litige qui vous oppose.

Coûts/frais. Vous n'avez pas besoin de payer des frais pour engager l'arbitrage. Dès réception de votre demande écrite d'arbitrage, LG réglera rapidement tous les frais de dépôt à l'arbitrage, à moins que vous réclamiez plus de 25 000 \$ en dommages-intérêts, et dans ce cas, le paiement de ces frais sera régi par les règles d'arbitrage applicables. Sauf indication contraire aux présentes, LG paiera tous les frais de dépôt, d'administration et d'arbitrage pour tout arbitrage engagé conformément aux règles d'arbitrage applicables et de cette disposition relative à l'arbitrage. Si vous obtenez gain de cause dans l'arbitrage, LG paiera les frais et honoraires de vos avocats, dans la mesure où ils sont raisonnables, en tenant compte de certains facteurs, y compris, mais sans s'y limiter, le montant de l'achat et de la réclamation. Nonobstant ce qui précède, si la loi applicable permet d'accorder une indemnité raisonnable de frais et d'honoraires d'avocats, l'arbitre peut l'accorder dans la même mesure qu'un tribunal. Si l'arbitre estime que votre réclamation ou que la mesure réparatoire demandée dans la réclamation est frivole ou qu'elle se base sur des motifs déplacés (déterminés par les normes énoncées dans les lois applicables), alors le paiement de tous les frais d'arbitrage sera régi par les règles d'arbitrage applicables. Dans un tel cas, vous convenez de rembourser LG pour toutes les sommes déjà versées par l'entreprise, sommes que vous seriez autrement dans l'obligation de payer en vertu des règles d'arbitrage applicables. Sauf indication contraire, LG renonce à tous les droits qu'elle pourrait avoir relativement à la réclamation de frais et honoraires d'avocats si LG prévaut lors de l'arbitrage.

Audiences et emplacement. Si votre réclamation est de 25 000 \$ ou moins, vous pouvez choisir que l'arbitrage soit mené seulement (1) sur la base des documents soumis à l'arbitre, (2) par l'intermédiaire d'une audience téléphonique, ou (3) par l'intermédiaire d'une audience en personne, tel qu'il est établi par les règles d'arbitrage applicables. Si votre réclamation est supérieure à 25 000 \$, le droit à une audience sera déterminé par les règles d'arbitrage applicables. Toute audience d'arbitrage en personne se tiendra au lieu d'arbitrage le plus proche et le plus pratique pour les deux parties, dans la province ou le territoire où vous résidez, à moins que vous et LG conveniez d'un autre lieu ou d'un arbitrage téléphonique.

Divisibilité et renoncement. Si une partie de la présente garantie limitée (y compris les présentes procédures d'arbitrage) est inapplicable, les autres dispositions resteront pleinement en vigueur dans la mesure maximale autorisée par la loi applicable. Si LG ne parvient pas à faire respecter strictement toute disposition de la présente garantie limitée (y compris les présentes procédures d'arbitrage), cela ne signifie pas que LG a l'intention de renoncer ou a renoncé à toute disposition ou partie de la présente garantie limitée.

Option de retrait. La disposition d'arbitrage stipule que vous et LG devez résoudre tout différend par arbitrage exécutoire plutôt que devant un tribunal, à moins que les lois de votre province ou territoire ne le permettent pas, ou, dans le cas d'autres systèmes juridiques, si vous choisissez de vous retirer. Cette disposition d'arbitrage ne s'applique pas aux consommateurs de l'Ontario, de la Colombie-Britannique et du Québec.

Pour les personnes qui relèvent des dispositions relatives à l'arbitrage obligatoire, vous pouvez choisir de vous retirer de la présente procédure de résolution des différends. Si vous choisissez de vous retirer, ni vous ni LG ne pouvez obliger l'autre partie à participer à une procédure d'arbitrage. Pour vous retirer, vous devez envoyer un avis à LG dans les 30 jours civils à compter de la date d'achat du produit par le premier acheteur (i) en envoyant un courriel à optout@lge.com avec pour objet : « Retrait de l'arbitrage » ou (ii) en composant le 1-800-980-2973. Vous devez indiquer dans le courriel de retrait ou fournir par téléphone : (a) votre nom et adresse; (b) la date à laquelle le produit a été acheté; (c) le nom de modèle du produit ou le numéro de modèle; et (d) le numéro de série (le numéro de série se trouve (i) sur le produit ou (ii) en ligne en vous rendant au https://www.lg.com/ca_fr/trouvermodele_serie/).

Si vous vous prévaliez de l'option de retrait, la loi de votre province ou territoire de résidence régira cette garantie limitée et tout litige entre vous et LG, sauf dans la mesure où cette loi est remplacée ou qu'elle entre en conflit avec la loi fédérale, provinciale ou territoriale applicable. Si l'arbitrage n'est pas autorisé pour régler une réclamation, une poursuite, un différend ou un litige vous opposant à LG, les deux parties acceptent de s'en remettre à la compétence exclusive des tribunaux de votre province ou territoire de résidence pour le règlement de la réclamation, de la poursuite, du différend ou du litige qui vous oppose.

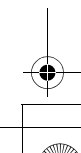
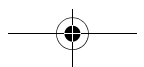
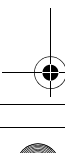
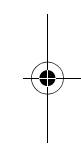
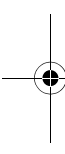
Vous pouvez uniquement vous retirer de la procédure de résolution des différends de la manière décrite ci-dessus (c'est-à-dire par courriel ou par téléphone); aucune autre forme d'avis ne sera valable pour vous retirer de la procédure de résolution des différends. Le retrait de cette procédure de résolution des différends n'aura aucune incidence sur la couverture de la garantie limitée, et vous continuerez de profiter de tous les avantages de cette dernière. Si vous conservez ce produit et ne vous retirez pas de la procédure, vous acceptez toutes les conditions de la disposition relative à l'arbitrage décrites ci-dessus.

42 GARANTIE LIMITÉE

Conflit de modalités. En cas de conflit ou d'incompatibilité entre les modalités de la présente garantie limitée et du contrat de licence d'utilisateur final (« CLUF ») en ce qui concerne le règlement des différends, les modalités de la présente garantie limitée contrôlent et régissent les droits et obligations des parties et ont préséance sur le CLUF.



AIDE-MÉMOIRE





LG Customer Information Center	Centro de Información al Cliente LG	Centre de Service à la Clientèle de LG
<p>For inquiries or comments, visit www.lg.com or call: 1-800-243-0000 U.S.A. 1-888-542-2623 CANADA</p>	<p>Para consultas o comentarios, visite www.lg.com o llame por teléfono: 1-800-243-0000 EE.UU. 1-888-542-2623 CANADÁ</p>	<p>Pour des questions ou des commentaires, visitez www.lg.com/ca_fr ou appelez : 1-800-243-0000 ÉTATS-UNIS 1-888-542-2623 CANADA</p>
<p>Register your product Online!</p>	<p>¡Registre su producto en línea!</p>	<p>Enregistrez votre produit en ligne!</p>
<p>www.lg.com</p>	<p>www.lg.com</p>	<p>www.lg.com/ca_fr</p>