



## Kitchenaid® Réfrigérateur côte à côte encastré avec intérieur platine - 42 po - 25.5 pi cu

KBSN742SPS

### Finis/couleurs disponibles

 KBSN742SPS  
Acier inoxydable à fini PrintShield™

 KBSN742SPA  
Prêt pour panneau

 KBSN742SJP  
Genévrier

 KBSN742SBE  
Minerai noir

Ce réfrigérateur encastré côte à côte met en valeur votre espace grâce avec des styles élégants et offre l'option de rehausser davantage avec des accessoires personnalisables. Plusieurs options d'installation vous permettent de choisir le style d'installation qui correspond à votre esthétique : affleurant pour un aspect harmonieux, recouvert pour un aspect intégré discret, ou Proud pour une présence remarquée. L'intérieur platine emblématique éblouit avec sa garniture en simili bois et ses accents métalliques tandis que la zone de préparation sous tablette tire parti de l'espace non-utilisé avec un moule à pâtisserie et un moule à pain inclus que vous pouvez transférer directement du réfrigérateur au four puis au lave-vaisselle.


### Caractéristiques clés


**Conçu pour être personnalisé**

**Plusieurs options d'installation**

**Zone de préparation sous tablette**

### Guides et documentation:

 [Guide des dimensions](#)

 [Guide énergétique](#)

 [Instructions d'installation](#)

 [Guides d'installation](#)

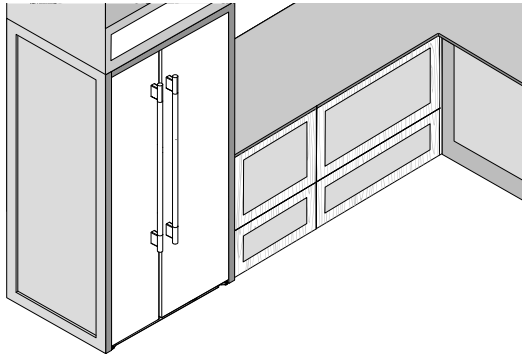
 [Renseignements sur la garantie](#)

Dimensions		Commandes	
Profondeur	27.75	Mode Sabbat	Oui
Hauteur	83.25	Voyant du filtre à eau/Réinitialisation	Extérieur
Largeur	42.31	Avertisseur de porte ouverte ou entrouverte	Oui
Compartment du congélateur		Emplacement des commandes	Intérieur
Type de porte	battante	Type de commande	Electronic
Bacs de porte	5 pleine largeur réglable	Verrouillage des commandes	N/A
Tiroir/panier de congélation	1 Fixed Full Width Upper; 2 Full Width Lower	Distributeur	
Nombre de tablettes de congélateur	6	Type de distributeur	S/O
Éclairage	Éclairage à DEL	Extérieur	
Tablettes	2 fixes, pleine largeur, clayette; 4 réglables, pleine largeur, clayette	Couleur de la caisse	Grey
		Finis de la caisse	Lisse

### INSTALLATION OPTIONS

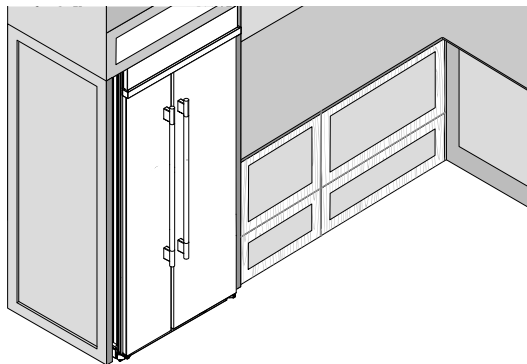
#### Pinch Hazard

**CAUTION:** Installation of door panels with less than a 3/8" (9.5 mm) gap between the door panel and the adjacent cabinet increases the risk of potential pinching.



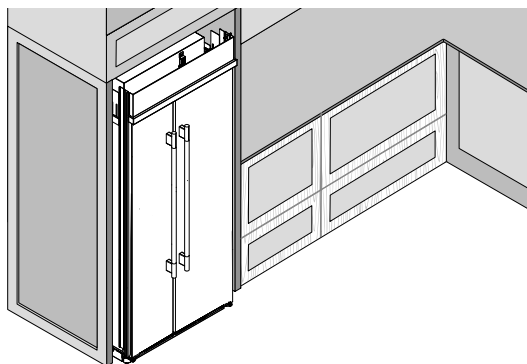
#### Flush

Refrigerator flush with the cabinetry (with maximum door swing set to 110°). This installation provides 1" (25.4 mm) side reveals.



#### Overlay

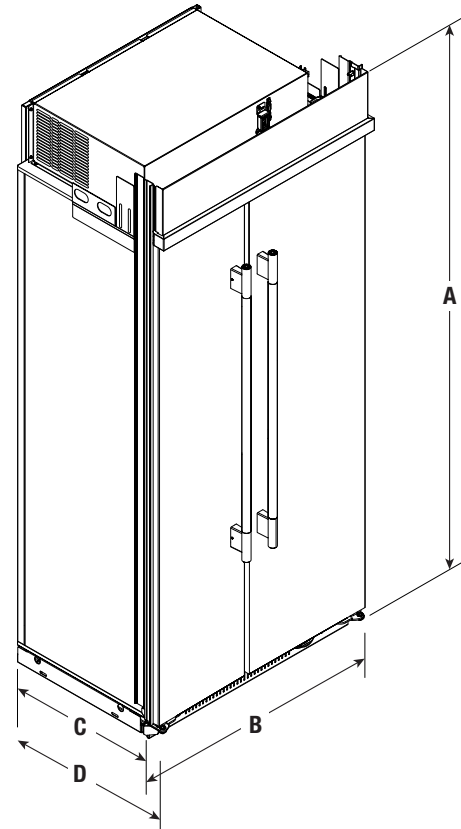
Refrigerator is 7/8" (22.2 mm) proud of the cabinetry (with maximum door swing set to 110°). This installation provides 11/16" (17.5 mm) side reveals.



#### Standard

Refrigerator is 1 3/4" (44.4 mm) proud of the cabinetry.

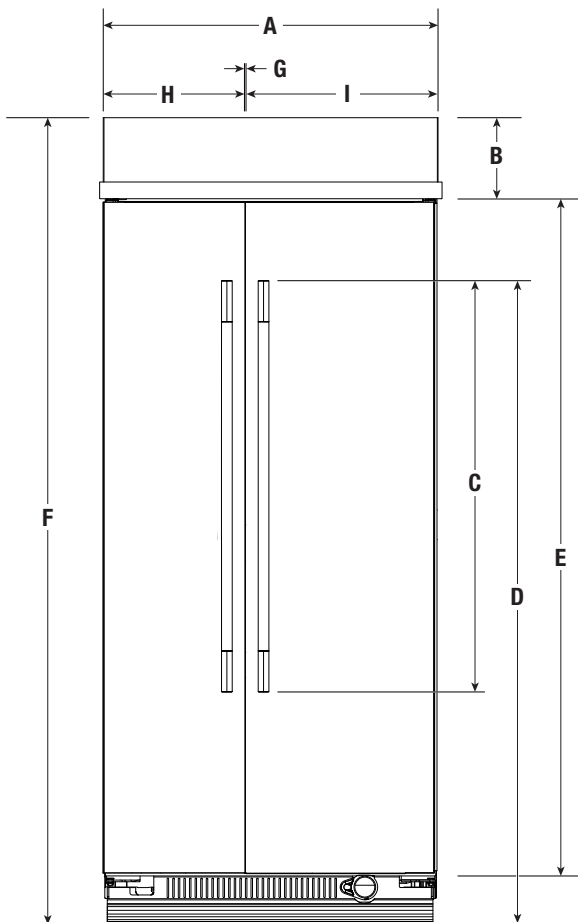
### PRODUCT DIMENSIONS



Dimension		42" Model
A	Overall Height	83 3/4" (2114.6 mm)
B	Overall Width	42 3/8" (1075.6 mm)
C	Depth without Handle	25 13/16" (655 mm)
D	Depth with Handle	27 13/16" (706 mm)

When leveling legs are fully extended to 1/4" (32 mm) below rollers, add 1/8" (29 mm) to the height dimensions.

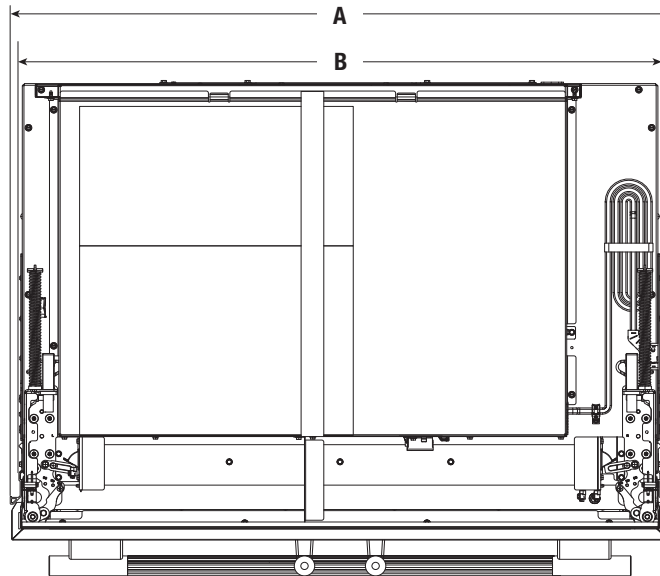
### Front View



	Description	Inches	mm
A	Overall Width	41 <sup>5</sup> / <sub>16</sub>	1050
B	Top Grille Height	8 <sup>15</sup> / <sub>16</sub>	226.9
C	Handle Height	43 <sup>7</sup> / <sub>16</sub>	1103
D	Height till Top of the Handle	66	1677
E	Door Height	71	1803.7
F	Overall Height	83 <sup>1</sup> / <sub>4</sub>	2114.6
G	Door Gap	1/4	6.7
H	Freezer Door Width	17 <sup>1</sup> / <sub>2</sub>	444.2
I	Refrigerator Door Width	23 <sup>1</sup> / <sub>2</sub>	596.5

When leveling legs are fully extended to 1<sup>1</sup>/<sub>4</sub>" (32 mm) below rollers, add 1<sup>1</sup>/<sub>8</sub>" (29 mm) to the height dimensions.

### Top View

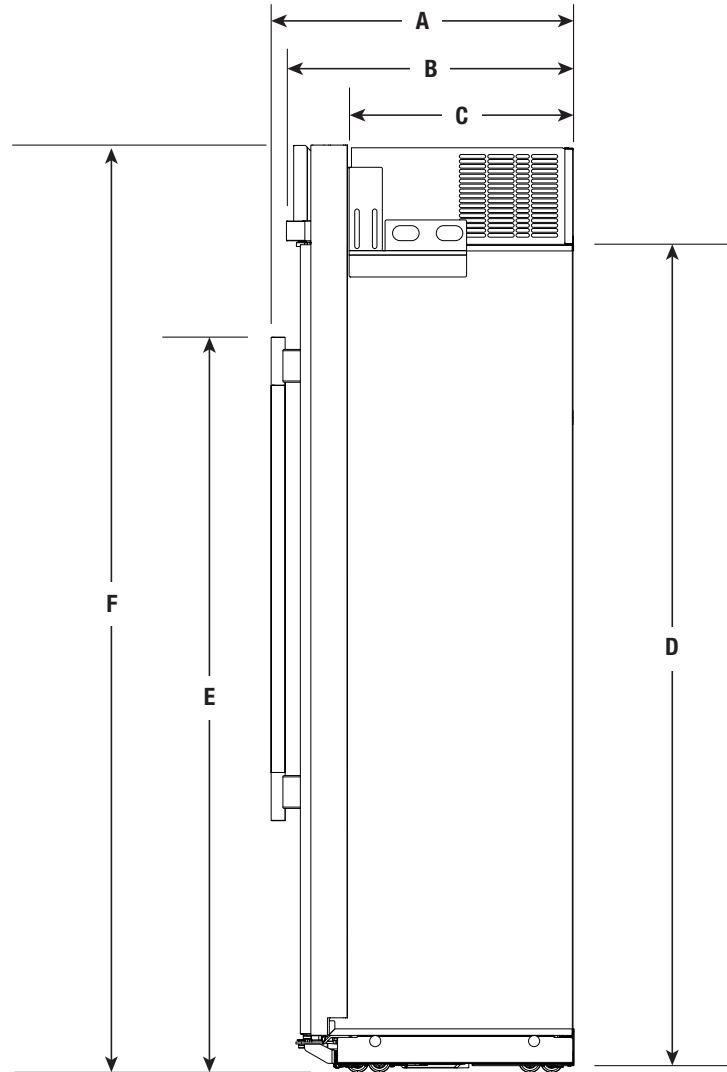


	Description	Inches	mm
A	Overall Width with Trims	42 <sup>5</sup> / <sub>16</sub>	1075.5
B	Overall Width	41 <sup>5</sup> / <sub>16</sub>	1050

**NOTE:** Overall width dimension is measured from side trim edge to side trim edge.

### Side View

- The depth from the front of the top grille to the back of the refrigerator cabinet is 25<sup>1</sup>/<sub>16</sub>" (637.3 mm).
- The power cord is 84" (2134 mm) long.
- The height dimensions shown are with the leveling legs extended 1/8" (3 mm) below the rollers.

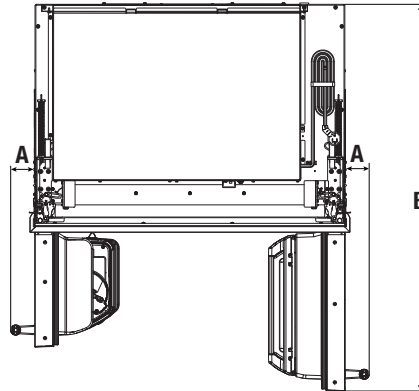


	Description	Inches	mm
A	Depth With Handle	27 <sup>13</sup> / <sub>16</sub>	706
B	Depth without Handle	25 <sup>13</sup> / <sub>16</sub>	655
C	Machine Compartment Depth	19 <sup>7</sup> / <sub>8</sub>	505
D	Cabinet Height	71	1804.2
E	Height Till Top of the Handle	66	1677
F	Overall Height	83 <sup>1</sup> / <sub>4</sub>	2114.6

When leveling legs are fully extended to 1<sup>1</sup>/<sub>4</sub>" (32 mm) below rollers, add 1<sup>1</sup>/<sub>8</sub>" (29 mm) to the height dimensions.

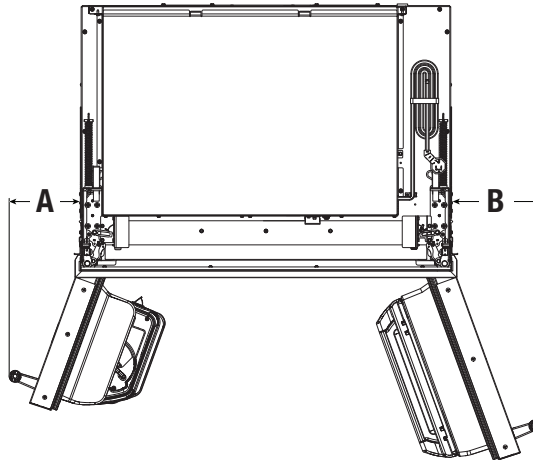
### Top View

90° door swing



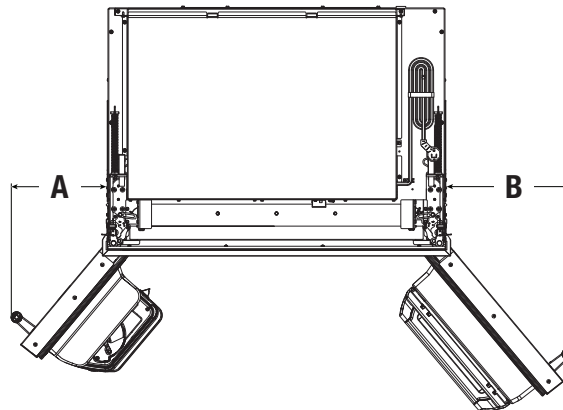
A. 2 $\frac{3}{4}$ " (69.9 mm)  
B. 47 $\frac{1}{4}$ " (1200 mm)

110° door swing



A. 7 $\frac{5}{8}$ " (194 mm)  
B. 9 $\frac{1}{16}$ " (246.2 mm)

130° door swing



A. 11 $\frac{9}{16}$ " (293 mm)  
B. 15 $\frac{3}{8}$ " (390.9 mm)

### LOCATION REQUIREMENTS

#### ⚠ WARNING



#### Explosion Hazard

Keep flammable materials and vapors, such as gasoline, away from appliance.

Use nonflammable cleaner.

Failure to do so can result in death, explosion, or fire.

**IMPORTANT:** This refrigerator is designed for indoor, household use only. This appliance is intended to be used in household and similar applications such as:

- Staff kitchen areas in shops, offices and other working environments.
- Farm houses and by clients in hotels, motels and other residential type environments.
- Bed and breakfast type environments.
- Catering and similar non-retail applications.
- Observe all governing codes and ordinances.
- It is recommended that you do not install near an oven, radiator, or other heat source.
- Do not install in a location where the temperature will fall below 55°F (13°C).
- Floor must support the refrigerator weight, more than 600 lbs (272 kg), door panels and contents of the refrigerator. Flooring under refrigerator must be at same level as the room. Face of cabinetry must be plumb.
- Ceiling height must allow for side tipping radius. See "Tipping Radius."
- Location must permit top grille removal. See "Opening Dimensions."

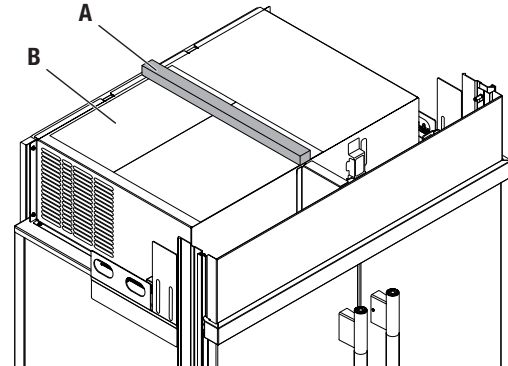
**IMPORTANT:**

- The cabinet should not be made of pressed fiber material like MDF (Medium Density Fiberboard).
- The bottom panel must consist of 3/4" (19 mm) plywood.
- The 3/4" (19 mm) plywood bottom panel must extend laterally to directly contact the left and right side panels and be securely fastened along its depth.

### OPENING DIMENSIONS

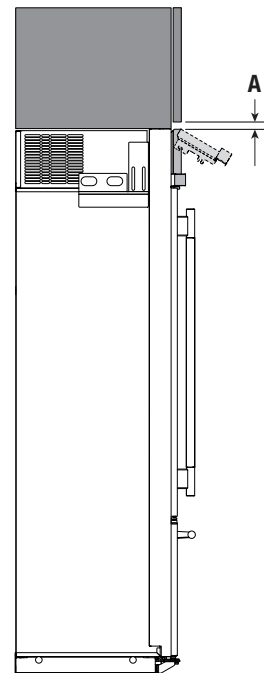
**IMPORTANT:** A clearance of 3/4" (19 mm) must be maintained above the top grille in order for the top grille to be assembled and removed.

Do not remove the foam gasket from the top of the compressor cover unless removal is necessary to fit the unit under a soffit. Removal of the gasket will cause loss in cooling efficiency.



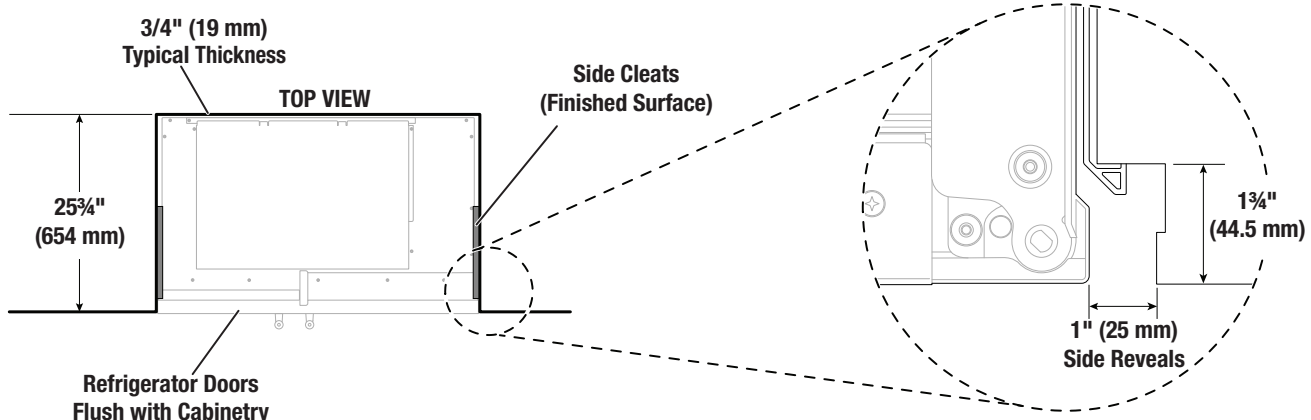
A. Gasket  
B. Compressor Cover

- A grounded 3 prong electrical outlet should be located within a specified number of inches from the right-hand side cabinets or end panel. See the chart following the graphic for the number of inches required for your model. For more information, see "Electrical Requirements."
- The water shut-off should be located in the base cabinet on either side of the refrigerator or some other easily accessible area. If the water shut-off valve is not in the cabinets, the plumbing for the water line can come through the floor. See "Water Supply Requirements" for more information.



A. 3/4" (19 mm) clearance for top grille removal

### Flush Installation (25<sup>3</sup>/<sub>4</sub>" [654 mm] Cabinet depth)

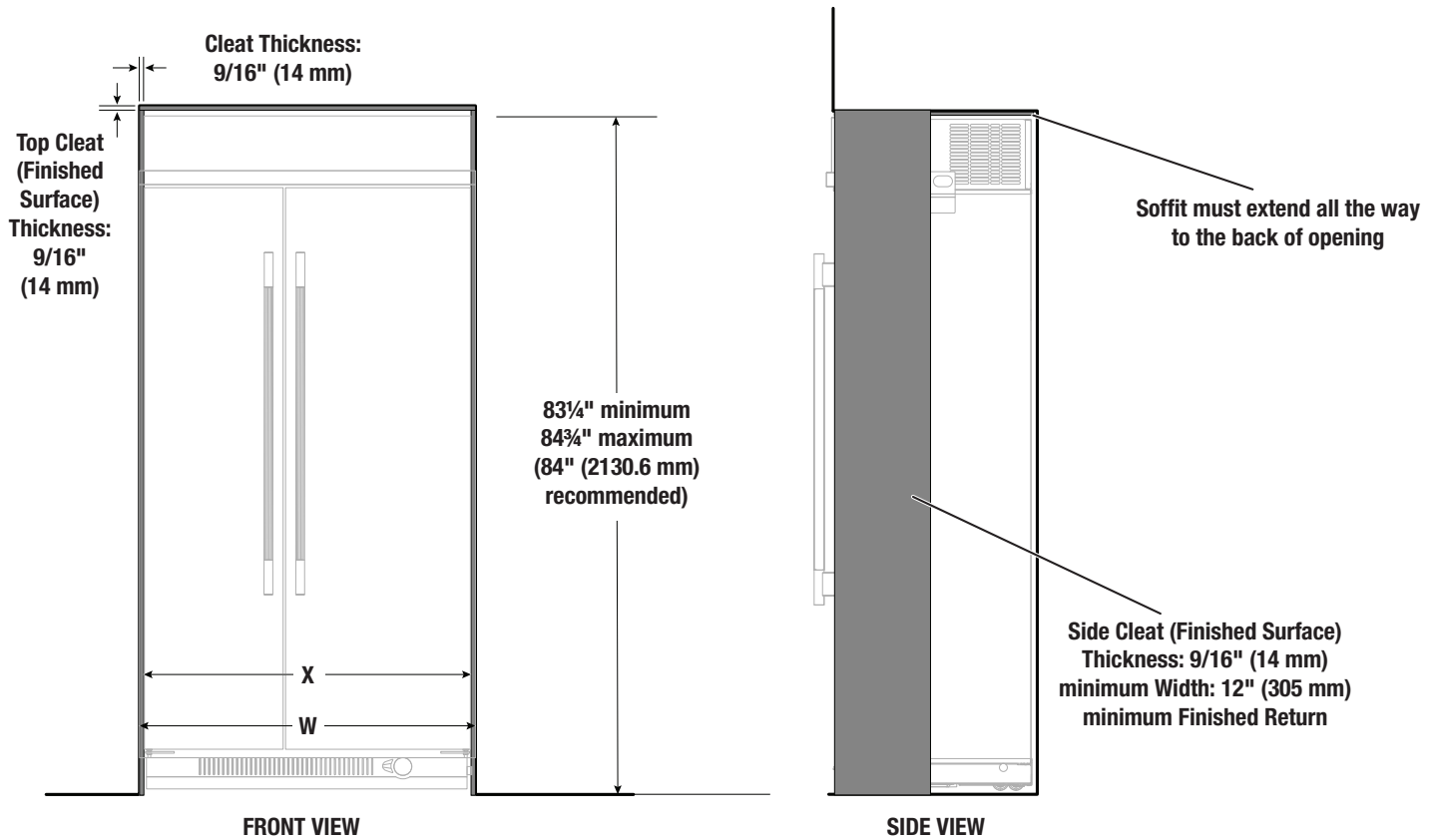
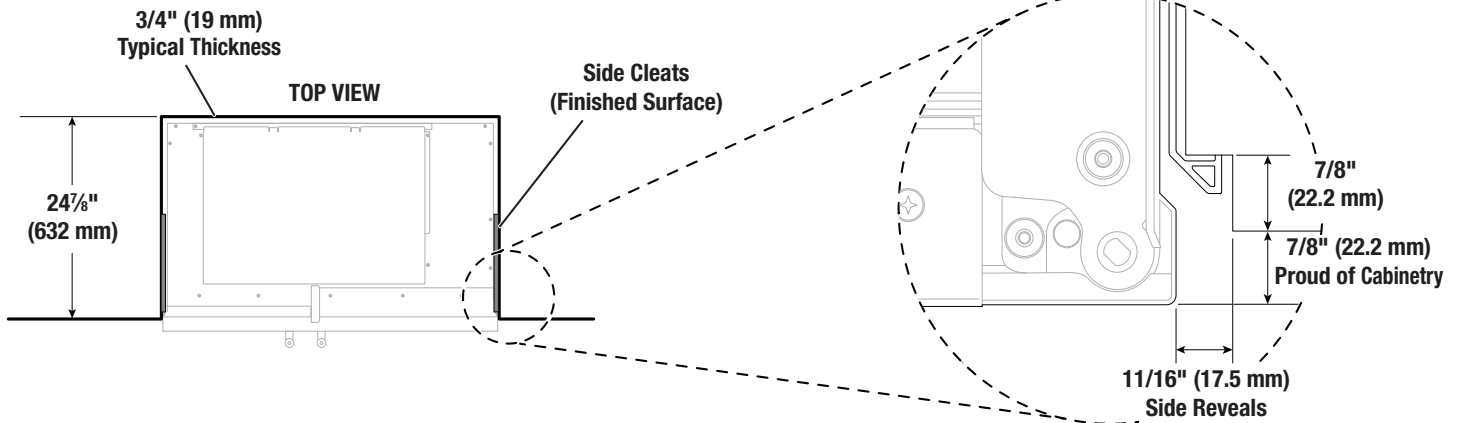


Model	Total Opening Width (W)	Width Between Cleats (X)
42"	43 <sup>1</sup> / <sub>4</sub> " to 43 <sup>1</sup> / <sub>2</sub> " (1098 mm to 1105 mm)	41 <sup>1</sup> / <sub>2</sub> " to 41 <sup>3</sup> / <sub>4</sub> " (1054 mm to 1061 mm)

#### NOTE:

- After install 7/8" (22 mm) side cleats are visible from the front.
- The cabinet must have structural strength support anchoring of the refrigerator.
- Maximum allowable door swing for flush installation is 110°.
- Minimum 12" (304.8 mm) finished furniture return (with cosmetic face) and minimum 3/4" (19 mm) panel construction thickness is required.

### Overlay Installation (24<sup>7</sup>/<sub>8</sub>" [632 mm] Cabinet depth)



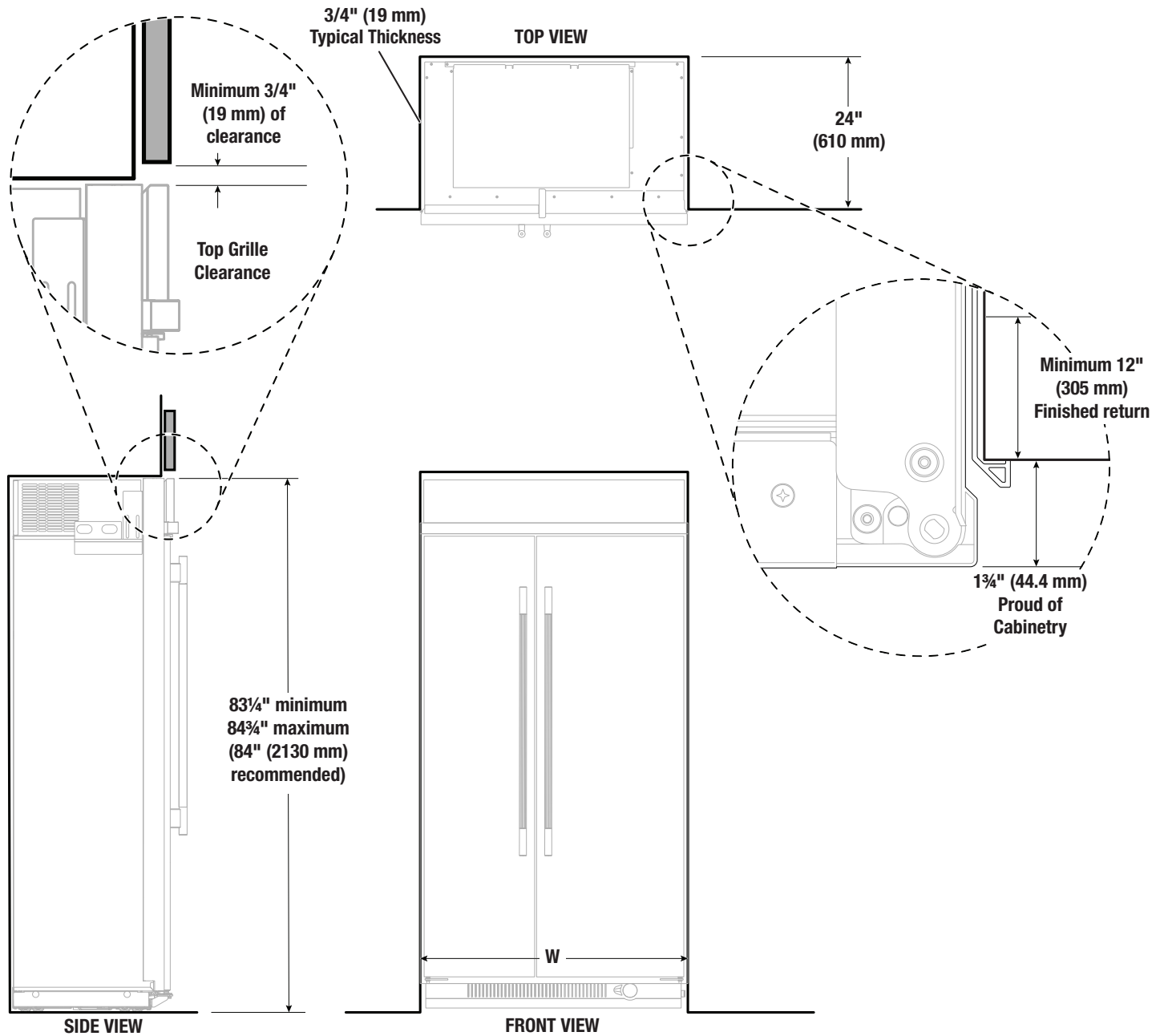
Model	Total Opening Width (W)	Width Between Cleats (X)
42"	42 <sup>5</sup> / <sub>8</sub> " to 42 <sup>7</sup> / <sub>8</sub> " (1082 mm to 1089 mm)	41 <sup>1</sup> / <sub>2</sub> " to 41 <sup>3</sup> / <sub>4</sub> " (1054 mm to 1061 mm)

**NOTE:**

- After install 9/16" (14 mm) side cleats are visible from the front.
- The cabinet must provide structural support to anchor the refrigerator securely.
- Maximum allowable door swing for flush installation is 110°.
- Minimum 12" (304.8 mm) finished furniture return (with cosmetic face) and minimum 3/4" (19 mm) panel construction thickness is required.

### Standard Installation (24" [610 mm] Cabinet Depth)

**IMPORTANT:** The cabinetry side panels will be used to brace the appliance for stability.



Model	Opening Width (W)
42"	41 1/2" to 41 3/4" (1054 mm to 1061 mm)

**NOTE:** Minimum 12" (304.8 mm) finished furniture return (with cosmetic face) and minimum 3/4" (19 mm) panel construction thickness is required. The cabinet must have structural strength support anchoring of the refrigerator.

### ELECTRICAL REQUIREMENTS

#### ⚠ WARNING



#### Electrical Shock Hazard

Plug into a grounded 3 prong outlet.

Do not remove ground prong.

Do not use an adapter.

Do not use an extension cord.

Failure to follow these instructions can result in death, fire, or electrical shock.

Before you move your refrigerator into its final location, it is important to make sure you have the proper electrical connection.

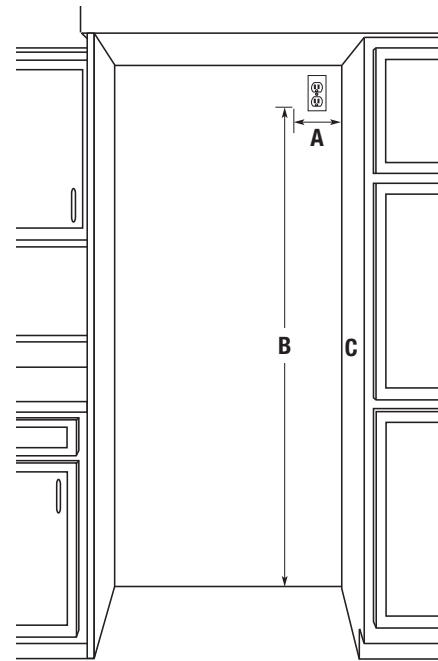
If the supply cord is damaged, it must be replaced by the manufacturer or its service agent or a similarly qualified person. Do not use a cord that shows cracks or abrasion damage along its length or at either the plug or connector end.

#### Recommended Grounding Method

A 115 V, 60 Hz AC only 15 A or 20 A fused, grounded electrical supply is required. It is recommended that a separate circuit serving only your refrigerator and approved accessories be provided. Use an outlet that cannot be turned off by a switch. Do not use an extension cord.

**IMPORTANT:** If this product is connected to a GFCI (Ground Fault Circuit Interrupter) protected outlet, nuisance tripping of the power supply may occur, resulting in loss of cooling. Food quality and flavor may be affected. If nuisance tripping has occurred, and if the condition of the food appears poor, dispose of the food.

**NOTE:** Before performing any type of installation or cleaning, remove the top grille and turn the master power switch to OFF or disconnect power at the circuit breaker box. When you are finished, turn ON the master power switch or reconnect power at the circuit breaker box. Then reset the control to the desired setting.



B. 77" (1956 mm) from floor

C. From right side of cabinet opening.

Model	Electrical Location Dimension (A)
42"	7½" (191 mm)

### WATER SUPPLY REQUIREMENTS

#### IMPORTANT:

- All installations must meet local plumbing code requirements.
- Connect to potable water supply only.

#### Water Pressure

A cold water supply with water pressure between 30 psi and 120 psi (207 kPa and 827 kPa) is required to operate the water dispenser and ice maker. If you have questions about your water pressure, call a licensed, qualified plumber.

**NOTE:** If the water pressure is less than what is required, the flow of water from the water dispenser could decrease or ice cubes could be hollow or irregular shaped. If you have questions about your water pressure, call a licensed, qualified plumber.

#### Reverse Osmosis Water Supply

**IMPORTANT:** The pressure of the water supply coming out of a reverse osmosis system going to the water inlet valve of the refrigerator needs to be between 30 psi and 120 psi (207 kPa and 827 kPa).

If a reverse osmosis water filtration system is connected to your cold water supply, the water pressure to the reverse osmosis system needs to be a minimum of 40 psi to 60 psi (276 kPa to 414 kPa).

If the water pressure to the reverse osmosis system is less than 40 psi to 60 psi (276 kPa to 414 kPa):

- Check to see whether the sediment filter in the reverse osmosis system is blocked. Replace the filter if necessary.
- Allow the storage tank on the reverse osmosis system to refill after heavy usage.
- If your refrigerator has a water filter, it may further reduce the water pressure when used in conjunction with a reverse osmosis system. Remove the water filter cartridge.

If you have questions about your water pressure, call a licensed, qualified plumber.

### Water Shut-off Valve

#### IMPORTANT:

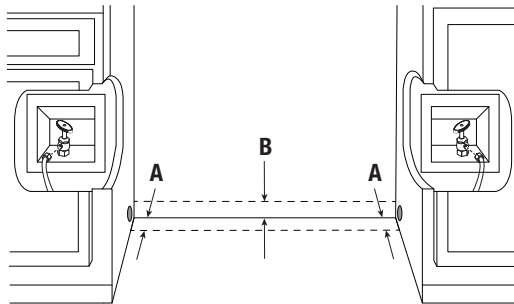
- Keep water valves/lines above 32°F (0°C) to prevent freezing.
- There is not enough clearance to achieve a flush installation if a water shut-off valve is located in the wall behind the refrigerator.
- The water shut-off should be located in the base cabinet on either side of the refrigerator or some other easily accessible area. The right-hand side is recommended. The access hole through the cabinet must be within 1/2" (12.7 mm) of the rear.

**NOTE:** If the water shut-off valve is in the back wall behind the refrigerator, it must be at an angle so that the tube is not kinked when the refrigerator is pushed into its final location.

- If the water shut-off valve is not in the cabinets, the plumbing for the water line can come through the floor. A 1/2" (12.7 mm) hole for plumbing should be drilled at least 6" (152 mm) from the right-hand or left-hand side cabinet or panel. On the floor, the hole should be no more than 1" (25.4 mm) away from the back wall. See "Connect the Water Supply."
- If additional tubing is needed, use copper tubing and check for leaks. Install the copper tubing only in areas where the household temperatures will remain above freezing.
- Do not use a piercing-type or 3/16" (4.76 mm) saddle valve which reduces water flow and also clogs more easily.

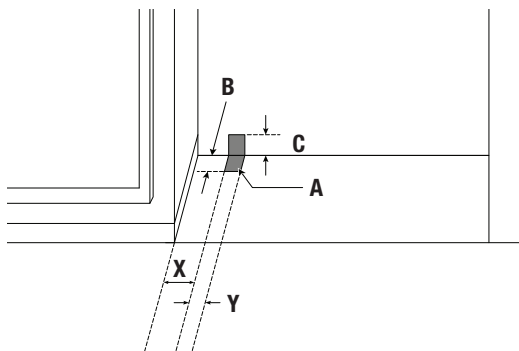
**NOTE:** Your refrigerator dealer has a kit available with a 1/4" (6.4 mm) saddle-type shut-off valve, a union, and copper tubing. Before purchasing, make sure a saddle-type valve complies with your local plumbing codes.

#### Style 1: Shut-off Valve Located in the Adjacent Cabinet



- A. Waterline access hole to be within 1/2" (13 mm) from back wall.
- B. Waterline access hole to be within 1/2" (13mm) from floor

#### Style 2: Alternate Valve Location - Plumbing through floor



- A. Waterline hole location zone
- B. 2" (50.8 mm)
- C. 3 3/4" (95.3 mm)

**Standard Installation:** Reference the cabinet panel for measurement.

**Overlay and Flush Installation:** Reference the cleat for measurement.

Model	X	Y
42"	6 7/8" (156 mm)	3 15/16" (100 mm)

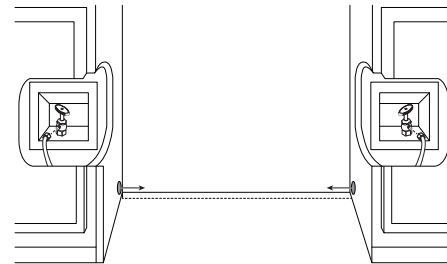
#### Locating the Waterline

#### Parts Needed

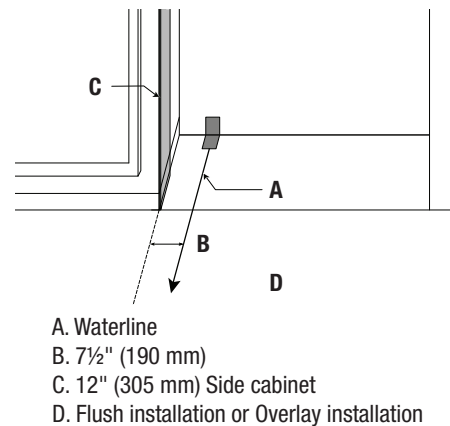
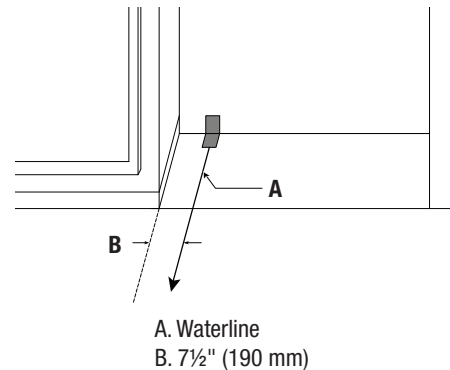
- Minimum 7 ft (2.13 m) flexible, codes-approved water supply line depending on shut-off valve location.

#### Style 1: Shut-off Valve Located in the Adjacent Cabinet

**Water Line:** Route code-approved line from shut-off through cabinet hole.



**IMPORTANT:** Route and tape the waterline along the wall, to prevent kinking during refrigerator placement.

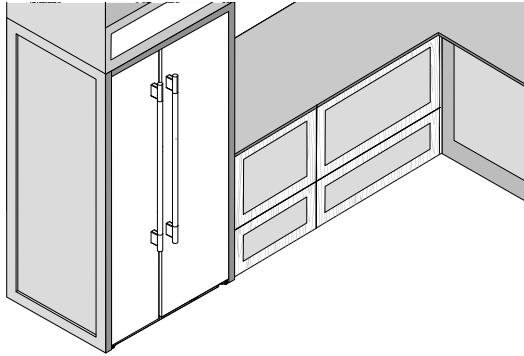


**NOTE:** Allow a minimum of 26" (660 mm) of flexible codes approved water supply line to extend in front of the cabinet opening to connect to the refrigerator.

### OPTIONS D'INSTALLATION

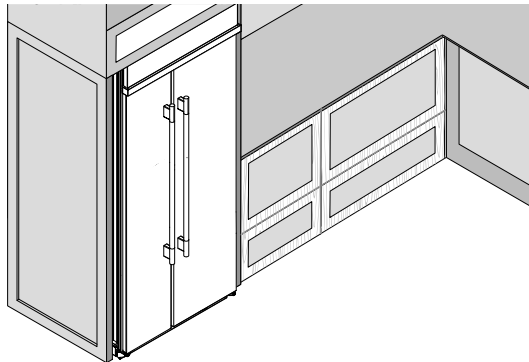
#### Risque de Pincement

**ATTENTION :** L'installation de panneaux de porte avec un espacement de moins de 3/8 po (9,5 mm) entre le panneau de porte et l'armoire adjacente augmente le risque de pincement.



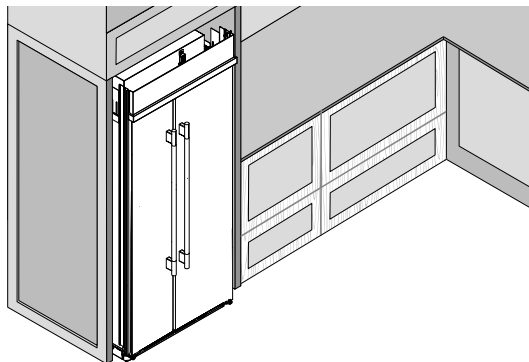
#### En affleurement

Le réfrigérateur est en affleurement avec l'armoire (avec une ouverture maximale de la porte à 110°). Cette installation prévoit des côtés apparents de 1 po (25,4 mm).



#### Chevauchement

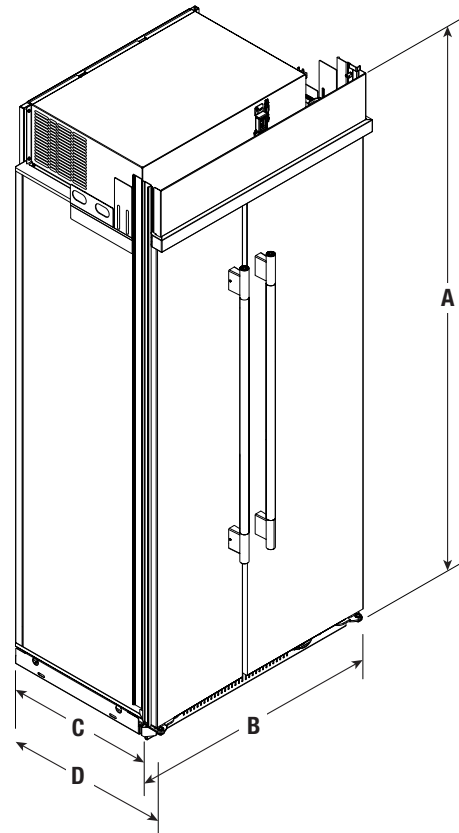
Le réfrigérateur se trouve à 7/8 po (22,2 mm) de l'armoire (avec une ouverture maximale de la porte à 110°). Cette installation prévoit des côtés apparents de 11/16 po (17,5 mm).



#### Standard

Le réfrigérateur dépasse de 1 3/4 po (44,4 mm) des armoires.

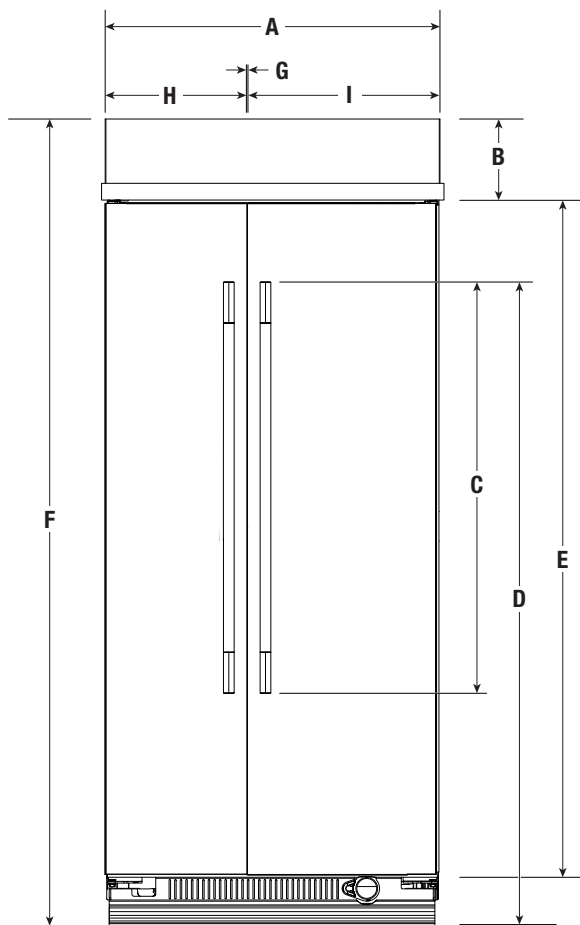
### DIMENSIONS DU PRODUIT



Dimension		42 po Modèle
A	Hauteur Totale	83 1/4 po (2114,6 mm)
B	Largeur Totale	42 3/8 po (1075,6 mm)
C	Profondeur sans Poignée	25 13/16 po (655 mm)
D	Profondeur avec Poignée	27 13/16 po (706 mm)

Lorsque les pieds de nivellement sont totalement déployés de 1 1/4 po (32 mm) au-dessous des roulettes, ajouter 1 1/8 po (29 mm) à la hauteur totale.

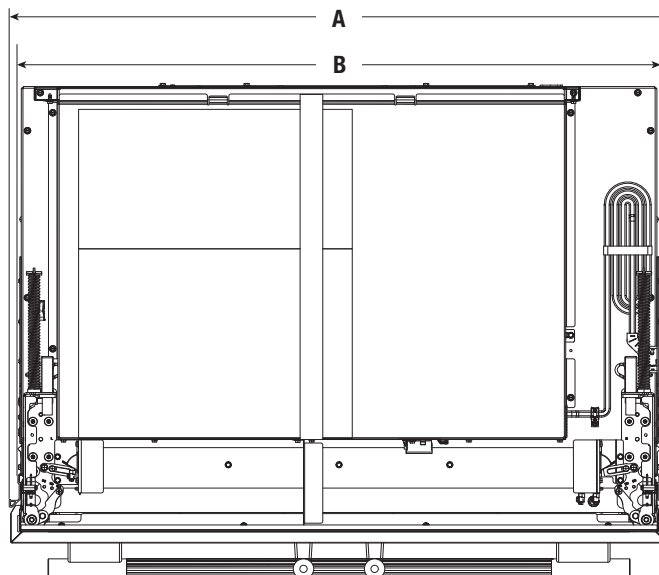
### Vue de Face



Description		po	mm
A	Largeur Totale	41 <sup>5</sup> / <sub>16</sub>	1050
B	Hauteur de la Grille Supérieure	8 <sup>15</sup> / <sub>16</sub>	226,9
C	Hauteur de la Poignée	43 <sup>7</sup> / <sub>16</sub>	1103
D	Hauteur Jusqu'au Haut de la Poignée	66	1 677
E	Hauteur de la Porte	71	1803,7
F	Hauteur Totale	83 <sup>1</sup> / <sub>4</sub>	2114,6
G	Espacement Entre les Portes	1/4	6,7
H	Largeur de la Porte du Congélateur	17 <sup>1</sup> / <sub>2</sub>	444,2
I	Largeur de la Porte du Réfrigérateur	23 <sup>1</sup> / <sub>2</sub>	596,5

Lorsque les pieds de nivellement sont totalement déployés de 1 <sup>1</sup>/<sub>4</sub> po (32 mm) au-dessous des roulettes, ajouter 1 <sup>1</sup>/<sub>8</sub> po (29 mm) à la hauteur totale.

### Vue de Dessus

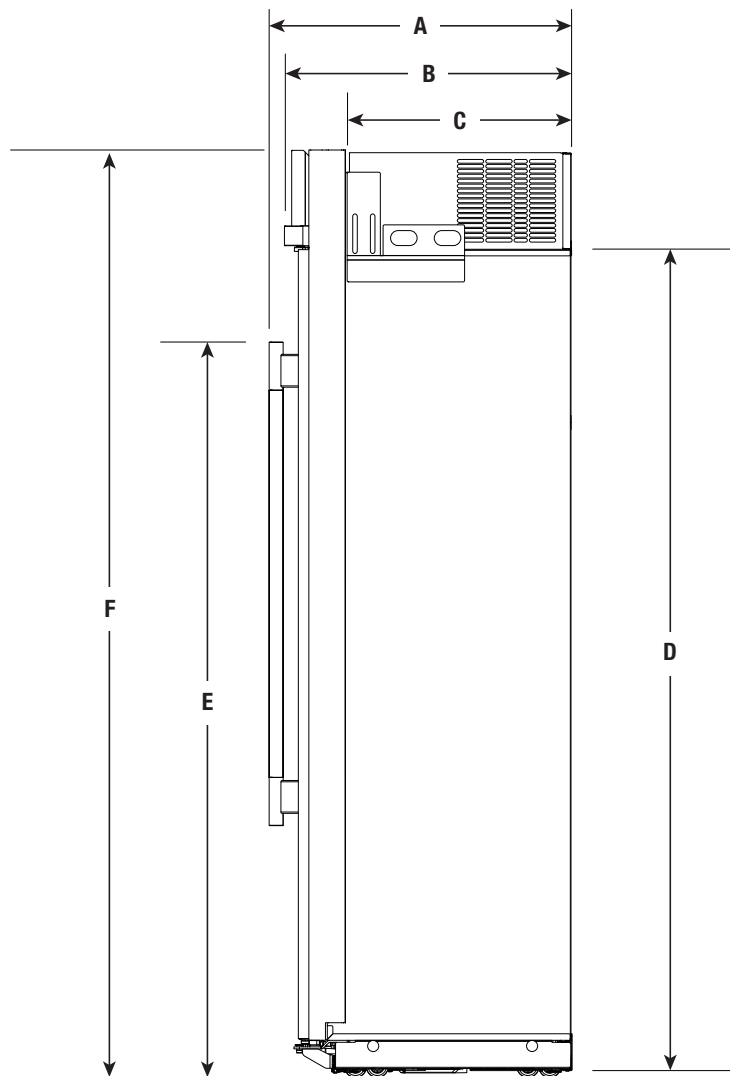


	Description	po	mm
A	Largeur Totale Incluant les Finitions	42 <sup>5</sup> / <sub>16</sub>	1075,5
B	Largeur Totale	41 <sup>5</sup> / <sub>16</sub>	1199

**REMARQUE :** La largeur totale est mesurée d'un bord à l'autre de la garniture latérale.

### Vue Latérale

- La profondeur de l'avant de la grille supérieure à l'arrière de la caisse du réfrigérateur est de 25 1/16 po (637,3 mm).
- La longueur du cordon d'alimentation est de 84 po (2134 mm).
- Les dimensions de hauteur indiquées correspondent à la situation où les pieds de nivellement déployés dépassent de 1/8 po (3 mm) au-dessous des roulettes.

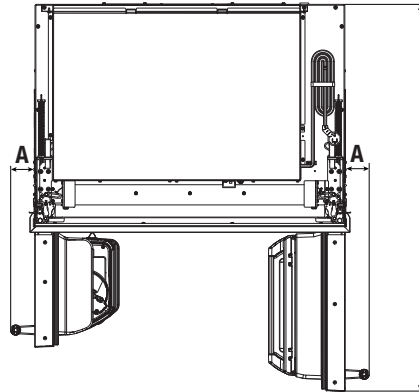


	Description	Inches	mm
A	Profondeur avec Poignée	27 13/16	706
B	Profondeur sans Poignée	25 13/16	655
C	Profondeur du Compartiment de la Machine	19 7/8	505
D	Hauteur de la Caisse	71	1804,2
E	Hauteur Jusqu'au Haut de la Poignée	66	1677
F	Hauteur Totale	83 1/4	2114,6

Lorsque les pieds de nivellement sont totalement déployés de 1 1/4 po (32 mm) au-dessous des roulettes, ajouter 1 1/8 po (29 mm) à la hauteur totale.

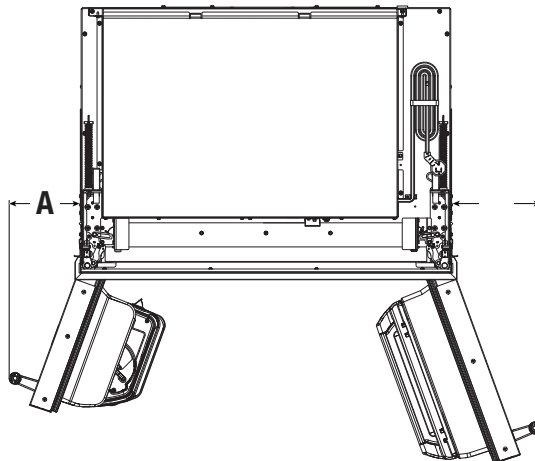
### Vue de Dessus

Ouverture de porte à 90°



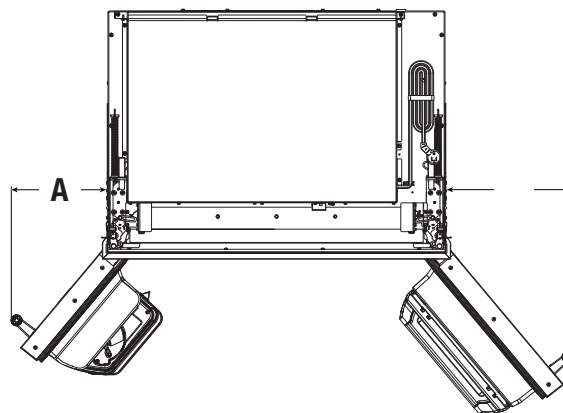
A. 2 ¾ po (69,9 mm)  
B. 47 ¼ po (1200 mm)

Ouverture de porte à 110°



A. 7 ⅝ po (194 mm)  
B. 9 ⅛ po (246,2 mm)

Ouverture de porte à 130°



A. 11 ⅞ po (293 mm)  
B. 15 ⅜ po (390,9 mm)

### EXIGENCES D'EMPLACEMENT

#### ⚠ AVERTISSEMENT



#### Risque d'explosion

Garder les matières et les vapeurs inflammables, telles que l'essence, à l'écart de l'appareil.

Utiliser un produit de nettoyage ininflammable.

Le non-respect de ces instructions peut causer un décès, une explosion ou un incendie.

**IMPORTANT :** Ce réfrigérateur est conçu pour un usage domestique, à l'intérieur seulement.

Cet appareil est destiné à un usage domestique et à d'autres usages similaires comme :

- Espace de cuisine pour personnel de boutiques, bureaux et autres environnements professionnels.
- Résidences fermières et utilisation par les clients d'hôtels, de motels et d'autres types de résidences.
- Environnements de type chambres d'hôtes.
- Banquets et autres utilisations non commerciales semblables.
- Observer les dispositions de tous les codes et règlements en vigueur.
- Il est conseillé de ne pas effectuer l'installation près d'un four, d'un radiateur ou de toute autre source de chaleur.
- Ne pas installer l'appareil dans un endroit où la température pourrait descendre sous 55 °F (13 °C).
- Le plancher doit pouvoir supporter le poids du réfrigérateur, soit plus de 600 lb (272 kg) incluant les panneaux de porte et le contenu du réfrigérateur. Le revêtement de sol sous le réfrigérateur doit se trouver au même niveau que le sol de la pièce. L'avant de l'armoire doit être d'aplomb.
- La hauteur libre sous plafond doit être suffisante pour permettre le basculement de chaque côté. Voir la section « Rayon de basculement » plus loin dans cette section.
- L'emplacement d'installation doit permettre la dépose de la grille supérieure. Voir la section « Dimensions de l'ouverture d'encastrement ».

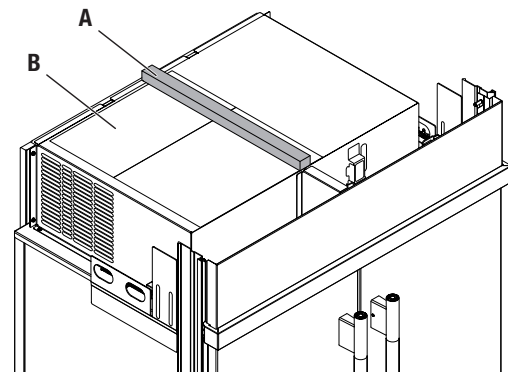
#### IMPORTANT :

- L'armoire ne doit pas être fabriquée à partir d'un matériau à base de fibres pressées comme le MDF (Medium Density Fiberboard).
- Le panneau inférieur doit être un contreplaqué de 3/4 po (19 mm).
- Le panneau inférieur en contreplaqué de 3/4 po (19 mm) doit s'étendre latéralement pour entrer directement en contact avec les panneaux latéraux gauche et droit et être solidement fixé le long de sa profondeur.

### DIMENSIONS DE L'OUVERTURE

**IMPORTANT:** Un dégagement de 3/4 po (19 mm) doit être maintenu au-dessus de la grille supérieure pour pouvoir assembler et enlever la grille supérieure.

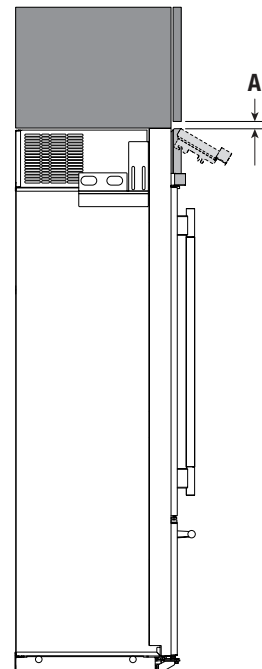
Ne pas retirer le joint en mousse du sommet du couvercle du compresseur, sauf s'il est nécessaire de le retirer pour installer l'appareil sous une soffite. Retirer le joint peut affecter les performances de refroidissement.



A. Joint d'étanchéité

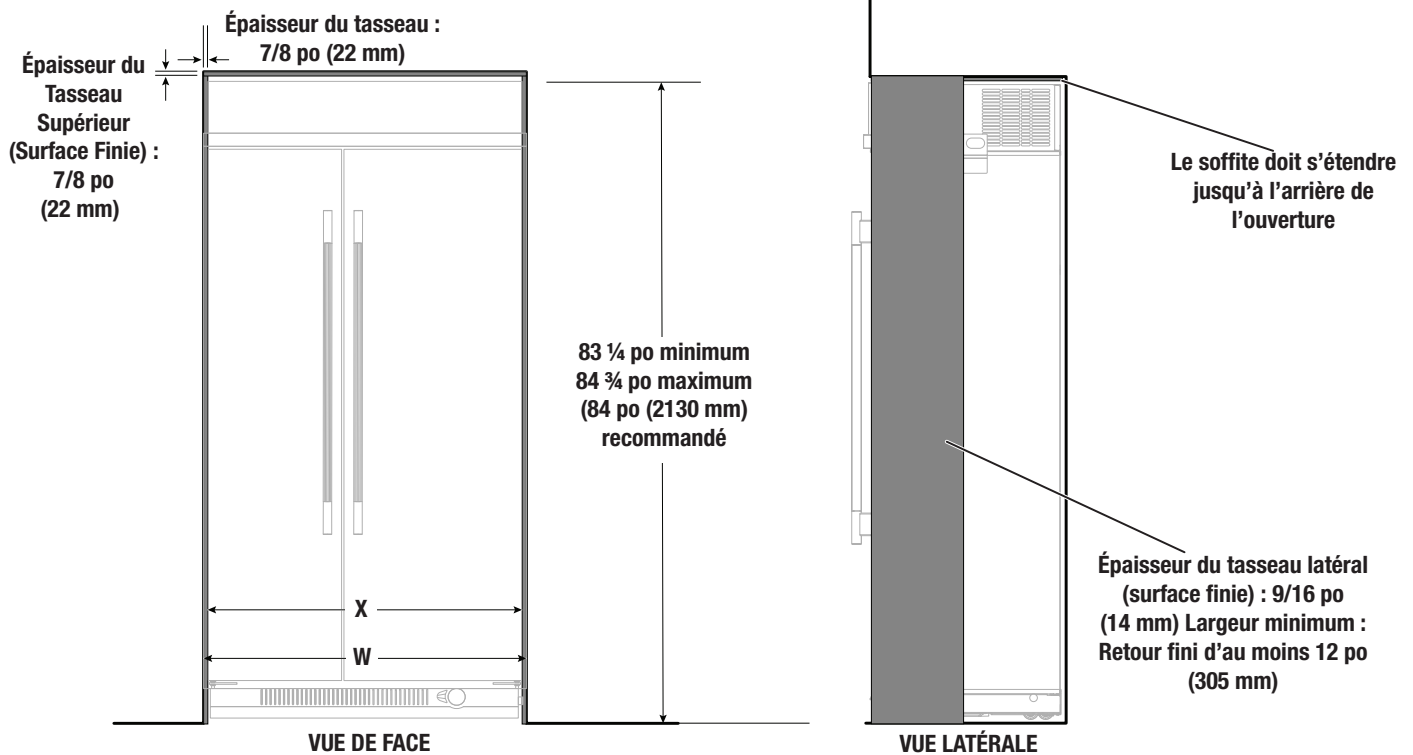
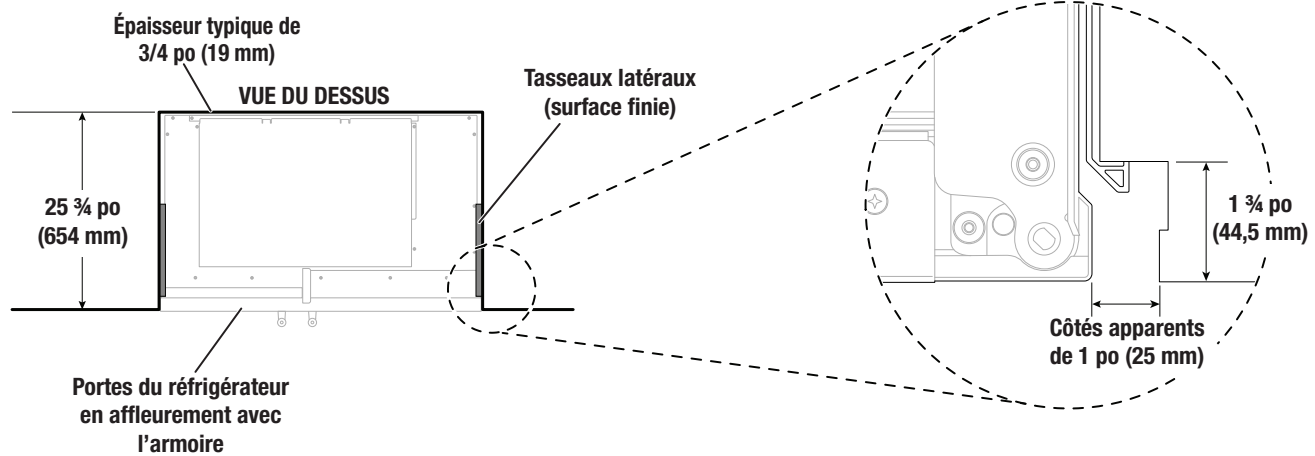
B. Couvercle du compresseur

- Une prise électrique à trois broches avec mise à la terre doit être placée à une distance définie des armoires de droite ou du panneau situé à l'extrémité. Voir le tableau sous l'illustration pour connaître le nombre de pouces à respecter pour votre modèle. Voir les « Spécifications électriques » pour plus de renseignements.
- Le robinet d'arrêt doit être situé dans l'armoire inférieure d'un côté ou l'autre du réfrigérateur, ou à un autre endroit facilement accessible. Si le robinet d'arrêt ne se trouve pas dans les armoires, la plomberie d'arrivée d'eau peut provenir du plancher. Voir les « Spécifications de l'alimentation en eau » pour plus de renseignements.



A. 3/4 po (19 mm) de dégagement pour le retrait de la grille supérieure

### Installation en affleurement (profondeur de l'armoire de 25 ¾ po [654 mm])

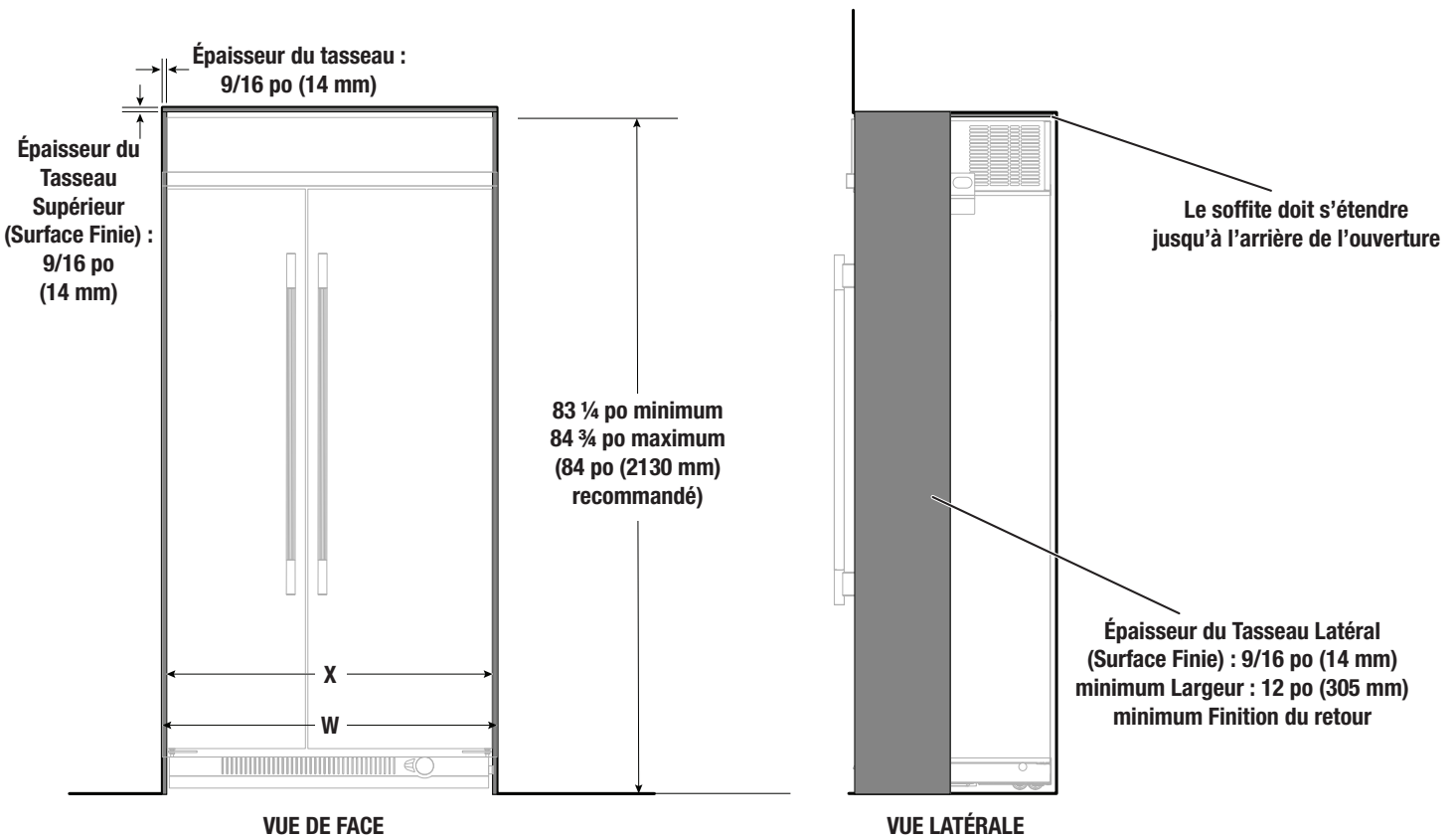
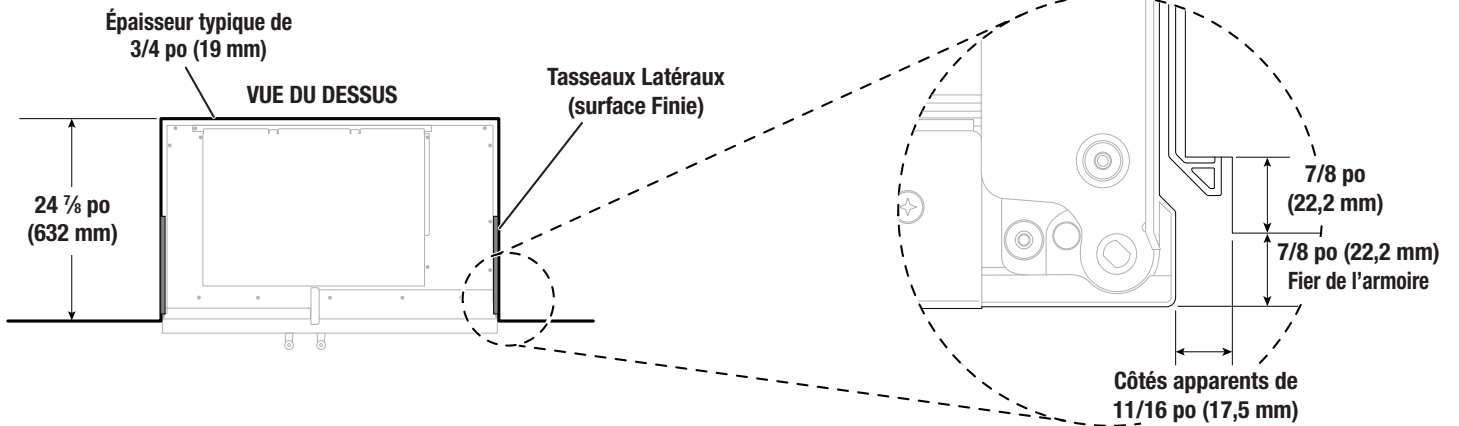


Modèle	Largeur Totale de L'ouverture (W)	Largeur Entre les Tasseaux (X)
42 po	43 ¼ po à 43 ½ po (1098 mm à 1105 mm)	41 ½ po à 41 ¾ po (1054 mm à 1061 mm)

#### REMARQUE :

- Après l'installation, les tasseaux latéraux de 7/8 po (22 mm) sont visibles de l'avant.
- L'armoire doit avoir une structure solide pour supporter l'ancrage du réfrigérateur.
- L'ouverture maximale de la porte pour une installation encastrée est 110°.
- Un retour de meuble fini d'au moins 12 po (304,8 mm) (avec face cosmétique) et une épaisseur de panneau d'au moins 3/4 po (19 mm) sont nécessaires.

### Installation en chevauchement (profondeur de l'armoire de 24 7/8 po [632 mm])



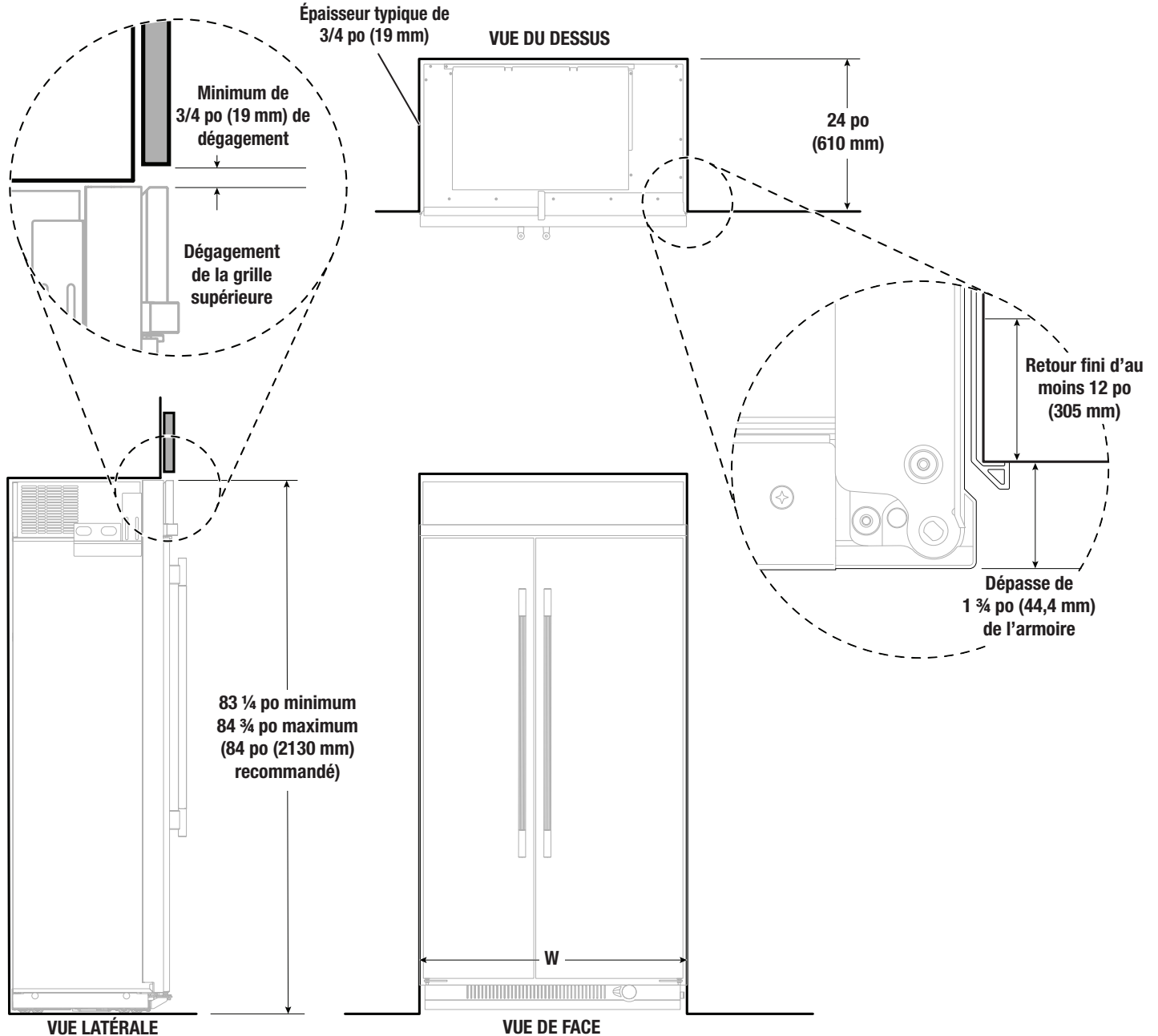
Modèle	Largeur Totale de L'ouverture (W)	Largeur Entre les Tasseaux (X)
42 po	42 5/8 po à 42 7/8 po (1082 mm à 1089 mm)	41 1/2 po à 41 3/4 po (1054 mm à 1061 mm)

#### REMARQUE :

- Après l'installation, les tasseaux latéraux de 9/16 po (14 mm) sont visibles de l'avant.
- L'armoire doit fournir un support structurel pour ancrer solidement le réfrigérateur.
- L'ouverture maximale de la porte pour une installation encastrée est 110°.
- Un retour de meuble fini d'au moins 12 po (304,8 mm) (avec face cosmétique) et une épaisseur de panneau d'au moins 3/4 po (19 mm) sont nécessaires.

### Installation standard (profondeur de l'armoire de 24 po [610 mm])

**IMPORTANT :** Les panneaux latéraux de l'armoire serviront à soutenir l'appareil pour en assurer la stabilité.



Modèle	Largeur de l'ouver (W)
42 po	41 1/2 po à 41 3/4 po (1054 mm à 1061 mm)

**REMARQUE :** Un retour de meuble fini d'au moins 12 po (304,8 mm) (avec face cosmétique) et une épaisseur de panneau d'au moins 3/4 po (19 mm) sont nécessaires. L'armoire doit avoir une structure solide pour supporter l'ancrage du réfrigérateur.

### SPÉCIFICATIONS ÉLECTRIQUES

#### ⚠ AVERTISSEMENT



#### Risque de choc électrique

- Brancher sur une prise à 3 alvéoles reliée à la terre.**
- Ne pas enlever la broche de liaison à la terre.**
- Ne pas utiliser un adaptateur.**
- Ne pas utiliser un câble de rallonge.**
- Le non-respect de ces instructions peut causer un décès, un incendie ou un choc électrique.**

Avant de placer le réfrigérateur à son emplacement final, il est important de s'assurer d'avoir la connexion électrique appropriée.

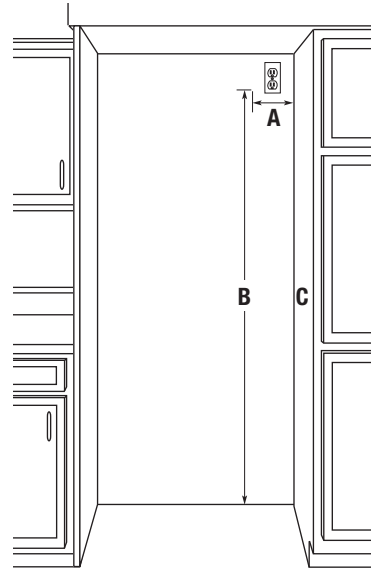
Si le cordon d'alimentation est endommagé, il doit être remplacé par le fabricant, son agent de service ou toute autre personne également qualifiée. Ne pas utiliser un cordon craquelé ou qui présente des dommages d'abrasion sur la gaine, la fiche ou le connecteur.

#### Méthode recommandée de liaison à la terre

Un circuit de 115 V CA à 60 Hz relié à la terre et protégé par un fusible de 15 A ou 20 A est requis. On recommande que le réfrigérateur et les accessoires approuvés soient alimentés par un circuit indépendant. Utiliser une prise de courant dont l'alimentation ne peut pas être interrompue par un interrupteur. Ne pas utiliser de rallonge.

**IMPORTANT :** Ce produit est connecté à une prise protégée par un disjoncteur de fuite à la terre, un déclenchement intempestif peut se produire et causer une perte de refroidissement. La qualité et la saveur des aliments risquent d'être affectées. Si un déclenchement intempestif se produit et si les aliments semblent de piètre qualité, jeter les aliments.

**REMARQUE :** Avant d'exécuter tout type d'installation ou de nettoyage, retirer la grille supérieure et mettre l'interrupteur général d'alimentation à OFF (arrêt) ou déconnecter le courant au boîtier de disjoncteurs. Une fois terminé, mettre l'interrupteur général d'alimentation à ON (marche) ou rétablir le courant au boîtier de disjoncteurs. Puis placer de nouveau la commande au réglage désiré.



- B. 77 po (1956 mm) du plancher
- C. Depuis le côté droit de l'ouverture de l'armoire.

Modèle	Dimension de l'emplacement Électrique (A)
42 po	7 ½ po (191 mm)

### SPÉCIFICATIONS DE L'ALIMENTATION EN EAU

#### IMPORTANT :

- Toutes les installations doivent être conformes aux exigences des codes locaux de plomberie.
- Raccorder à la canalisation d'arrivée d'eau potable uniquement.

#### Pression d'eau

Une alimentation en eau froide avec une pression entre 30 lb/po<sup>2</sup> et 120 lb/po<sup>2</sup> (207 kPa et 827 kPa) est nécessaire pour faire fonctionner le distributeur d'eau et la machine à glaçons. Pour toute question au sujet de la pression de l'eau, faire appel à un plombier qualifié agréé.

**REMARQUE :** Si la pression en eau est inférieure aux critères minimaux, le débit du distributeur d'eau pourrait diminuer ou entraîner la formation de glaçons creux ou de forme irrégulière. Pour toute question au sujet de la pression de l'eau, faire appel à un plombier qualifié agréé.

#### Alimentation en Eau Par Osmose Inverse

**IMPORTANT :** La pression de l'alimentation en eau entre le système d'osmose inverse et le robinet d'arrivée d'eau du réfrigérateur doit être entre 30 lb/po<sup>2</sup> et 120 lb/po<sup>2</sup> (207 kPa à 827 kPa).

Si un système de filtration de l'eau par osmose inverse est raccordé à votre alimentation en eau froide, la pression de l'eau au système doit être d'un minimum de 40 lb/po<sup>2</sup> à 60 lb/po<sup>2</sup> (276 kPa à 414 kPa).

Si la pression d'eau au système de filtration par osmose inverse est inférieure à 40 lb/po<sup>2</sup> à 60 lb/po<sup>2</sup> (276 kPa à 414 kPa) :

- Vérifier que le filtre à sédiment dans le système à osmose inverse n'est pas obstrué. Remplacer le filtre si nécessaire.
- Laisser le réservoir du système d'osmose inverse se remplir après une utilisation intense.
- Si le réfrigérateur comporte un filtre à eau, celui-ci peut réduire la pression de l'eau lorsqu'il est utilisé avec un système d'osmose inverse. Enlever la cartouche de filtre à eau.

Pour toute question au sujet de la pression de l'eau, faire appel à un plombier qualifié agréé.

### Robinet d'arrêt

#### IMPORTANT :

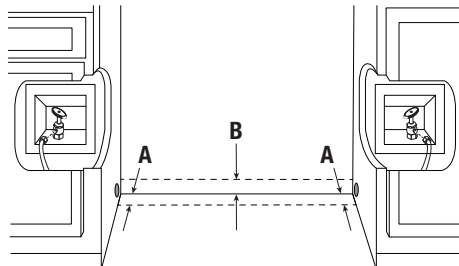
- Maintenir les robinets et les conduites d'eau à une température supérieure à 0 °C (32 °F) afin d'éviter leur gel.
- Si un robinet d'arrêt se trouve dans un mur situé derrière le réfrigérateur, il n'y a pas suffisamment d'espace pour une installation en affleurement.
- Le robinet d'arrêt doit être situé dans l'armoire inférieure d'un côté ou l'autre du réfrigérateur, ou à un autre endroit facilement accessible. Le côté droit est recommandé. Le trou d'accès à travers l'armoire doit se trouver à moins de 1/2 po (12,7 mm) du mur arrière.

**REMARQUE :** Si le robinet d'arrêt se trouve dans la paroi arrière derrière le réfrigérateur, il doit être incliné afin que le tube ne soit pas plié lorsque le réfrigérateur est poussé à son emplacement final.

- Si le robinet d'arrêt ne se trouve pas dans les armoires, la plomberie d'arrivée d'eau peut provenir du plancher. Un trou de 1/2 po (12,7 mm) pour la plomberie doit être percé à 6 po (152 mm) minimum de l'armoire de gauche ou de droite ou du panneau. Sur le plancher, le trou ne doit pas se trouver à plus de 1 po (25,4 mm) du mur arrière. Voir la section « Raccordement à la canalisation d'eau. »
- Si un tube supplémentaire est nécessaire, utiliser un tube en cuivre et vérifier s'il y a des fuites. Installer les tuyaux en cuivre seulement là où les températures domestiques resteront au-dessus du point de congélation.
- Ne pas employer de robinet d'arrêt à étrier de 3/16 po (4,76 mm) ou de type à percer – ils réduisent le débit d'eau et s'obstruent aussi plus facilement.

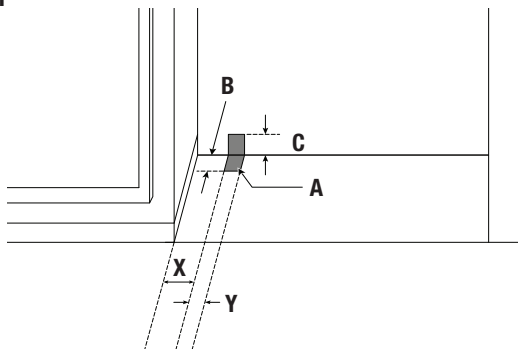
**REMARQUE :** Votre marchand de réfrigérateurs propose une trousse avec un robinet d'arrêt à étrier de 1/4 po (6,4 mm), un raccord et un tube en cuivre. Avant d'en faire l'achat, s'assurer que le robinet d'arrêt à étrier est conforme aux codes locaux de plomberie.

#### Style 1 : Emplacement du robinet d'arrêt dans l'armoire adjacente



- A. Le trou d'accès à la conduite d'eau doit être situé à moins de 1/2 po (13 mm) du mur arrière  
B. Le trou d'accès à la conduite d'eau doit être situé à moins de 1/2 po (13 mm) du plancher

#### Style 2 : Autre emplacement du robinet – plomberie par le plancher



- A. Zone de l'emplacement du trou de la conduite d'eau  
B. 2 po (50,8 mm)  
C. 3 3/4 po (95,3 mm)

**Installation standard :** Voir le panneau de l'armoire pour les mesures.

**Installation en chevauchement et en affleurement :** Voir le tasseau pour les mesures.

Modèle	X	Y
42 po	6 1/8 po (156 mm)	3 15/16 po (100 mm)

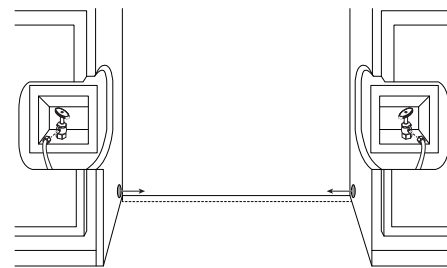
#### Localisation de la conduite d'eau

#### Pièces nécessaires

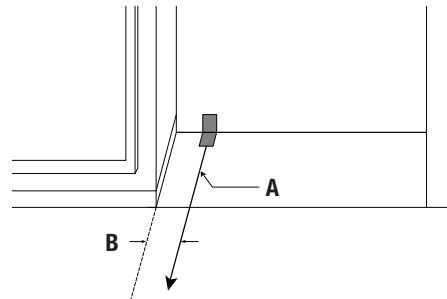
- Canalisation flexible d'alimentation en eau homologuée conformément aux codes en vigueur de 7 pi (2,13 m), selon l'emplacement du robinet d'arrêt.

#### Style 1 : Emplacement du robinet d'arrêt dans l'armoire adjacente

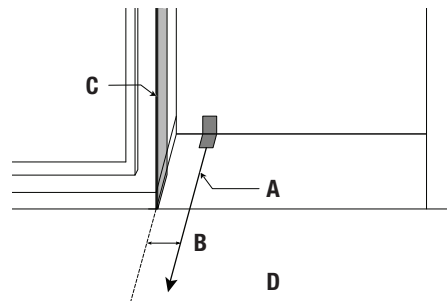
**Conduite d'eau :** Acheminer la conduite approuvée par le code depuis le robinet d'arrêt par le trou de l'armoire.



**IMPORTANT :** Passer la conduite d'eau le long du mur et la fixer avec du ruban adhésif afin d'éviter qu'elle ne s'entortille lors de la mise en place du réfrigérateur.



- A. Acheminement de la conduite d'eau  
B. 7 1/2 po (190 mm)



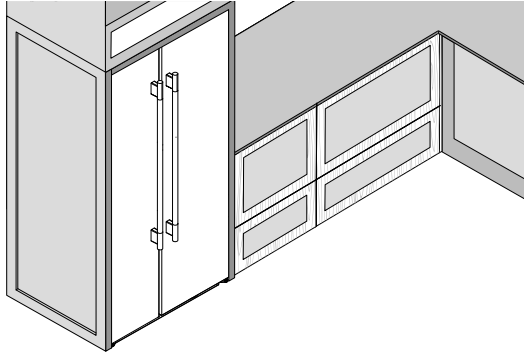
- A. Acheminement de la conduite d'eau  
B. 7 1/2 po (190 mm)  
C. Armoire du côté de 12 po (305 mm)  
D. Installation en affleurement ou avec chevauchement

**REMARQUE :** Laisser pendre un minimum de 26 po (660 mm) de la canalisation flexible d'alimentation en eau approuvée par les codes en vigueur à l'avant de l'ouverture d'encastrement de l'armoire pour le raccordement au réfrigérateur.

### OPCIONES DE INSTALACIÓN

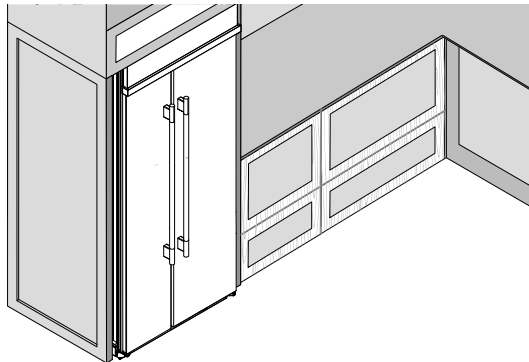
#### Peligro de Pellizco

**PRECAUCIÓN:** La instalación de paneles de puerta con menos de 3/8" (9,5 mm) entre el panel de la puerta y el gabinete adyacente aumenta el riesgo de posibles pellizcos.



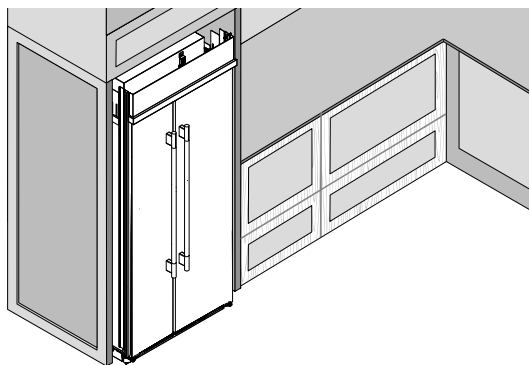
#### Enjuague

Refrigerador al ras de los gabinetes (con apertura máxima de la puerta ajustada a 110°). Esta instalación proporciona tacos laterales de 1" (25,4 mm).



#### Superposición

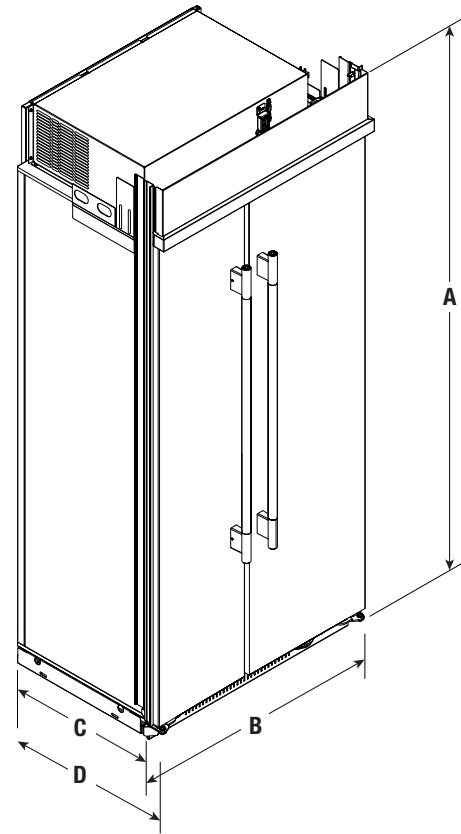
El refrigerador está a 7/8" (22 mm) de los gabinetes (con apertura máxima de la puerta ajustada a 110°). Esta instalación proporciona pantallas laterales de 11/16" (17,5 mm).



#### Estándar

El refrigerador está a 1 3/4" (44,4 mm) de los gabinetes.

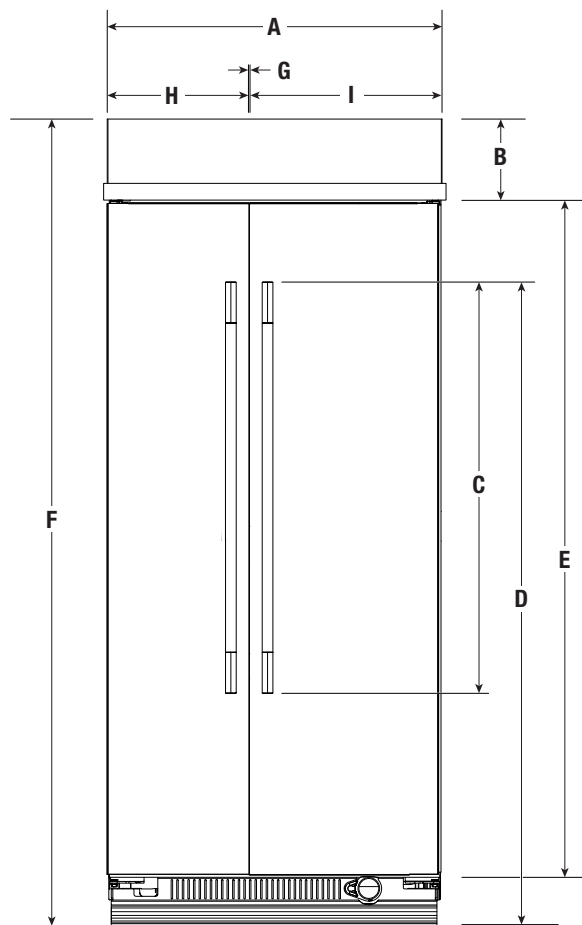
### DIMENSIONES DEL PRODUCTO



Dimensión		42" Modelo
A	Altura Total	83 1/4" (2114,6 mm)
B	Anchura Total	42 3/8" (1075,6 mm)
C	Profundidad Sin Manija	25 13/16" (655 mm)
D	Profundidad Con Manija	27 13/16" (706 mm)

Cuando las patas niveladoras están totalmente extendidas a 1 1/4" (32 mm) por debajo de las ruedas, agregue 1 1/8" (29 mm) a las medidas de altura.

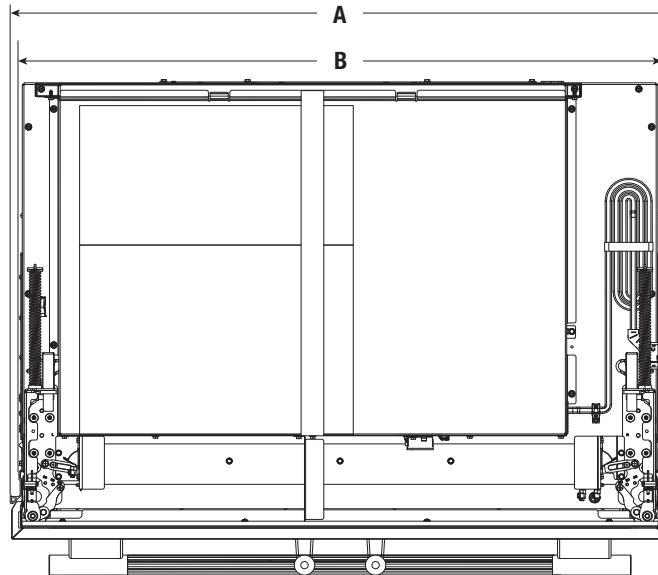
### Vista Frontal



	Descripción	Pulgadas	mm
A	Ancho Total	41 <sup>5</sup> / <sub>16</sub>	1050
B	Altura de la Rejilla Superior	8 <sup>15</sup> / <sub>16</sub>	226,9
C	Altura de la Manija	43 <sup>7</sup> / <sub>16</sub>	1103
D	Altura hasta la parte superior de la manija	66	1677
E	Altura de la Puerta	71	1803,7
F	Altura Total	83 <sup>1</sup> / <sub>4</sub>	2114,6
G	Separación de la Puerta	1/4	6,7
H	Ancho de la Puerta del Congelador	17 <sup>1</sup> / <sub>2</sub>	444,2
I	Ancho de Puertas del Refrigerador	23 <sup>1</sup> / <sub>2</sub>	596,5

Cuando las patas niveladoras están totalmente extendidas a 1<sup>1</sup>/<sub>4</sub>" (32 mm) por debajo de las ruedas, agregue 1<sup>1</sup>/<sub>8</sub>" (29 mm) a las medidas de altura.

### Vista Superior

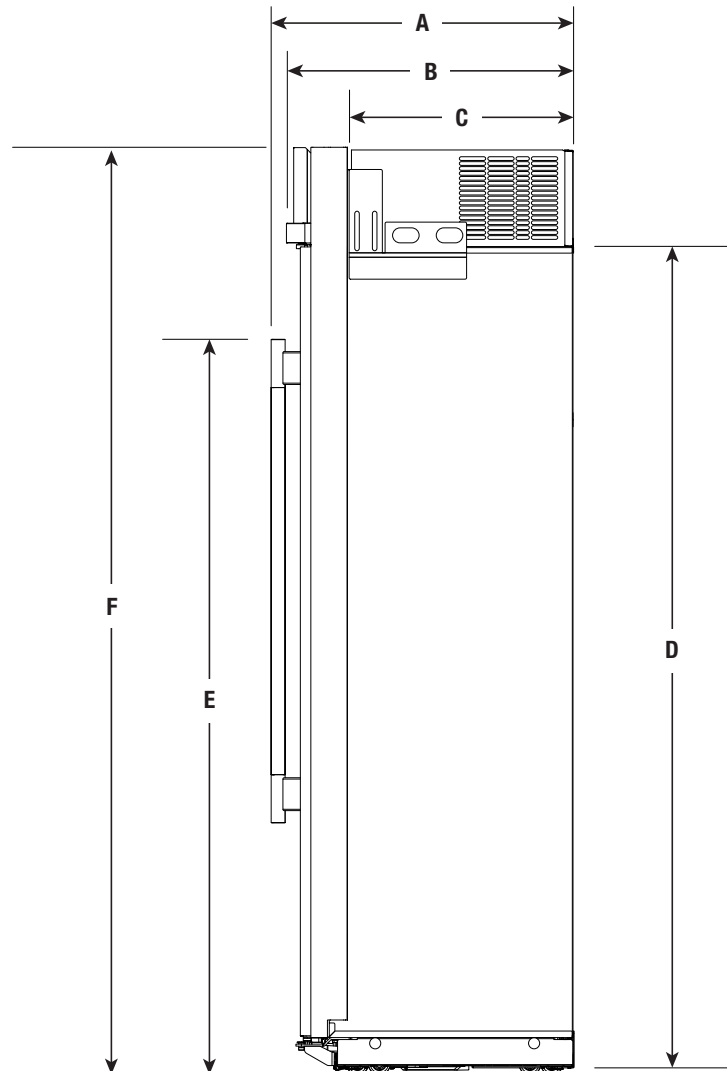


	Descripción	Pulgadas	mm
A	Ancho Total con Molduras	42 <sup>5</sup> / <sub>16</sub>	1075,5
B	Ancho Total	41 <sup>5</sup> / <sub>16</sub>	1050

**NOTA:** La dimensión de ancho total se mide desde el borde de moldura lateral hasta el otro borde de moldura lateral.

### Vista Lateral

- La profundidad desde la parte delantera de la rejilla superior hasta la parte posterior de la carcasa del refrigerador es de  $25\frac{13}{16}$ " (637,3 mm).
- El cable de alimentación es de 84" (2134 mm) de largo.
- Las medidas de altura que se muestran consideran las patas niveladoras extendidas a  $\frac{1}{8}$ " (3 mm) por debajo de las ruedas.

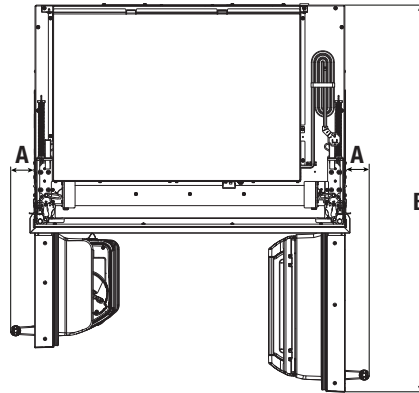


	Descripción	Pulgadas	mm
A	Profundidad con Manija	$27\frac{13}{16}$	706
B	Profundidad sin Manija	$25\frac{13}{16}$	655
C	Profundidad del Compartimento de la Máquina	$19\frac{7}{8}$	505
D	Altura del Gabinete	71	1804,2
E	Altura Hasta la Parte Superior de la Manija	66	1677
F	Altura Total	$83\frac{1}{4}$	2114,6

Cuando las patas niveladoras están totalmente extendidas a  $\frac{1}{4}$ " (32 mm) por debajo de las ruedas, agregue  $\frac{1}{8}$ " (29 mm) a las medidas de altura.

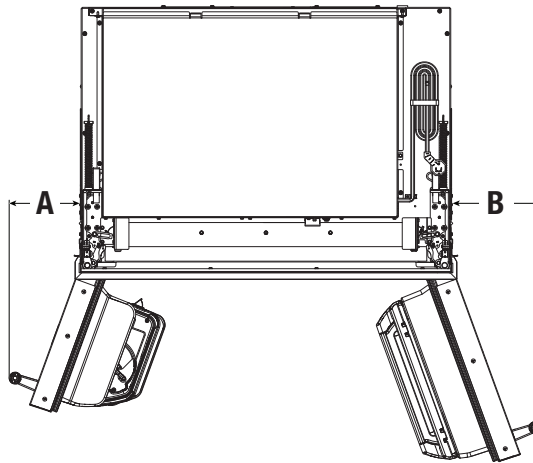
### Vista Superior

Oscilación de la puerta de 90°



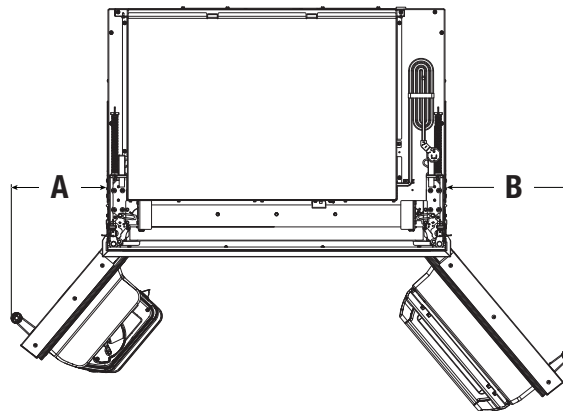
A. 2 $\frac{3}{4}$ " (69,9 mm)  
B. 47 $\frac{1}{4}$ " (1200 mm)

Oscilación de la puerta de 110°



A. 7 $\frac{5}{8}$ " (194 mm)  
B. 9 $\frac{1}{4}$ " (246,2 mm)

Oscilación de la puerta de 130°



A. 11 $\frac{9}{16}$ " (293 mm)  
B. 15 $\frac{3}{8}$ " (390,9 mm)

### REQUISITOS DE UBICACIÓN

#### ⚠️ ADVERTENCIA



#### Peligro de explosión

Mantenga los materiales y vapores inflamables, tales como la gasolina, alejados del electrodoméstico.

Use un limpiador no inflamable.

De lo contrario, esto puede ocasionar la muerte, explosiones o incendios.

**IMPORTANTE:** Este refrigerador fue diseñado únicamente para uso doméstico en interior.

Este electrodoméstico no solo está diseñado para usarse en un entorno doméstico y aplicaciones similares, como por ejemplo:

- Áreas de cocina para el personal en tiendas, oficinas y otros ambientes de trabajo.
- En granjas y por clientes de hoteles, moteles y otros ambientes de tipo residencial.
- Entornos tipo casa de huéspedes.
- Servicios de comida y otros negocios no minoristas.
- Respete todas las normativas y reglamentos vigentes.
- No se recomienda instalar cerca de un horno, radiador u otra fuente de calor.
- No instale en un lugar donde la temperatura pueda descender a menos de 55 °F (13 °C).
- El piso debe soportar el peso del refrigerador, más de 600 lb (272 kg), los paneles de puertas y el contenido del refrigerador. El piso que está debajo del refrigerador deberá estar al mismo nivel que el resto de la habitación. El frente de los gabinetes debe estar nivelado.
- La altura del techo deberá permitir que haya un arco de vuelco lateral. Consulte "Arco de Vuelco".
- La ubicación debe permitir la extracción de la rejilla superior. Consulte "Dimensiones de Apertura".

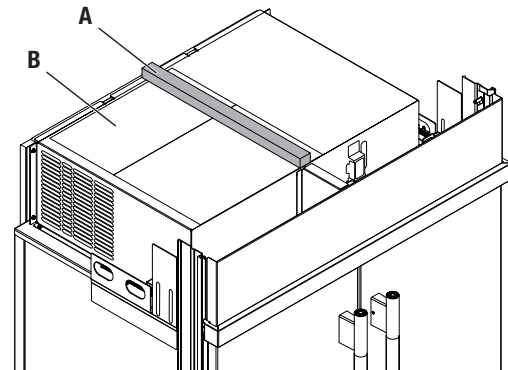
#### IMPORTANTE:

- El gabinete no debe estar hecho de material de fibra prensada como MDF (fibropanel de densidad media).
- El panel inferior debe estar hecho de madera contrachapada de 3/4" (19 mm).
- El panel inferior de madera contrachapada de 3/4" (19 mm) debe extenderse lateralmente para contactar directamente los paneles laterales izquierdo y derecho y estar firmemente asegurado a lo largo de su profundidad.

### DIMENSIONES DE APERTURA

**IMPORTANTE:** Se debe dejar un espacio de 3/4" (19 mm) por encima de la rejilla superior para poder instalarla y extraerla.

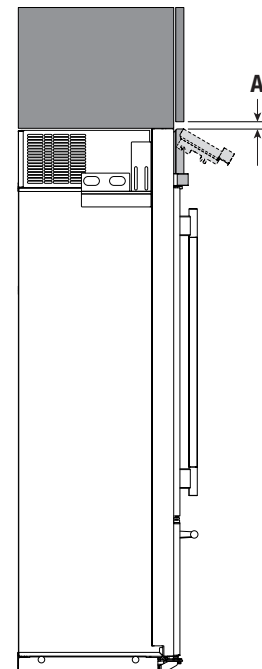
No quite la junta de espuma de la parte superior de la tapa del compresor a menos que esto sea necesario para colocar la unidad debajo de un plafón. La extracción de la junta reducirá la eficiencia de refrigeración.



A. Junta

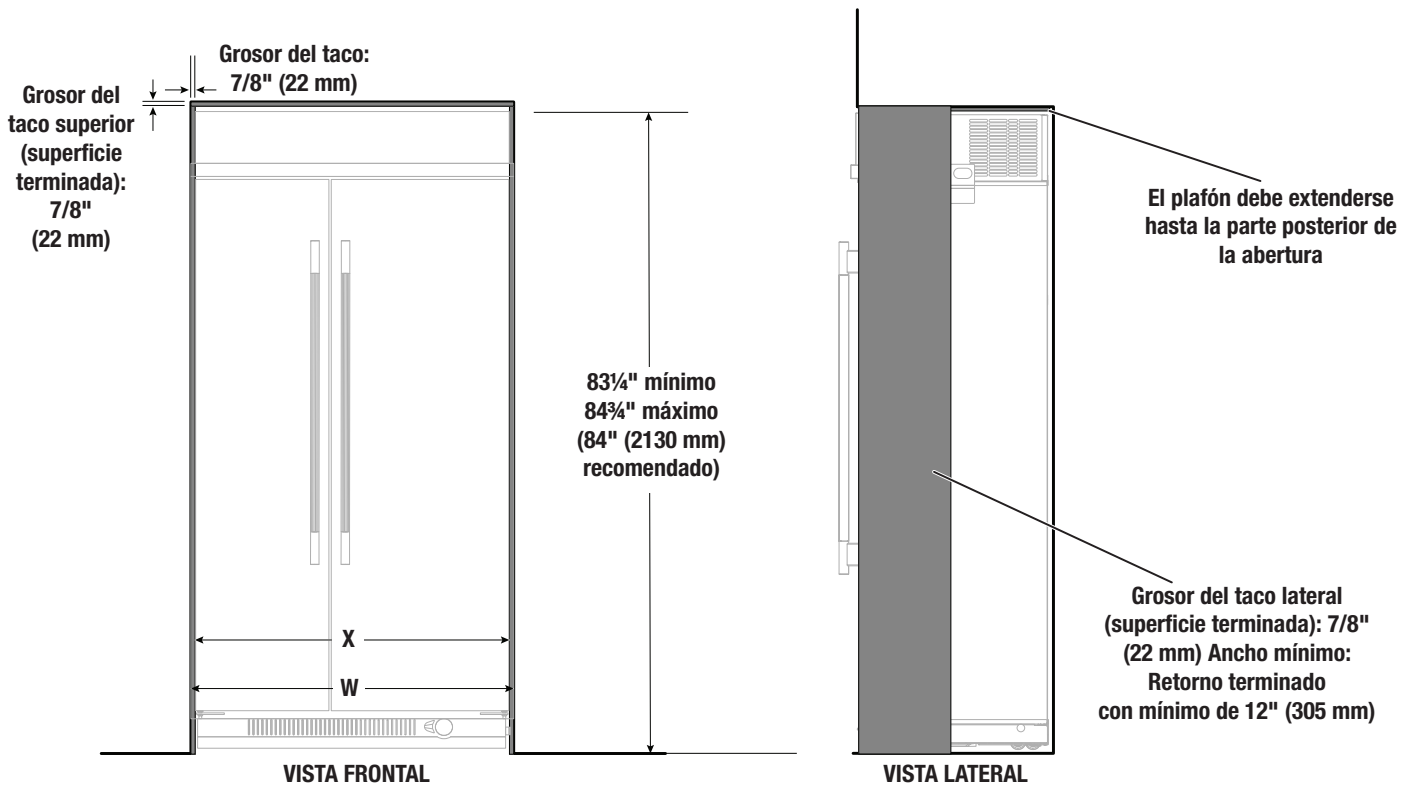
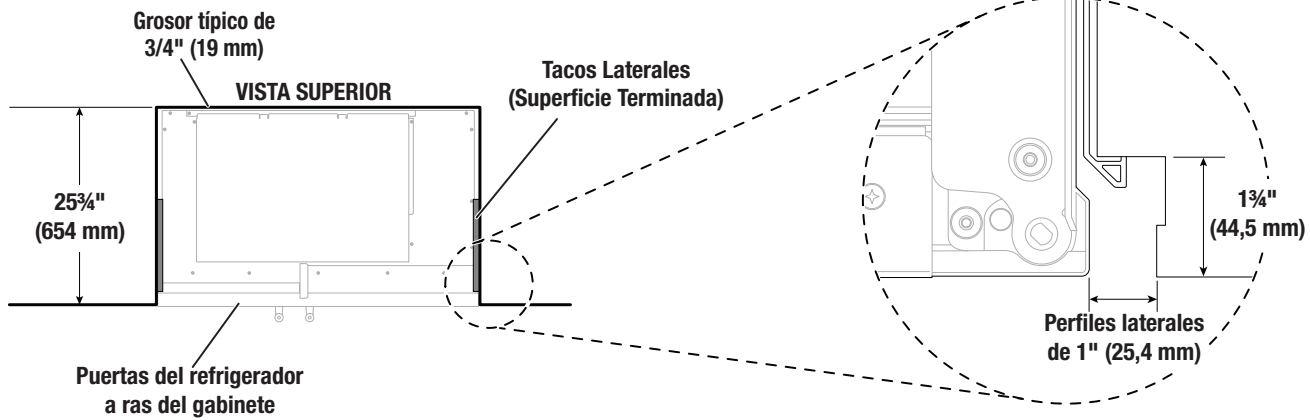
B. Tapa del Compresor

- Un contacto de tres terminales con conexión a tierra debe estar ubicado dentro de una medida específica de pulgadas desde los gabinetes del lado derecho o del panel del extremo. Consulte la tabla que sigue a la ilustración para ver la medida en pulgadas necesaria para su modelo. Para obtener más información, consulte "Requisitos eléctricos".
- El cierre del agua deberá estar localizado en la base del gabinete, a cualquier lado del refrigerador o en algún otro lugar de fácil acceso. Si la válvula de cierre del agua no está en los gabinetes, el tubo para la línea del agua puede llegar a través del piso. Consulte "Requisitos del suministro de agua" para obtener más información.



A. Espacio de 3/4" (19 mm) para quitar la rejilla superior

### Instalación empotrada (profundidad del gabinete 25<sup>3</sup>/<sub>4</sub>" [654 mm])

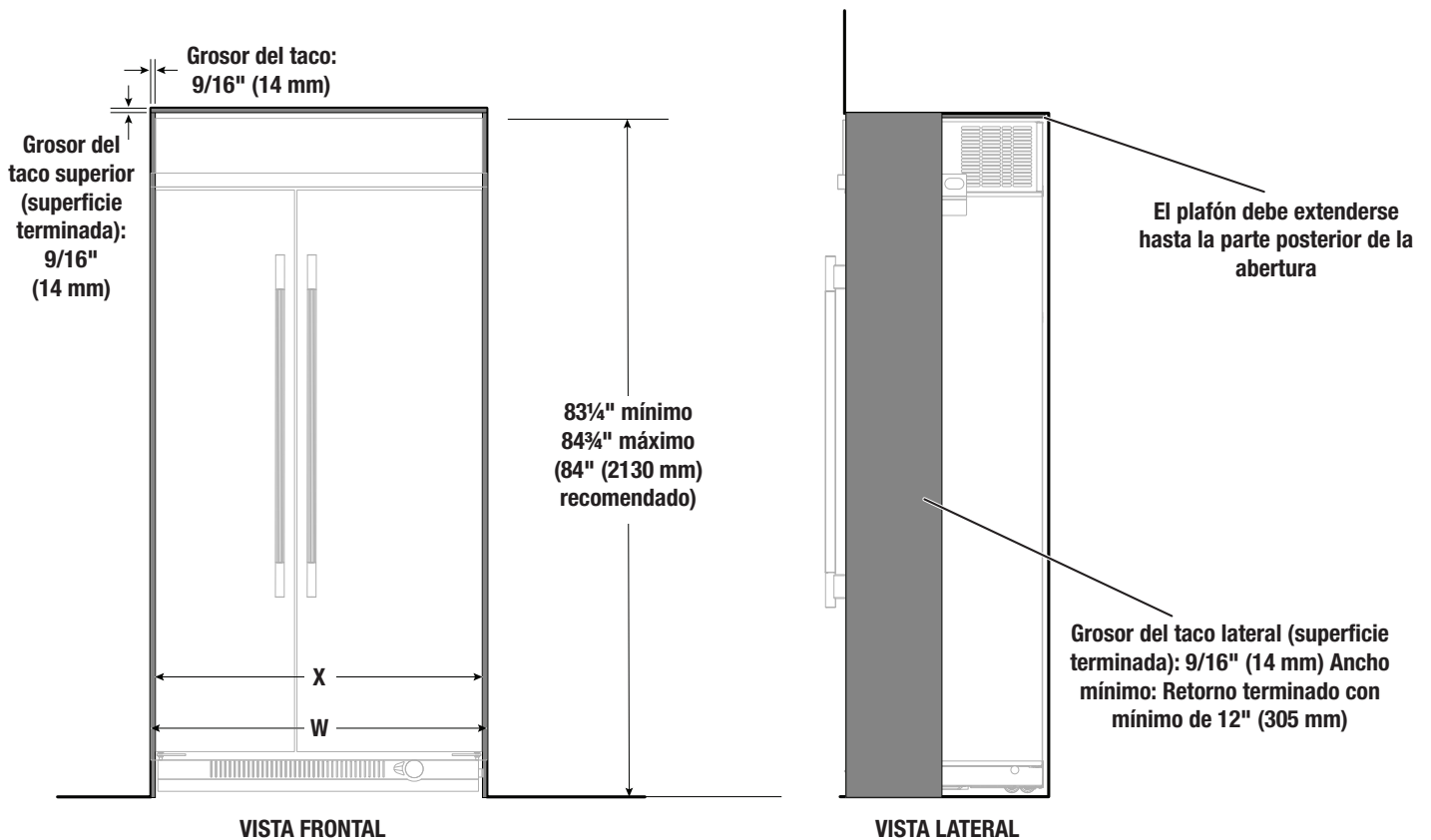
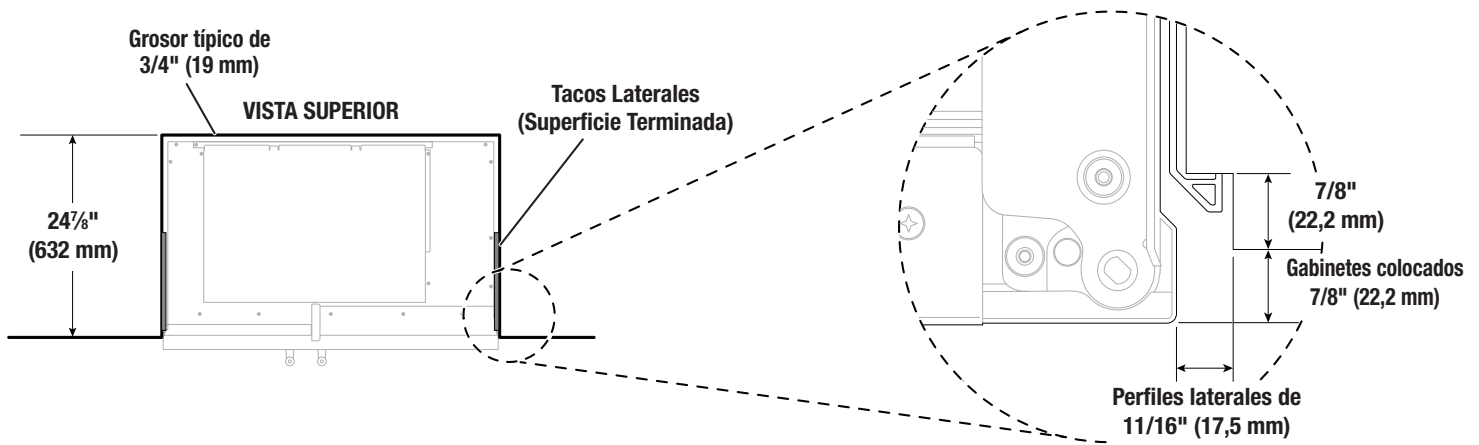


Modelo	Ancho Total de la Apertura (W)	Ancho Entre Tacos (X)
42"	43 <sup>1</sup> / <sub>4</sub> " a 43 <sup>1</sup> / <sub>2</sub> " (1098 mm to 1105 mm)	41 <sup>1</sup> / <sub>2</sub> " a 41 <sup>3</sup> / <sub>4</sub> " (1054 mm to 1061 mm)

#### NOTA:

- Después de la instalación, los tacos laterales de 7/8" (22 mm) son visibles desde el frente.
- El gabinete debe tener un anclaje de soporte de resistencia estructural del refrigerador.
- La apertura máxima permitida de la puerta en la instalación empotrada es de 110°.
- Se requiere un mínimo de retorno terminado de 12" (304,8 mm) (con cara cosmética) en el gabinete y un mínimo de 3/4" (19 mm) de espesor de construcción de paneles.

### Instalación superpuesta (profundidad del gabinete de 24<sup>7</sup>/<sub>8</sub>" [632 mm])

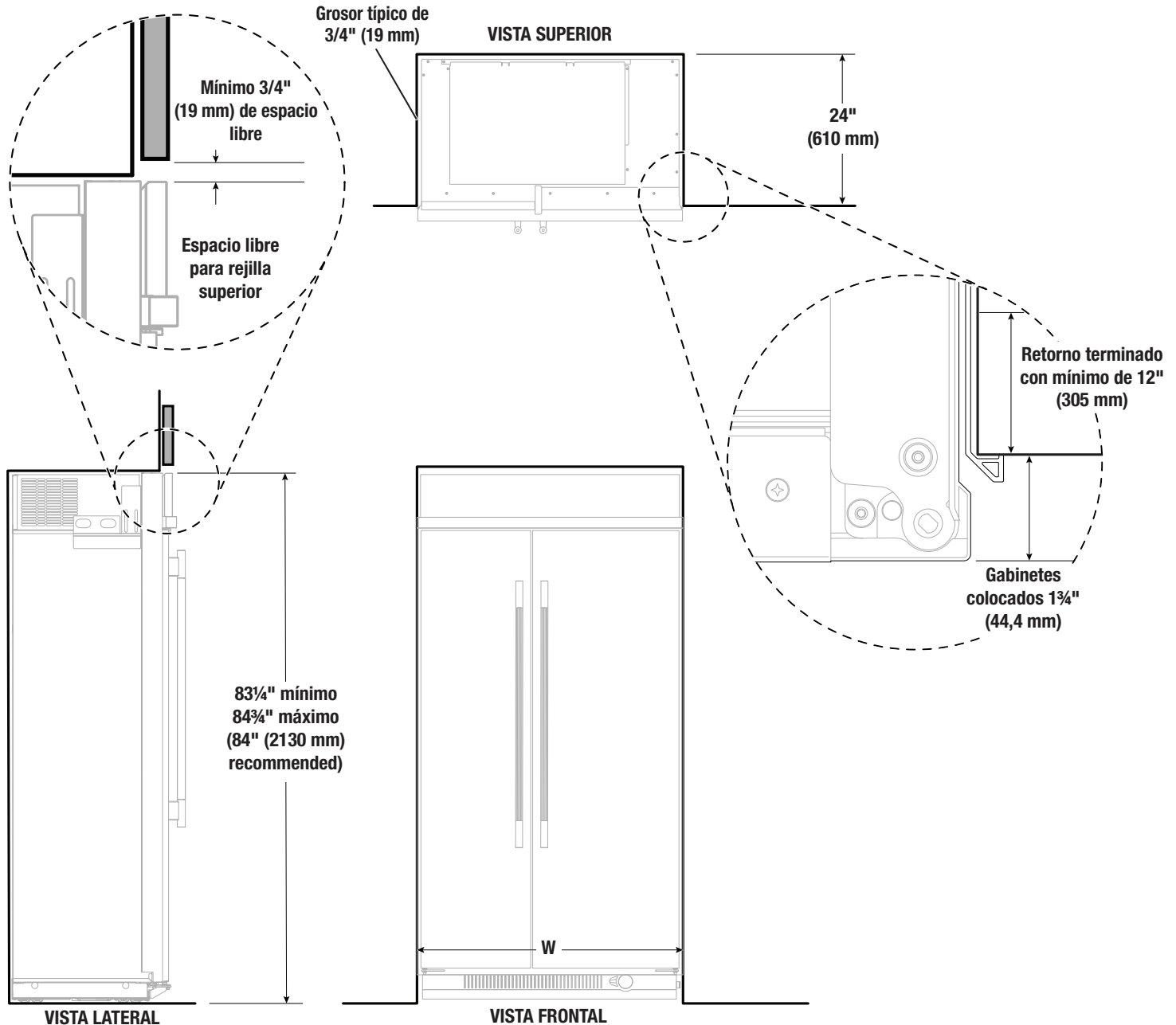


Modelo	Anchura Total de la Abertura (W)	Anchura Entre Tacos (X)
42"	42 <sup>5</sup> / <sub>8</sub> " a 42 <sup>7</sup> / <sub>8</sub> " (1082 mm a 1089 mm)	41 <sup>1</sup> / <sub>2</sub> " a 41 <sup>3</sup> / <sub>4</sub> " (1054 mm a 1061 mm)

- NOTA:**
- Después de la instalación, los tacos laterales de 9/16" (14 mm) son visibles desde el frente.
  - El gabinete debe otorgar soporte estructural para anclar el refrigerador firmemente.
  - La apertura máxima permitida de la puerta en la instalación empotrada es de 110°.
  - Se requiere un mínimo de retorno terminado de 12" (304,8 mm) (con cara cosmética) en el gabinete y un mínimo de 3/4" (19 mm) de espesor de construcción de paneles.

### Instalación estándar (profundidad del gabinete de 24" [610 mm])

**IMPORTANTE:** Los paneles laterales de los gabinetes se utilizarán para fijar el electrodoméstico para mayor estabilidad.



Modelo	Anchura de la Abertura (W)
42"	41½" a 41¾" (1054 mm a 1061 mm)

**NOTA:** Se requiere un mínimo de retorno terminado de 12" (304,8 mm) (con cara cosmética) en el gabinete y un mínimo de 3/4" (19 mm) de espesor de construcción de paneles. El gabinete debe tener un anclaje de soporte de resistencia estructural del refrigerador.

### REQUISITOS ELÉCTRICOS

#### ⚠️ ADVERTENCIA



#### Peligro de Choque Eléctrico

Conecte a un contacto de pared de conexión a tierra de 3 terminales.

No quite la terminal de conexión a tierra.

No use un adaptador.

No use un cable eléctrico de extensión.

No seguir estas instrucciones puede ocasionar la muerte, incendio o choque eléctrico.

Antes de mover el refrigerador a su ubicación final, es importante asegurarse de tener la conexión eléctrica adecuada.

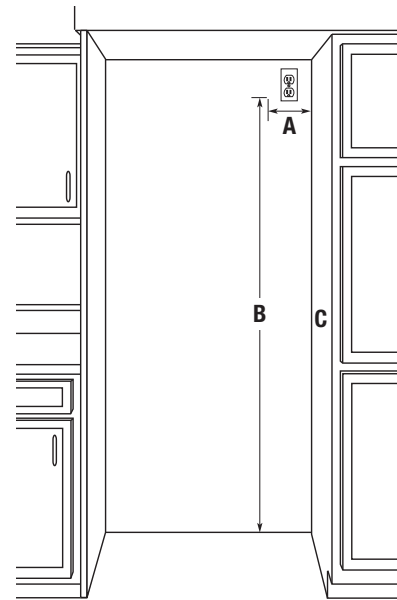
Si el cable de alimentación está dañado, comuníquese con el fabricante, un centro de servicio autorizado o un técnico calificado para que lo reemplacen de forma segura. No use un cable que presente grietas o daño por desgaste a lo largo, en el enchufe o en la punta de la conexión.

#### Método de conexión a tierra recomendado

Se requiere un suministro eléctrico de 115 V, 60 Hz CA solamente, con fusibles de 15 A o 20 A, debidamente conectado a tierra. Se recomienda proporcionar un circuito de alimentación separado que preste servicio solo al refrigerador y a los accesorios aprobados. Use un tomacorriente que no se pueda apagar con un interruptor.

**IMPORTANTE:** Si este producto está conectado a un tomacorriente protegido con GFCI (Ground Fault Circuit Interrupter- Interruptor de circuito de falla eléctrica de puesta a tierra), puede ocurrir un disparo molesto del suministro de energía, lo que resultará en la pérdida de refrigeración. Esto puede afectar a la calidad y el sabor de los alimentos. Si ha ocurrido una desconexión molesta, y el alimento aparenta estar en malas condiciones, deshágase del mismo.

**NOTA:** Antes de realizar cualquier tipo de instalación o limpieza, quite la rejilla superior y gire el interruptor principal de alimentación a la posición OFF (Apagar) o desconecte la energía eléctrica en la caja de disyuntores. Cuando haya terminado, ON (Encienda) el interruptor principal de alimentación o reconecte la fuente de energía eléctrica en la caja de disyuntores. Después, restablezca el control en el ajuste deseado.



B. 77" (1956 mm) desde el piso

C. Desde el lado derecho de la abertura del gabinete.

Modelo	Dimensión de Instalación Eléctrica (A)
42"	7½" (191 mm)

### REQUISITOS DEL SUMINISTRO DE AGUA

#### IMPORTANTE:

- Todas las instalaciones deben hacerse de acuerdo con los requisitos locales de plomería.
- Conecte solamente a un suministro de agua potable.

#### Presión del Agua

Se necesita un suministro de agua fría con presión de agua entre 30 psi y 120 psi (207 kPa y 827 kPa) para hacer funcionar el despachador de agua y la fábrica de hielo. Si tiene preguntas acerca de la presión del agua, llame a un plomero competente calificado.

**NOTA:** Si la presión de agua es menor que la necesaria, el flujo de agua del despachador de agua podría disminuir o los cubitos de hielo podrían ser huecos o de forma irregular. Si tiene preguntas acerca de la presión del agua, llame a un plomero competente calificado.

#### Suministro de Agua por Ósmosis Inversa

**IMPORTANTE:** La presión del suministro de agua que sale de un sistema de ósmosis inversa y va a la válvula de entrada de agua del congelador tiene que estar entre 30 psi y 120 psi (207 kPa y 827 kPa).

Si el sistema de filtrado de agua por ósmosis inversa está conectado al suministro de agua fría, la presión de agua para el sistema de ósmosis inversa debe ser, como mínimo, de 40 psi y 60 psi (276 kPa y 414 kPa).

Si la presión del agua que llega al sistema de ósmosis inversa es inferior a 40 psi a 60 psi (276 kPa a 414 kPa):

- Verifique si el filtro de sedimentos del sistema de ósmosis inversa está bloqueado. Reemplácelo si es necesario.
- Deje que se vuelva a llenar el tanque de almacenamiento del sistema de ósmosis inversa después del uso intenso.
- Si el refrigerador tiene un filtro de agua, puede reducir la presión aún más si se usa junto con un sistema de ósmosis inversa. Quite el cartucho del filtro de agua.

Si tiene preguntas acerca de la presión del agua, llame a un plomero competente calificado.

### Válvula de Cierre de Agua

#### IMPORTANTE:

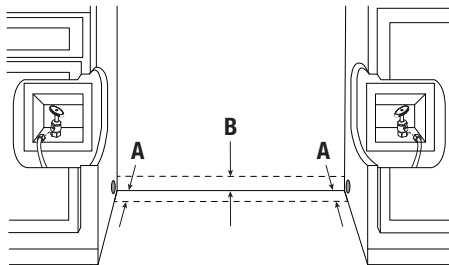
- Mantenga las válvulas/líneas de agua por encima de 32 °F (0 °C) para evitar la congelación.
- No habrá espacio suficiente para lograr una instalación alineada si la válvula de cierre de agua está ubicada en la pared que está detrás del refrigerador.
- El cierre del agua deberá estar localizado en la base del gabinete, a cualquier lado del refrigerador o en algún otro lugar de fácil acceso. Recomendamos el lado derecho. El orificio de acceso a través del gabinete deberá estar a 1/2" (12,7 mm) de la pared trasera.

**NOTA:** Si la válvula de cierre de agua está en la pared posterior detrás del refrigerador, deberá haber un ángulo de manera que el tubo no se doble cuando se empuje el refrigerador hacia su ubicación final.

- Si la válvula de cierre del agua no está en los gabinetes, el tubo para la línea del agua puede llegar a través del piso. Deberá taladrarse un orificio de 1/2" (12,7 mm) para la plomería de por lo menos 6" (152 mm) del lado derecho o izquierdo del gabinete o panel. En el piso, el orificio no debe estar a más de 1" (25,4 mm) de la pared trasera. Consulte "Conexión del suministro de agua".
- Si necesita tuberías adicionales, use tuberías de cobre y compruebe que no se produzcan fugas. Instale tubería de cobre solo en zonas donde la temperatura vaya a permanecer por encima del punto de congelación.
- No use una válvula perforadora o una de montura de 3/16" (4,76 mm) ya que reducen el flujo de agua y se obstruyen con más facilidad.

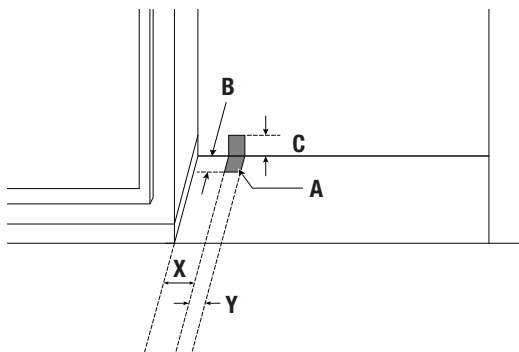
**NOTA:** El distribuidor de su refrigerador tiene disponible un kit de válvula de cierre tipo montura de 1/4" (6,4 mm), una unión y una tubería de cobre. Antes de comprar, asegúrese de que la válvula tipo montura cumple con los códigos de plomería locales.

### Estilo 1: Válvula de cierre ubicada en el gabinete adyacente



- A. El orificio de acceso a la tubería de agua deberá estar a 1/2" (13 mm) de la pared trasera.  
B. El orificio de acceso a la tubería de agua deberá estar a 1/2" (13 mm) del piso.

### Estilo 2: Ubicación Alternativa de la Válvula - Plomería a Través del Piso



- A. Zona de ubicación del orificio de la línea de agua  
B. 2" (50,8 mm)  
C. 3 3/4" (95,3 mm)

**Instalación Estándar:** Consulte el panel del gabinete para la medición.

**Instalación Superpuesta y Empotrada:** Consulte el taco para la medición.

Modelo	X	Y
42"	6 1/8" (156 mm)	3 15/16" (100 mm)

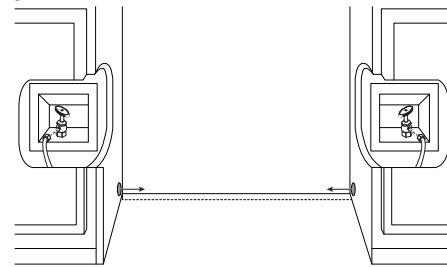
### Posición de la Línea de Agua

#### Piezas Necesarias

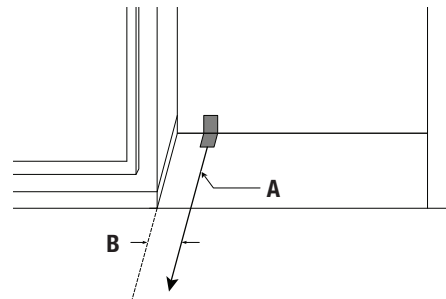
- Línea flexible de suministro de agua, con un mínimo de 7 pies (2,13 m), según lo aprobado en los códigos, según la posición de la válvula de cierre.

### Estilo 1: Válvula de Cierre Ubicada en el Gabinete Adyacente

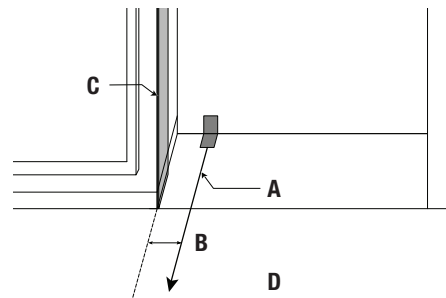
**Línea de Agua:** Enrute la línea aprobada por código desde el cierre a través del orificio del gabinete.



**IMPORTANTE:** Enrute y pegue la línea de agua a lo largo de la pared, para evitar que se retuerza durante la colocación del refrigerador.



- A. Línea de agua  
B. 7 1/2" (190 mm)



- A. Línea de agua  
B. 7 1/2" (190 mm)  
C. Gabinete lateral de 12" (305 mm)  
D. Instalación empotrada o Instalación superpuesta

**NOTA:** Deje un mínimo de 26" (660 mm) de línea flexible de suministro de agua aprobada según los códigos para que se extienda frente a la abertura del gabinete y se conecte al refrigerador.

